



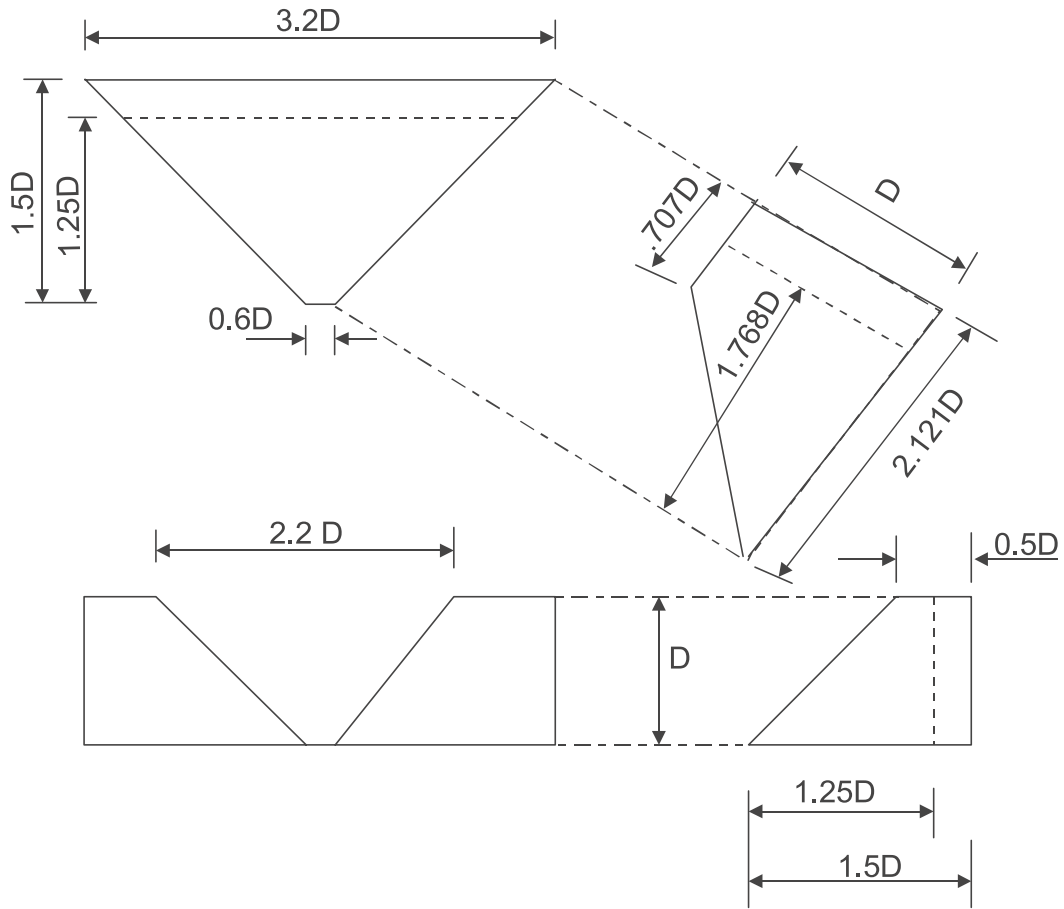
VIRTUAL POLYMER COMPOUNDS, LLC

10478 Ridge Road • Medina, New York 14103
 Phone: 585-735-9668 • Toll Free: 888-290-9522

Fax: 585-735-9965 • www.virtualpolymercompounds.com

Administrative Office: One John James Audubon Pkwy • Amherst, NY 14228

HL Flume Detail



Depth "D" Feet	D Feet	.2D Feet	.5D Feet	.707D Feet	1.25D Feet	1.5D Feet	1.768D Feet	2.121D Feet	2.2 Feet	3.2D Feet
2.00	2.00	0.40	0.20	1.414	2.500	3.00	3.536	4.2420	4.40	6.40
2.50	2.50	0.50	0.25	1.768	3.125	3.75	4.420	5.3025	5.50	8.00
3.00	3.00	0.60	0.30	2.121	3.750	4.50	5.304	6.3630	6.60	9.60
3.50	3.50	0.70	0.35	2.475	4.375	5.25	6.188	7.4235	7.70	11.20
4.00	4.00	0.80	0.40	2.828	5.000	6.00	7.072	8.4840	8.80	12.80