

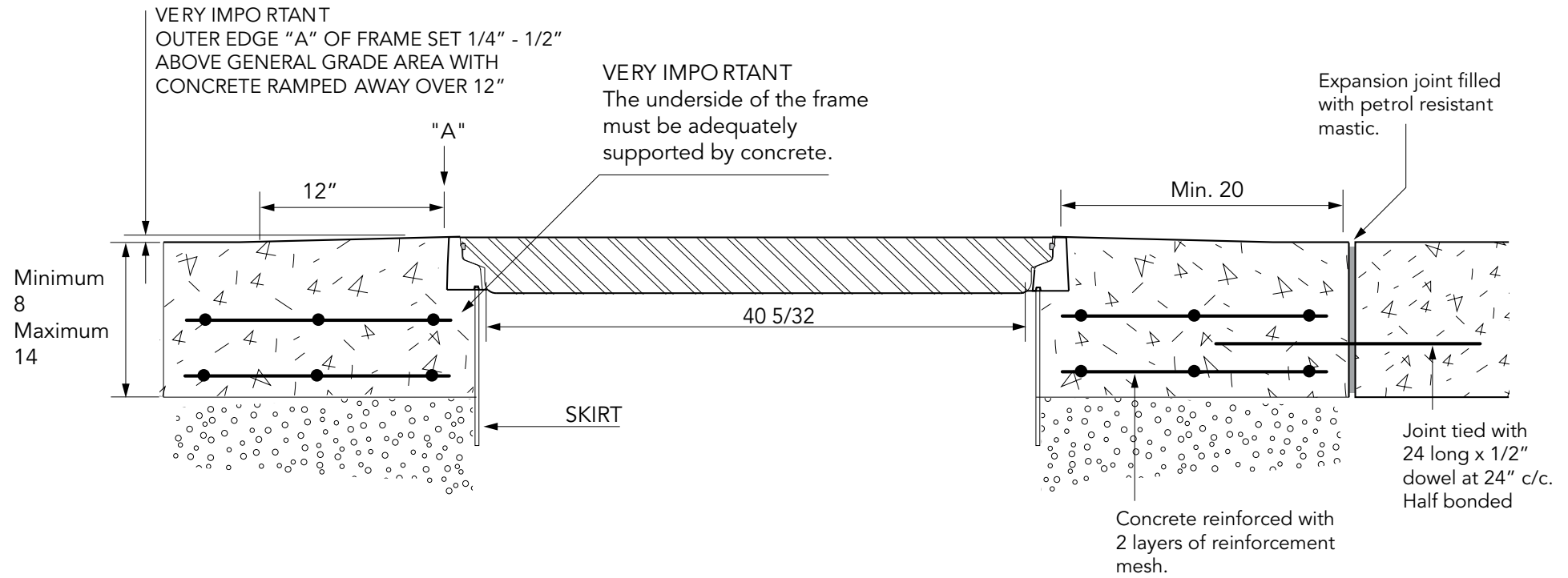
FL100 COVER

FL100 FRAME

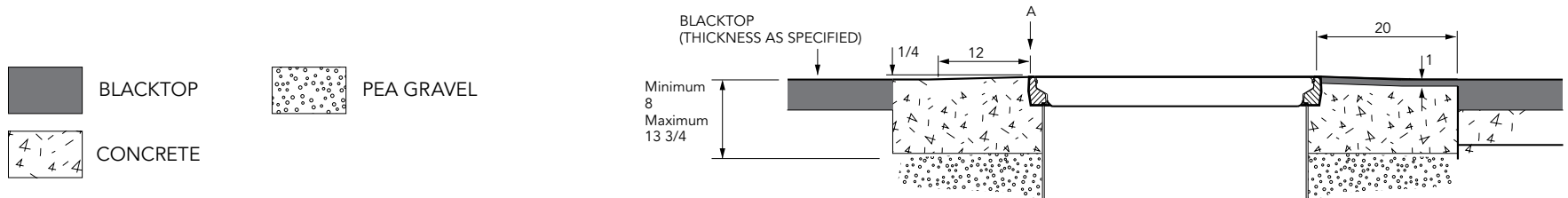


Category: ACCESS COVER AND FRAME		
Product Description: FL100 - 40" diameter flat sealed composite cover with a composite frame.		
Page No: 1	Product Code: FL100	Date: April 2012

CONCRETE



BLACKTOP



Category: **ACCESS COVER AND FRAME**

Product **FL100 - 40" diameter flat sealed composite cover with a composite frame.**
 Description:

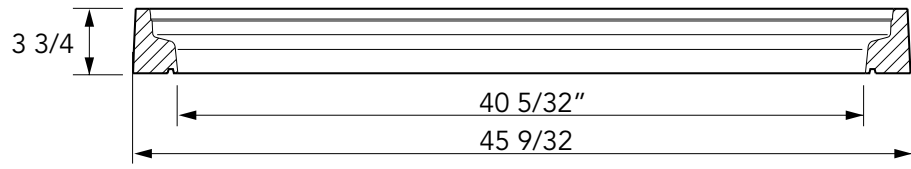
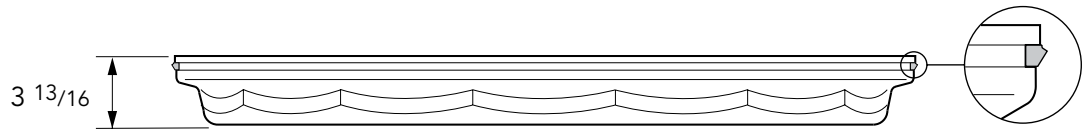
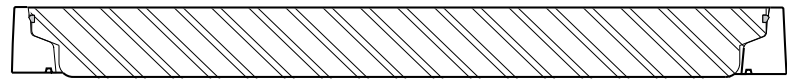
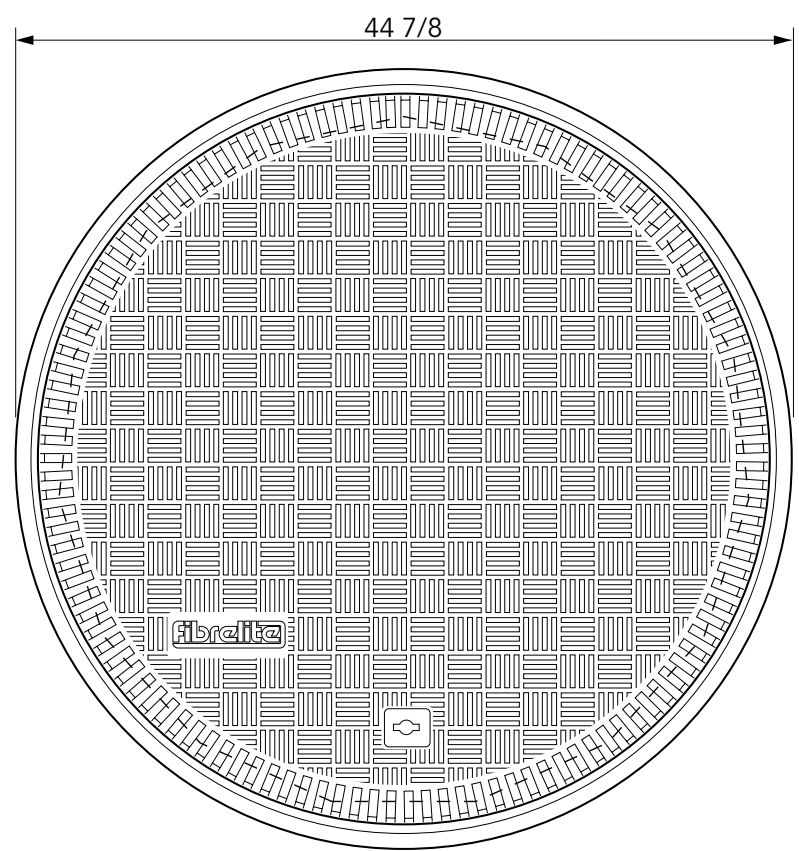
Page No: **2**

Product Code: **FL100**

Date: **April 2012**

For reference purposes only. This drawing is not a specification. Order against product code only.
 To enable continuous improvement of our products, the designs and specifications are subject to change without notice.

© COPYRIGHT



CODE	TEST LOAD	COVER WEIGHT	FRAME WEIGHT
FL100 C250	56,200 lbf	112 lbs	27 lbs
FL100 HD	89,900 lbf	140 lbs	27 lbs



Category: **ACCESS COVER AND FRAME**

Product Description: FL100 - 40" diameter flat sealed composite cover with a composite frame.

Page No: 3	Product Code: FL100	Date: April 2012
-------------------	----------------------------	-------------------------