

FL90 COVER

FL90 FRAME



Category: **ACCESS COVER & FRAME- SEALED**

Product Description: 36" diameter flat sealed composite cover with composite frame.

Page No: **1**

Product Code: **FL90**

Date: **April 2012**

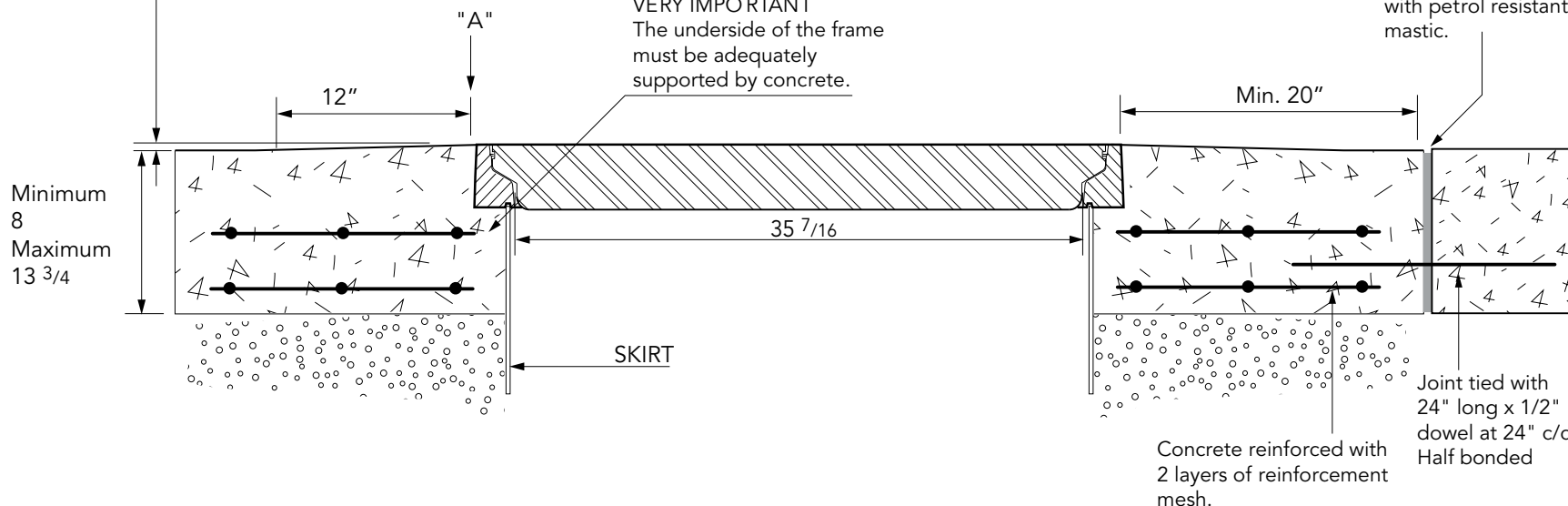
CONCRETE

VERY IMPORTANT

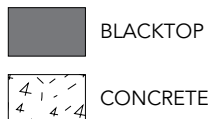
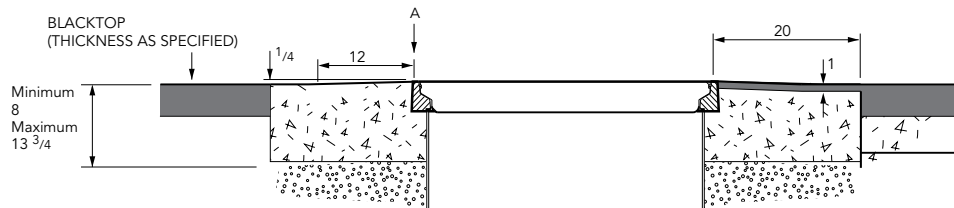
OUTER EDGE "A" OF FRAME SET $\frac{1}{4}$ " - $\frac{1}{2}$ " ABOVE GENERAL GRADE AREA WITH CONCRETE RAMPED AWAY OVER 12".

VERY IMPORTANT
 The underside of the frame must be adequately supported by concrete.

Expansion joint filled with petrol resistant mastic.



BLACKTOP



Category: **ACCESS COVER & FRAME- SEALED**

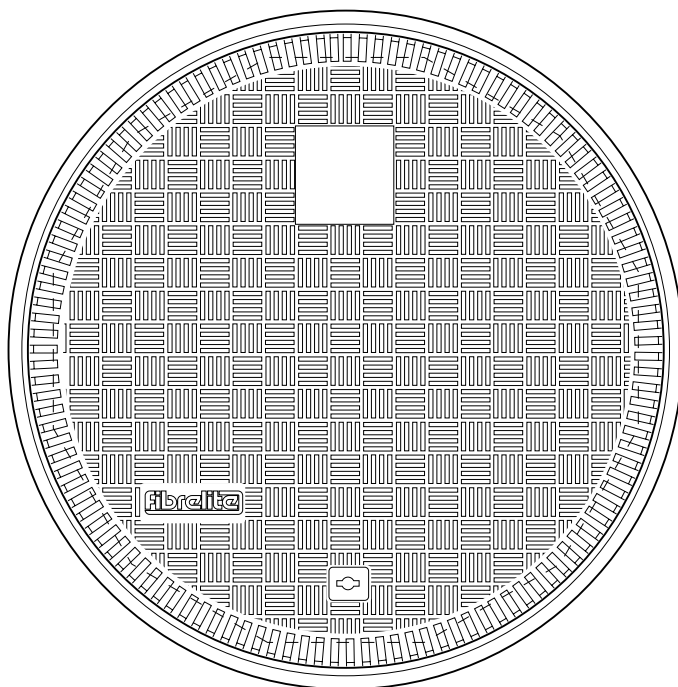
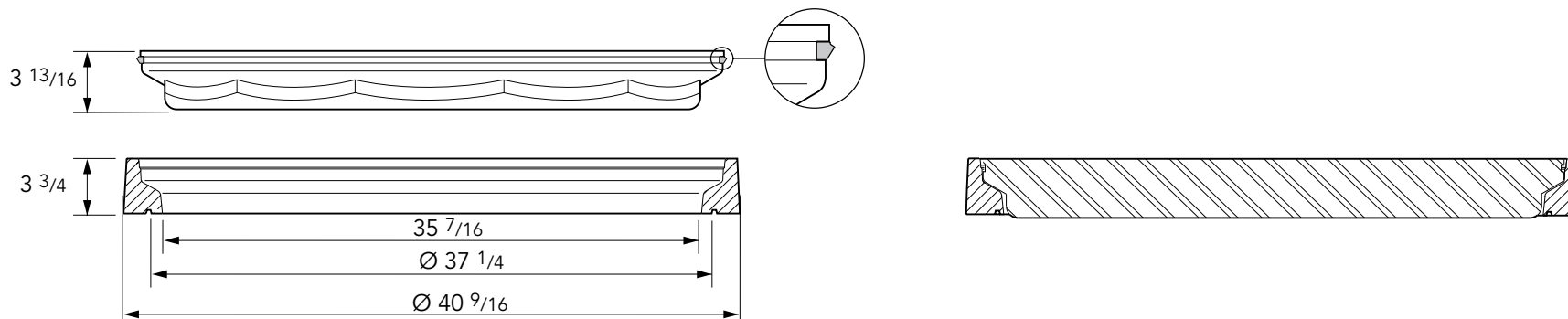
Product 36" diameter flat sealed composite cover with composite frame.
 Description:

Page No: **2**

Product Code: **FL90**

Date: **April 2012**





MODEL	TEST LOAD	COVER WEIGHT	FRAME WEIGHT
FL90	56,200 lbf	80 lbs	19.8 lbs
FL90HD	89,900 lbf	103 lbs	19.8 lbs



Category: **ACCESS COVER & FRAME- SEALED**

Product Description: 36" diameter flat sealed composite cover with composite frame.

Page No: **3**

Product Code: **FL90**

Date: **April 2012**