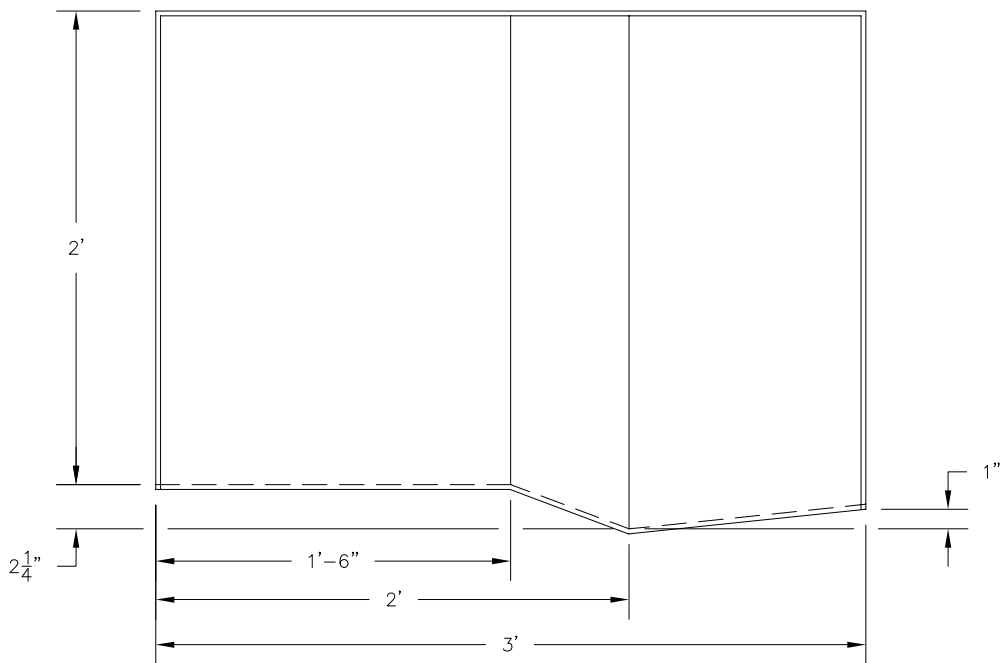
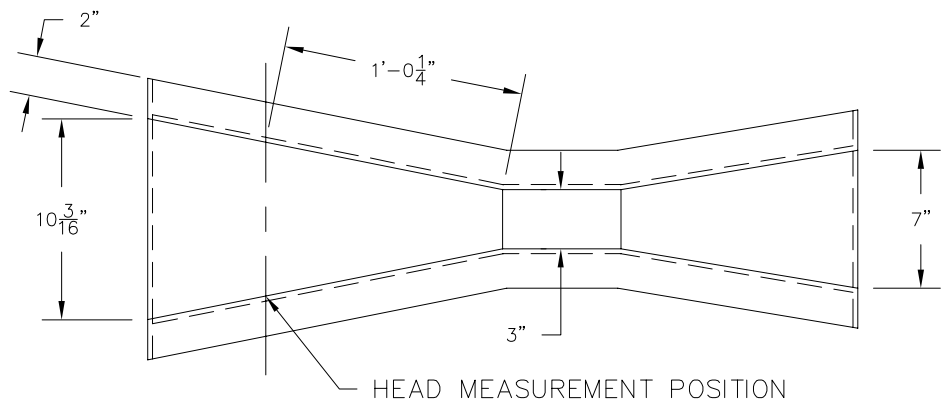


ITEM

QTY

DESCRIPTION



IMPORTANT NOTICE

VIRTUAL POLYMER COMPOUNDS, LLC
 WILL NOT PROCEED WITH FABRICATION UNTIL A
 SIGNED APPROVAL OF THIS DRAWING IS
 RECEIVED APPROVAL OR APPROVED AS NOTED
 (CIRCLE ONE)

BY: _____ DATE: _____

Rev.	DESCRIPTION	By	Date
-	ORIGINAL RELEASE	JFF	1/17/13



VIRTUAL POLYMER COMPOUNDS, LLC

10478 RIDGE ROAD, MEDINA, NEW YORK 14103

TOLL FREE: 888-290-9522 PHONE: 585-735-9668 FAX: 585-735-9965

TITLE:

3" PARSHALL FLUME

PROJECT:

SCALE: NONE

DATE:

1/17/13

PROJECT NO.: