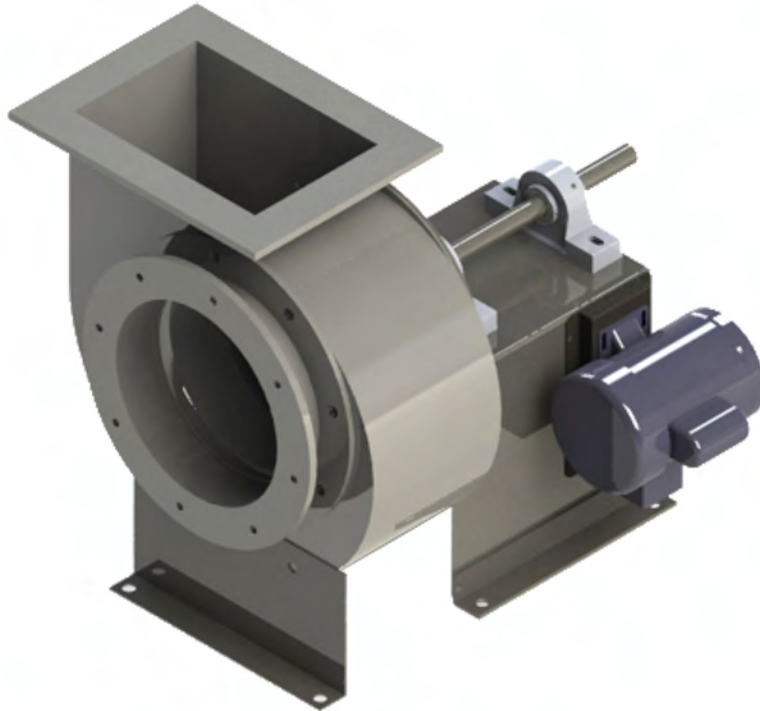


MODEL BIC

*Fiberglass Backward Inclined
Centrifugal Fan*



COMPOSITE FAN TECHNOLOGY



Composite Fan Technology manufactures a complete line of fiberglass fans. CFT fans are designed to achieve maximum corrosion resistance while offering rugged construction, ease of maintenance and efficient operation.

Standard Features

16 sizes available
(12 inches to 66 inches)

Capacities up to 90,000 CFM

Pressures up to 10" SP

Highly efficient backward inclined solid fiberglass impeller constructed out of Derakane 510A vinyl ester resin

Solid fiberglass housing constructed out of Hetron FR 650 polyester resin

All resin is fire retardant with a Class 1 flame spread of 25 or less per ASTM E-84

Standard housing color is gray

All resin contains UV inhibitor

C-glass surface veil on airstream surfaces

316 SST shaft

EPDM double lip shaft seal

1" NPT drain at low point

Heavy duty pillow block bearings

Galvanized belt and shaft guards

V-belt drive with 1.5 S.F. minimum

TEFC motor (1/2 HP minimum)

Available in Arr 1, 4, 8, 9, and 10.

Optional Accessories:

Static grounding of airstream, disconnect switches, channel base, vibration isolators, access door, FRP weather covers, housing split, inlet/outlet guards, exotic shaft material and or hardware available, custom colors, synthetic surface veil, inlet/outlet transitions, and custom resin formulations are available.



www.vpcfiberglass.com

Composite Fan Technology Division
Virtual Polymer Compounds
10478 Ridge Rd | Medina, NY 14103
Phone: 716-425-6078 | Fax: 585-735-9965