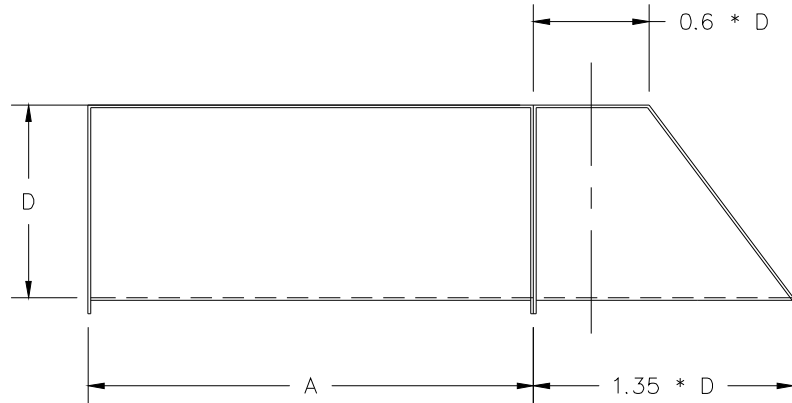
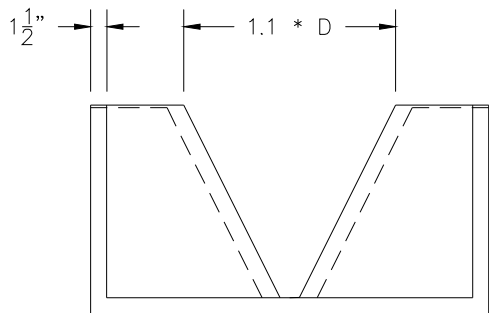
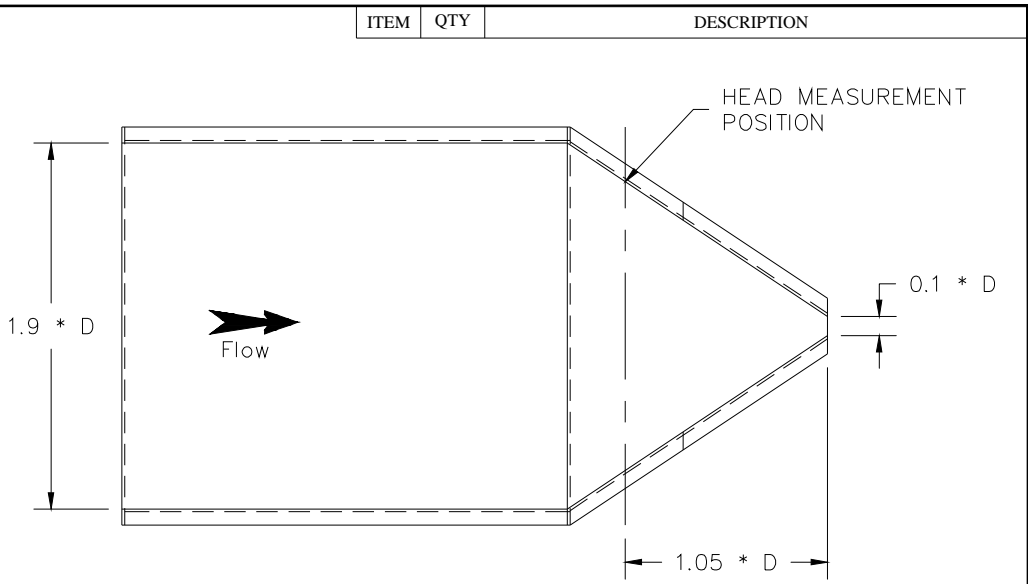


H-FLUME DIMENSIONS BY DEPTH (feet)							
D	0.1*D	0.6*D	1.05*D	1.1*D	1.35*D	1.9*D	A
.5	0.05	0.3	.525	.55	.675	.95	2.5
.75	0.075	0.45	.7875	.825	1.0125	1.425	3.75
1.0	0.1	0.6	1.05	1.1	1.35	1.9	5
1.5	0.15	0.9	1.575	1.65	2.025	2.85	4.5
2.0	0.20	1.2	2.1	2.2	2.7	3.8	6
2.5	0.25	1.5	2.625	2.75	3.375	4.75	7.5
3.0	0.30	1.8	3.15	3.3	4.05	5.7	9
4.5	0.45	2.7	4.725	4.95	6.075	8.55	13.5



	<b>VIRTUAL POLYMER COMPOUNDS, LLC</b> 10478 RIDGE ROAD, MEDINA, NEW YORK 14103 TOLL FREE: 888-290-9522 PHONE: 585-735-9668 FAX: 585-735-9965		
	TITLE: H-FLUME WITH APPROACH (OPTIONAL)		
PROJECT:			
SCALE: NONE	DATE: 1/23/13	PROJECT NO.:	

-	ORIGINAL RELEASE	JFF	1/23/13
<b>Rev.</b>	<b>DESCRIPTION</b>	<b>By</b>	<b>Date</b>