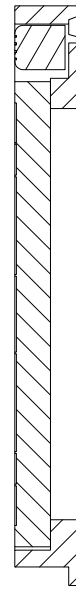
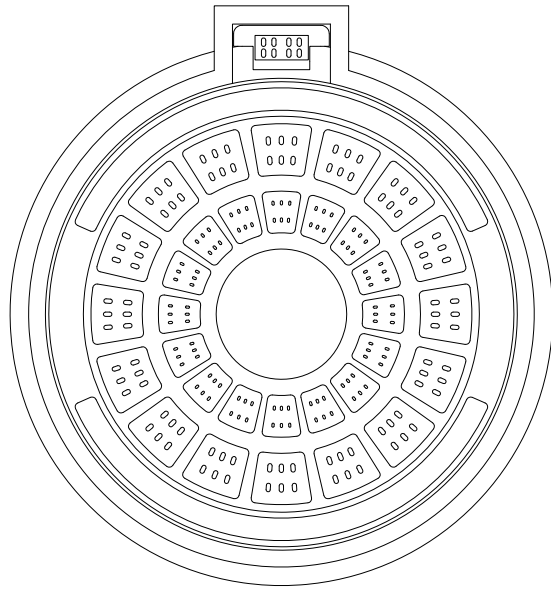
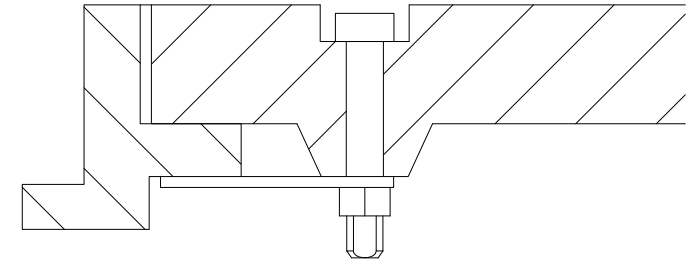


ITEM	QTY	DESCRIPTION
------	-----	-------------

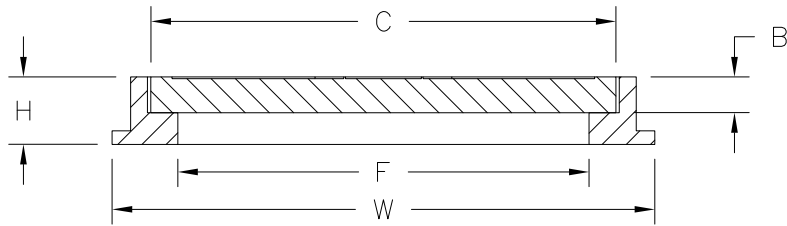
ASSEMBLY VIEW



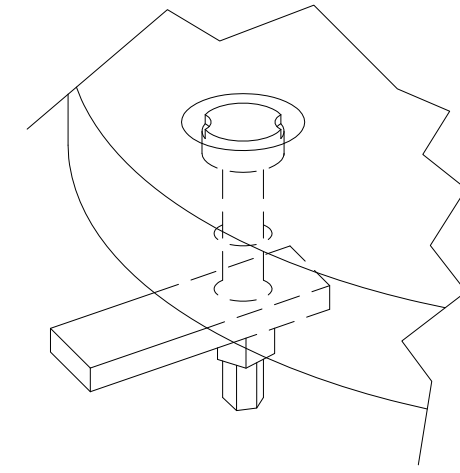
SECTION VIEW



LOCK DETAIL



SECTION VIEW



LOCK CUT AWAY DETAIL

PRODUCT SERIES	B	C	F	H	W	TOTAL WT. LBS	COVER WT. LBS
2000	2.00	27.17	23.62	4.00	32.28	117	65
3000	2.00	29.52	27.55	4.00	35.82	145	83

IMPORTANT NOTICE

VIRTUAL POLYMER COMPOUNDS, LLC WILL NOT PROCEED WITH FABRICATION UNTIL A SIGNED APPROVAL OF THIS DRAWING IS RECEIVED APPROVAL OR APPROVED AS NOTED (CIRCLE ONE)

BY: _____ DATE: _____

Rev.	DESCRIPTION	By	Date
-	ORIGINAL RELEASE	JFF	



VIRTUAL POLYMER COMPOUNDS, LLC

10478 RIDGE ROAD, MEDINA, NEW YORK 14103
TOLL FREE: 888-290-9522 PHONE: 585-735-9668 FAX: 585-735-9965

TITLE: HINGED MANHOLE COVER AND FRAME

PROJECT:

SCALE:

DATE:

PROJECT NO.: