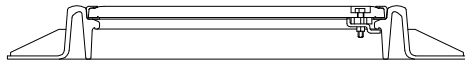
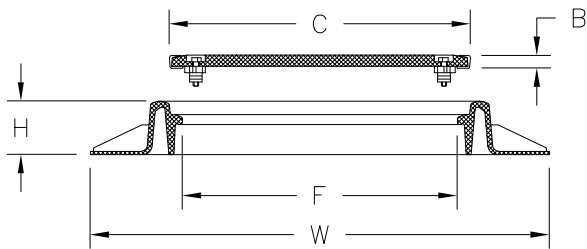
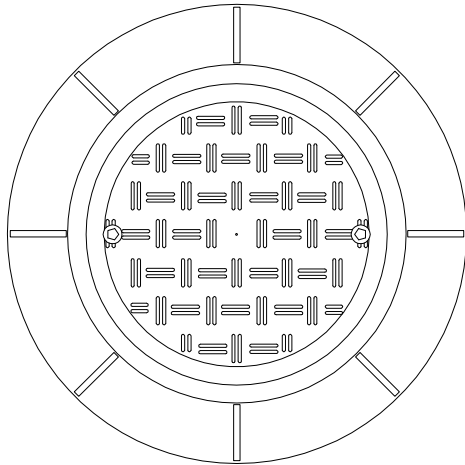


ITEM	QTY	DESCRIPTION
------	-----	-------------

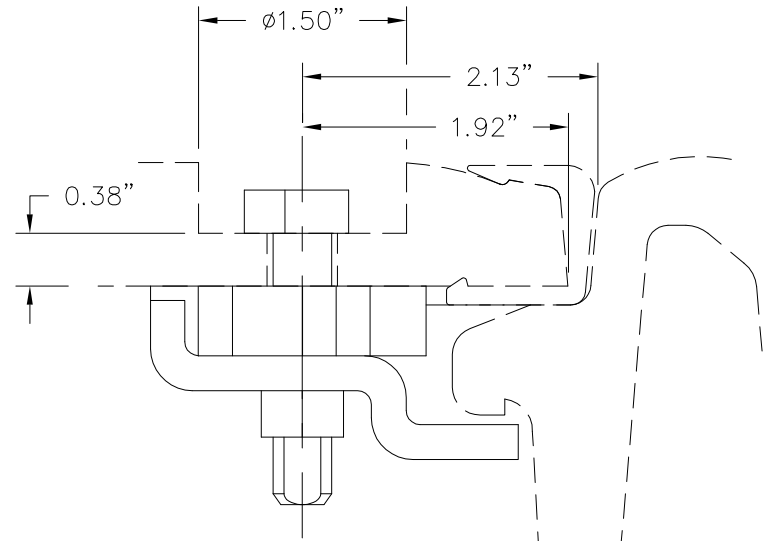


ASSEMBLY VIEW

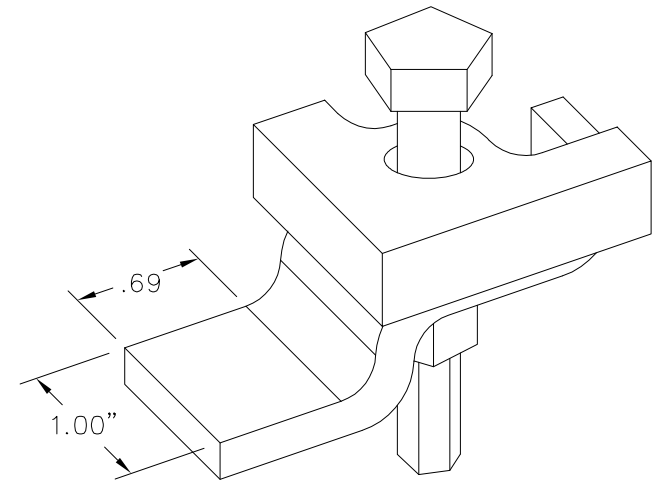


**SECTION VIEW
COVER REMOVED FOR CLARITY**

PRODUCT SERIES	B	C	F	H	W	TOTAL WT. LBS	COVER WT. LBS
2400	1.00	23.90	21.80	4.25	34.88	54	28
2600	1.25	26.38	24.25	4.25	37.00	60	30
3200	1.50	31.88	30.00	5.00	42.88	115	55
3800	1.50	37.88	36.00	6.25	47.00	140	75



**DETAIL
QUARTER TURN PADDLE LOCK**



IMPORTANT NOTICE

VIRTUAL POLYMER COMPOUNDS, LLC WILL NOT PROCEED WITH FABRICATION UNTIL A SIGNED APPROVAL OF THIS DRAWING IS RECEIVED APPROVAL OR APPROVED AS NOTED (CIRCLE ONE)

BY: _____ DATE: _____

Rev.	DESCRIPTION	By	Date
-	ORIGINAL RELEASE	JFF	

VPC VIRTUAL POLYMER COMPOUNDS, LLC
 10478 RIDGE ROAD, MEDINA, NEW YORK 14103
 TOLL FREE: 888-290-9522 PHONE: 585-735-9668 FAX: 585-735-9965

TITLE: MH COVER W/ QUARTER TURN PADDLE LOCK

PROJECT: _____

SCALE: _____ DATE: _____ PROJECT NO.: _____