

Category: **ACCESS COVER & FRAME - SEALED**

Product Description: 24" diameter flat sealed composite cover with a composite frame.

Page No: **1**

Product Code: **FL600**

Date: **May 2012**

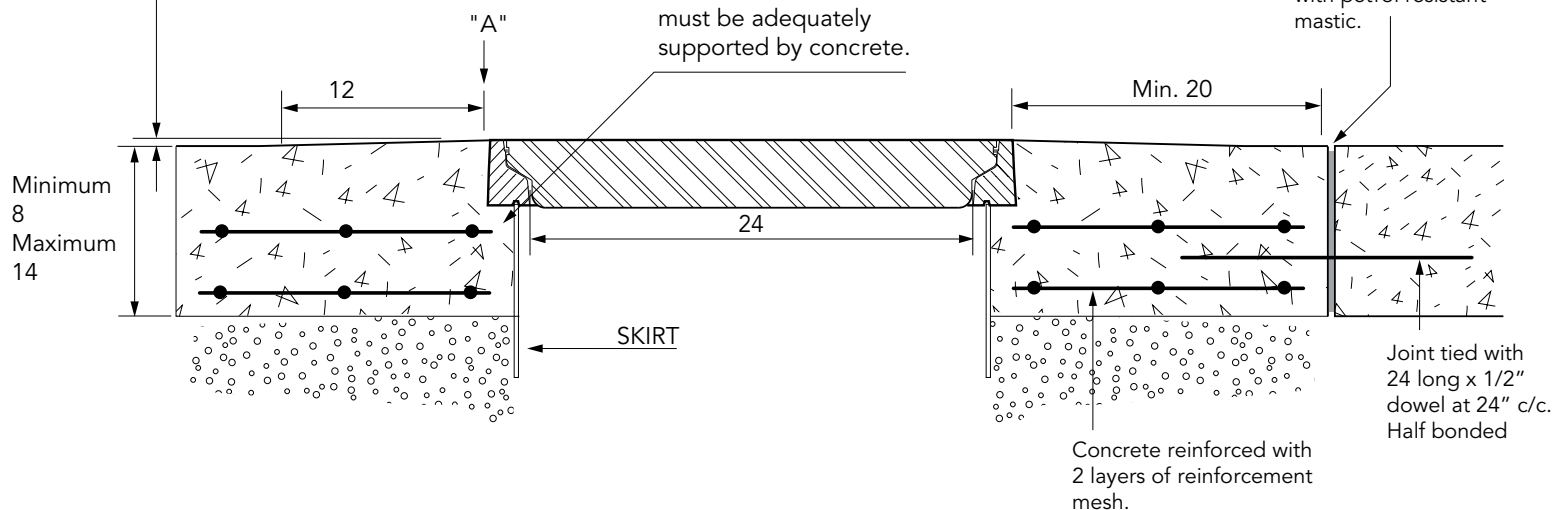
CONCRETE

VERY IMPORTANT

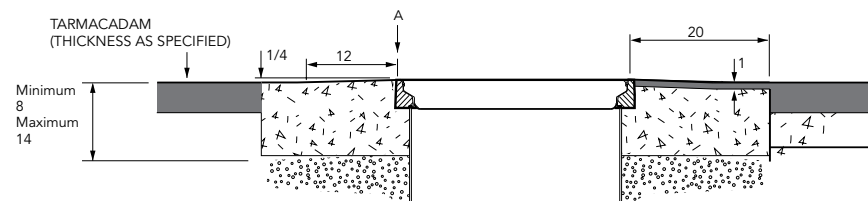
OUTER EDGE "A" OF FRAME SET 1/4" - 1/2" ABOVE GENERAL FORECOURT AREA WITH CONCRETE RAMPED AWAY OVER 12"

VERY IMPORTANT
 The underside of the frame must be adequately supported by concrete.

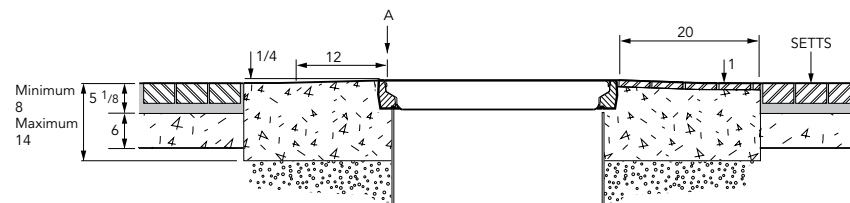
Expansion joint filled with petrol resistant mastic.



TARMACADA M



SETTS



- TARMACADAM
- CONCRETE
- PEA GRAVEL
- SAND

Category: **ACCESS COVER & FRAME - SEALED**

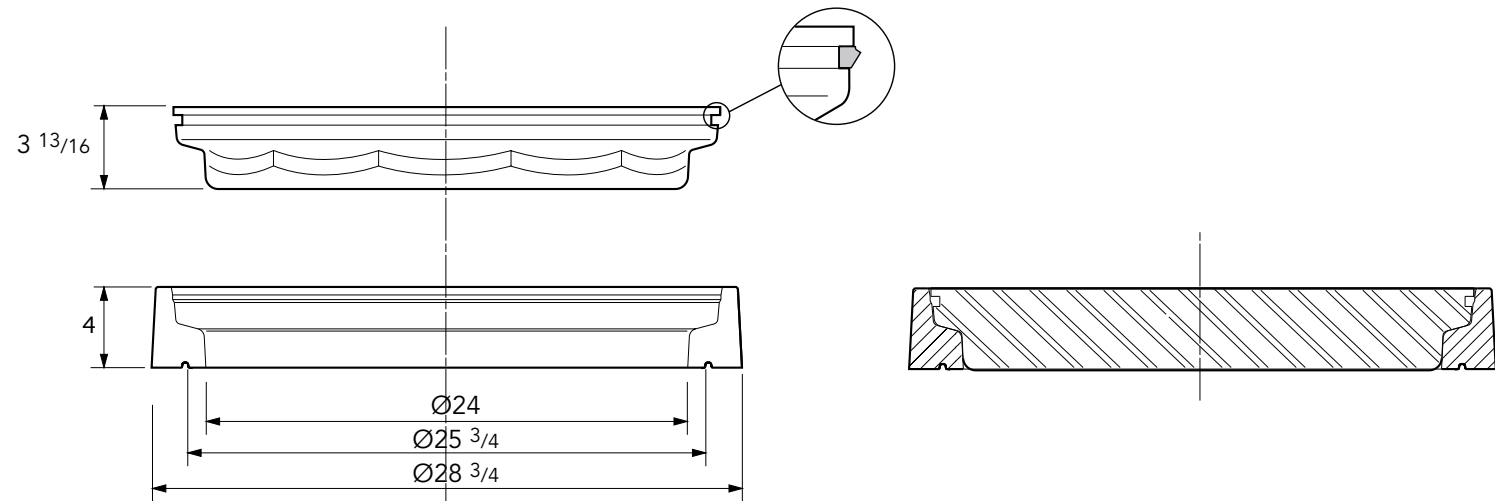
Product 24" diameter flat sealed composite cover with a composite frame.
 Description:

Page No: **2**

Product Code: **FL600**

Date: **May 2012**





<i>Weights</i>	
Cover	Weight: 33lbs
Frame	Weight: 11lbs



Category: ACCESS COVER & FRAME - SEALED		
Product Description: 24" diameter flat sealed composite cover with a composite frame.		
Page No: 3	Product Code: FL600	Date: May 2012