

Category: **ACCESS COVER & FRAME - SEALED**

Product Description: 30" x 30" flat sealed composite cover with an aluminum frame.

Page No: **1**

Product Code: **FL76**

Date: **May 2012**

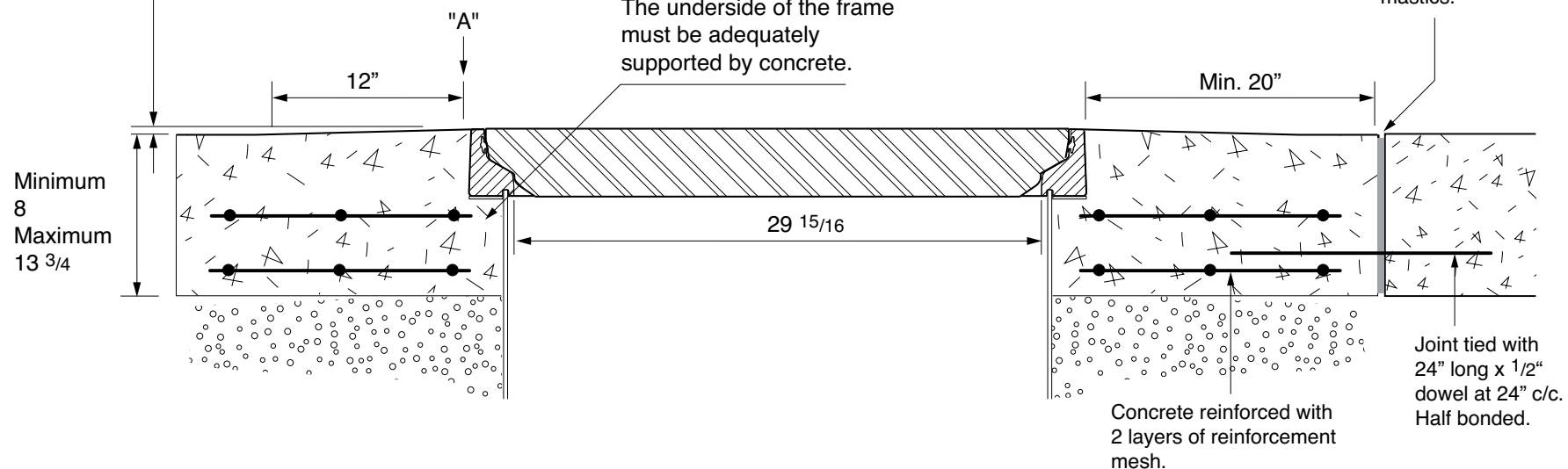
CONCRETE

VERY IMPORTANT

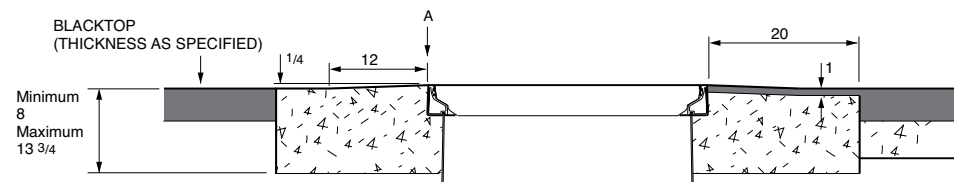
FRAMES MUST BE INSTALLED FLUSH WITH FINISHED GRADE OR SET SLIGHTLY BELOW FINISHED GRADE TO PROTECT FROM SNOWPLOW DAMAGE

VERY IMPORTANT

The underside of the frame must be adequately supported by concrete.



BLACKTOP



Category: **ACCESS COVER & FRAME - SEALED**

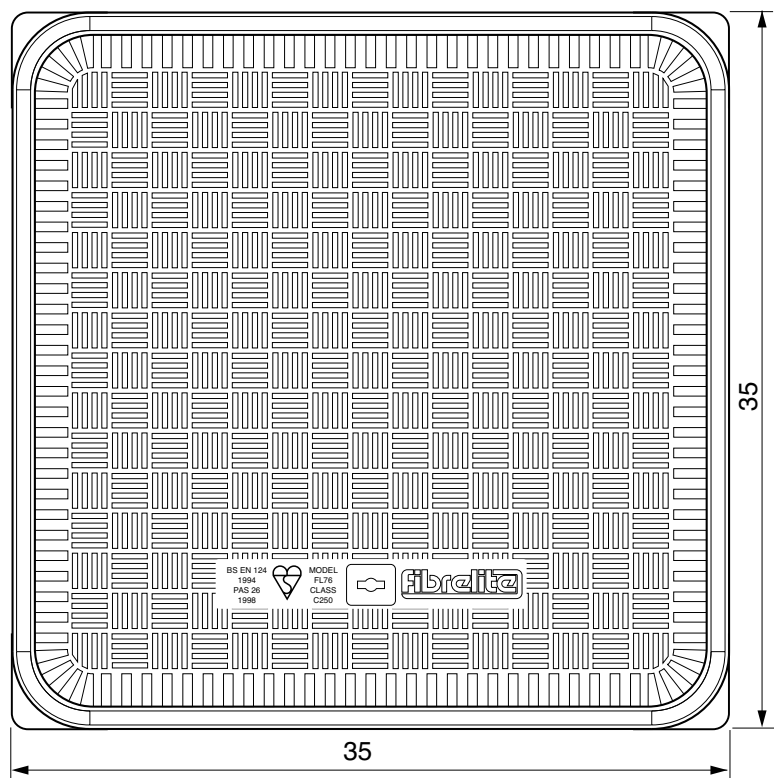
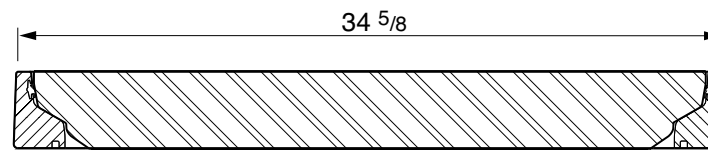
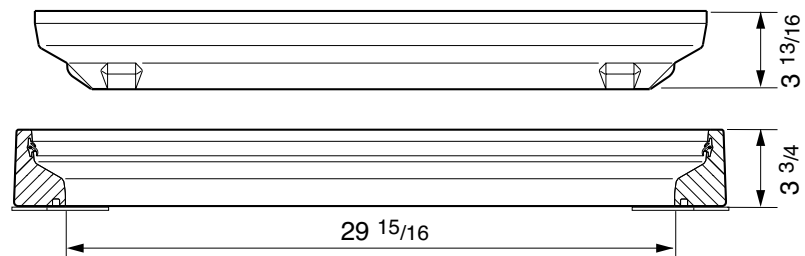
Product 30" x 30" flat sealed composite cover with an aluminum frame.
 Description:

Page No: **2**

Product Code: **FL76**

Date: **May 2012**





COVER TYPES

Code	Description (TCR; Temperature Chemical Resistant)	Cover Weight	Frame Weight
FL76 C250 *	FL76 Tank Cover, Class C250	63.9lbs	26.4lbs
FL76 D400	FL76 Tank Cover, Class D400	90.4lbs	26.4lbs
FL76-1000	FL76 Airport Cover	90.4lbs	29.3lbs
FL76 C250 TCR	FL76 Tank Cover, TCR	63.9lbs	26.4lbs
FL76 D400 TCR	FL76 Tank Cover, TCR	88.2lbs	26.4lbs
FL76 F900	FL76 Tank Cover, Class F900	110lbs	35lbs

* Awarded British Standard Kite Mark



Category: **ACCESS COVER & FRAME - SEALED**

Product Description: 30" x 30" flat sealed composite cover with an aluminum frame.

Page No: **3**

Product Code: **FL76**

Date: **May 2012**