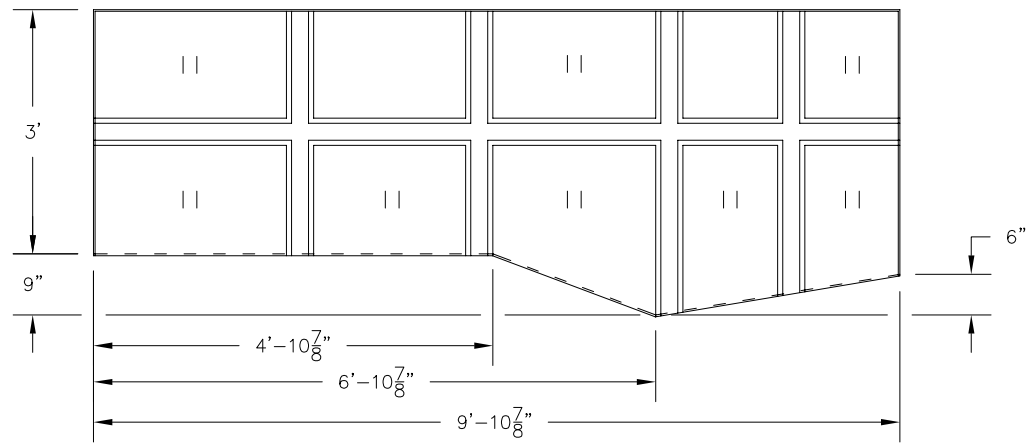
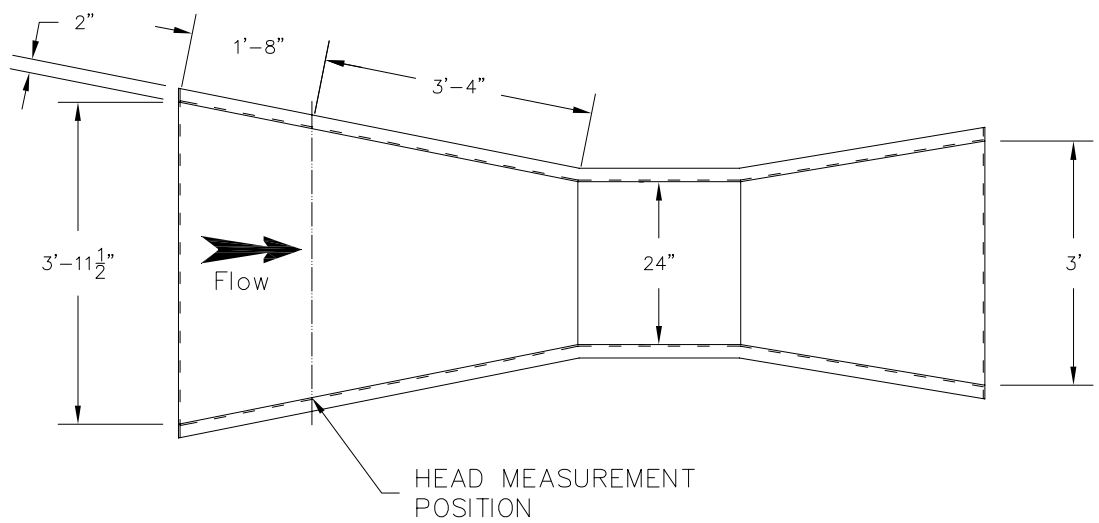


ITEM QTY

DESCRIPTION



IMPORTANT NOTICE
 VIRTUAL POLYMER COMPOUNDS, LLC
 WILL NOT PROCEED WITH FABRICATION UNTIL A
 SIGNED APPROVAL OF THIS DRAWING IS
 RECEIVED APPROVAL OR APPROVED AS NOTED
 (CIRCLE ONE)
 BY: _____ DATE: _____

VPC VIRTUAL POLYMER COMPOUNDS, LLC
 10478 RIDGE ROAD, MEDINA, NEW YORK 14103
 TOLL FREE: 888-290-9522 PHONE: 585-735-9668 FAX: 585-735-9965

TITLE: 24" PARSHALL FLUME

PROJECT:

SCALE: NONE DATE: 1/17/13 PROJECT NO.:

-	ORIGINAL RELEASE	JFF	1/17/13
Rev.	DESCRIPTION	By	Date