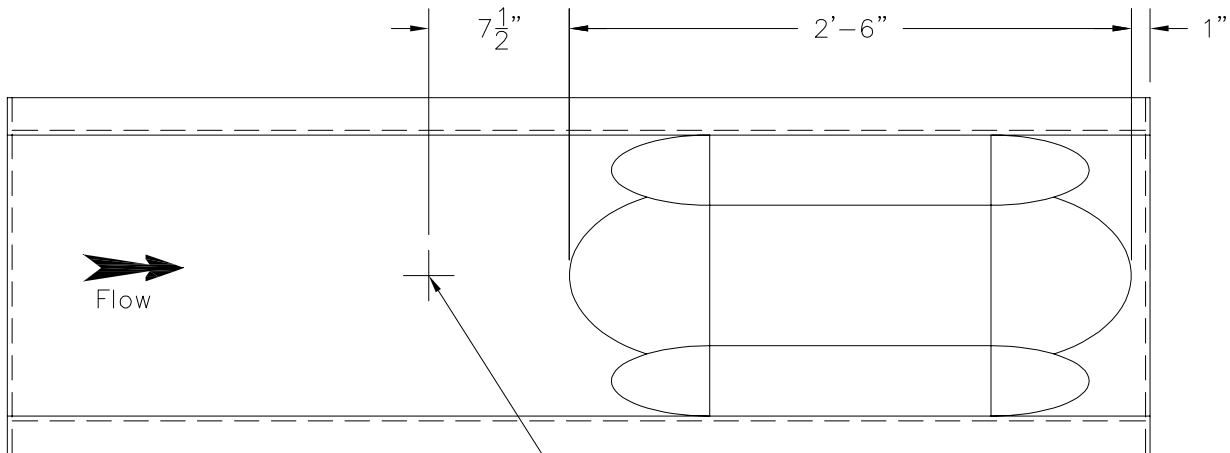
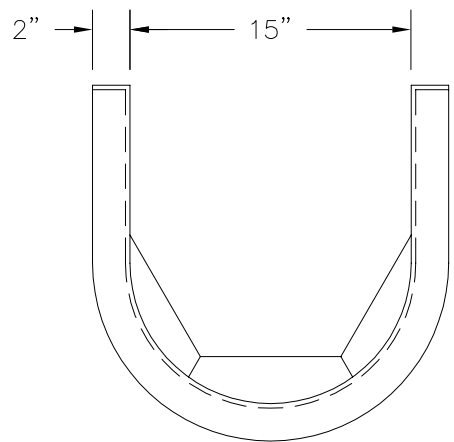
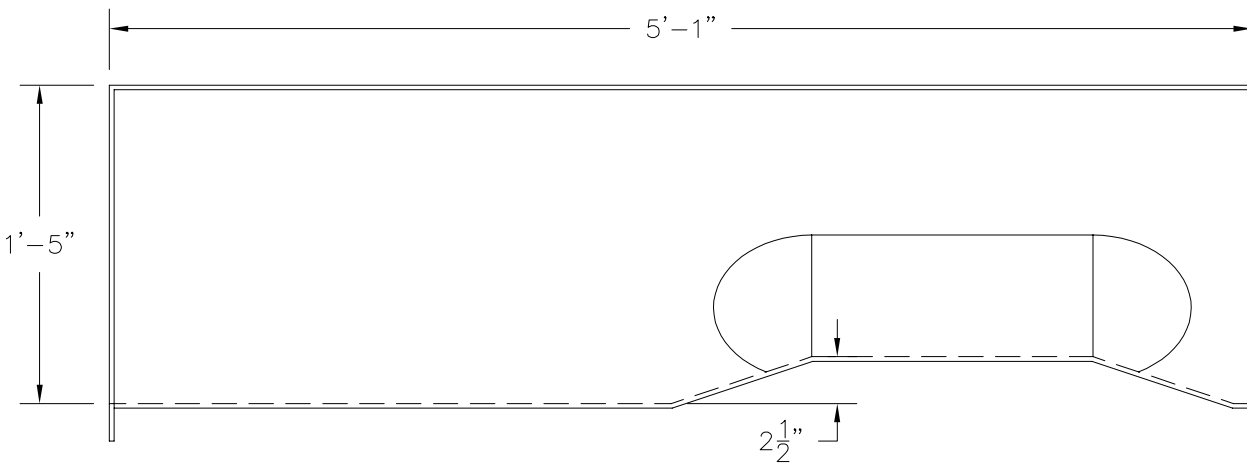


ITEM QTY

DESCRIPTION



HEAD MEASUREMENT POSITION



**IMPORTANT NOTICE**

VIRTUAL POLYMER COMPOUNDS, LLC WILL NOT PROCEED WITH FABRICATION UNTIL A SIGNED APPROVAL OF THIS DRAWING IS RECEIVED APPROVAL OR APPROVED AS NOTED (CIRCLE ONE)

BY: \_\_\_\_\_ DATE: \_\_\_\_\_

-	ORIGINAL RELEASE	JFF	1/17/13
<b>Rev.</b>	<b>DESCRIPTION</b>	<b>By</b>	<b>Date</b>

**VPC** VIRTUAL POLYMER COMPOUNDS, LLC  
 10478 RIDGE ROAD, MEDINA, NEW YORK 14103  
 TOLL FREE: 888-290-9522 PHONE: 585-735-9668 FAX: 585-735-9965

TITLE: 15" PALMER BOWLUS FLUME

PROJECT:

SCALE: NONE DATE: 1/17/13 PROJECT NO.: