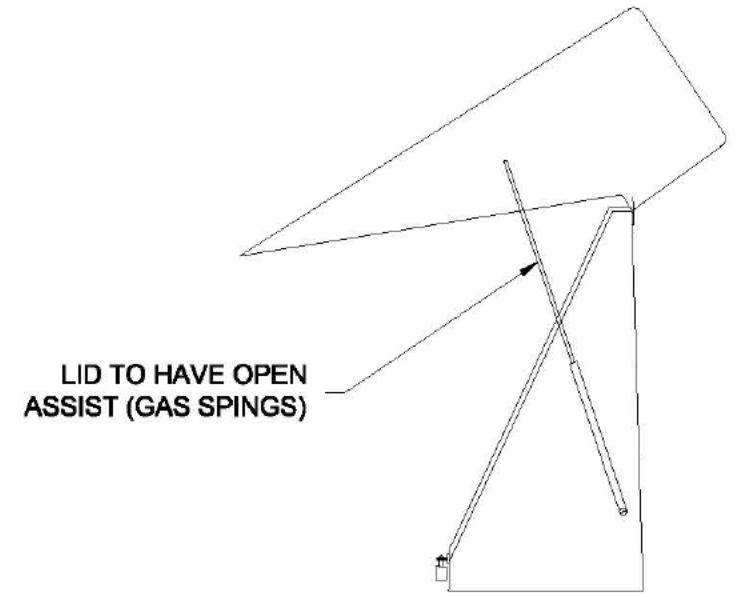
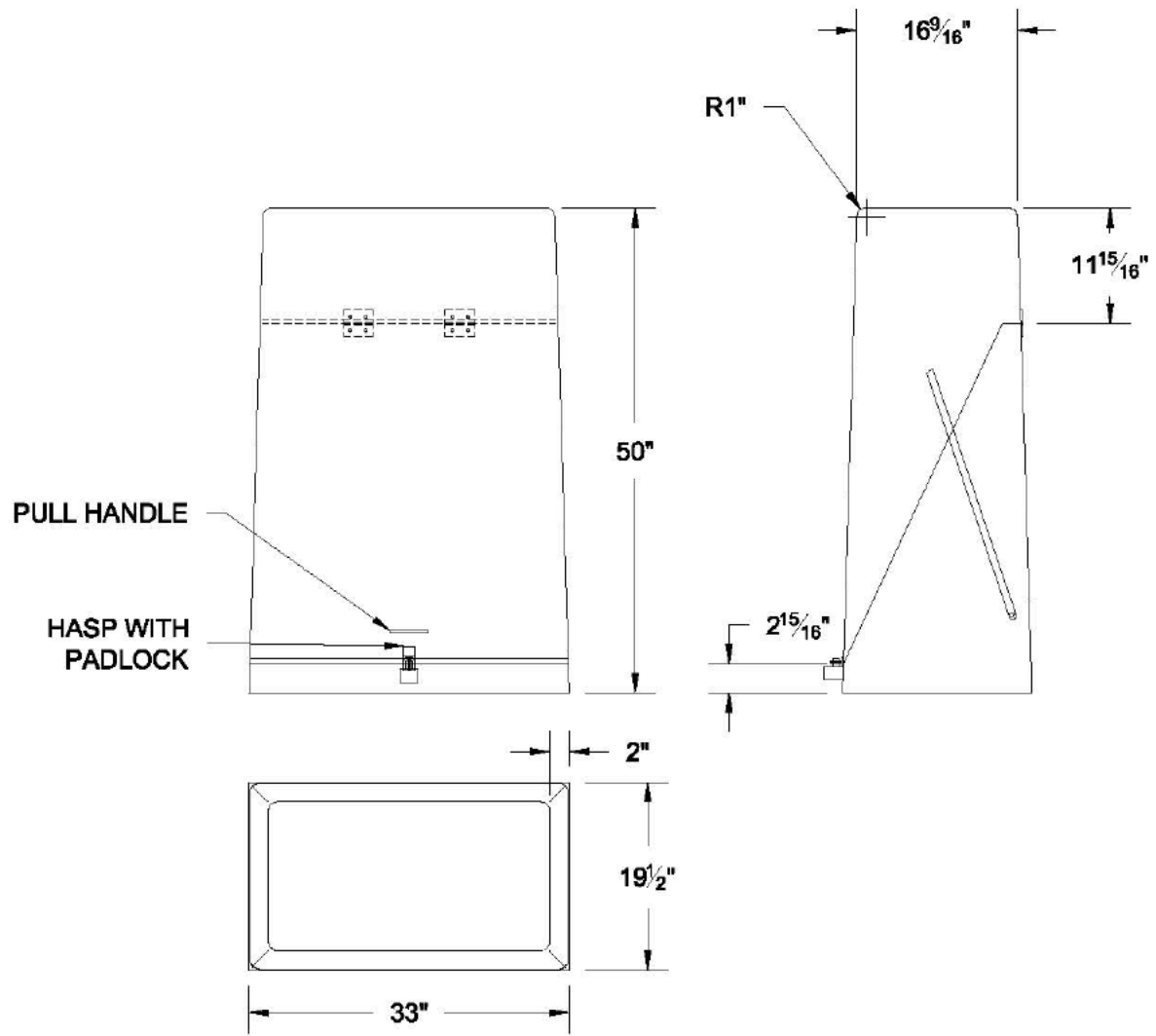


ITEM QTY

DESCRIPTION



IMPORTANT NOTICE
 VIRTUAL POLYMER COMPOUNDS, LLC
 WILL NOT PROCEED WITH FABRICATION UNTIL A
 SIGNED APPROVAL OF THIS DRAWING IS RECEIVED
 APPROVAL OR APPROVED AS NOTED (CIRCLE ONE)
 BY: _____ DATE: _____

Rev.	DESCRIPTION	By	Date
-	ORIGINAL RELEASE	JFF	5/5/14

VPC VIRTUAL POLYMER COMPOUNDS, LLC
 10478 RIDGE ROAD, MEDINA, NEW YORK 14103
 TOLL FREE: 888-290-9522 PHONE: 585-735-9668 FAX: 585-735-9965

TITLE: _____
 PROJECT: _____
 SCALE: NONE DATE: _____ PROJECT NO.: _____