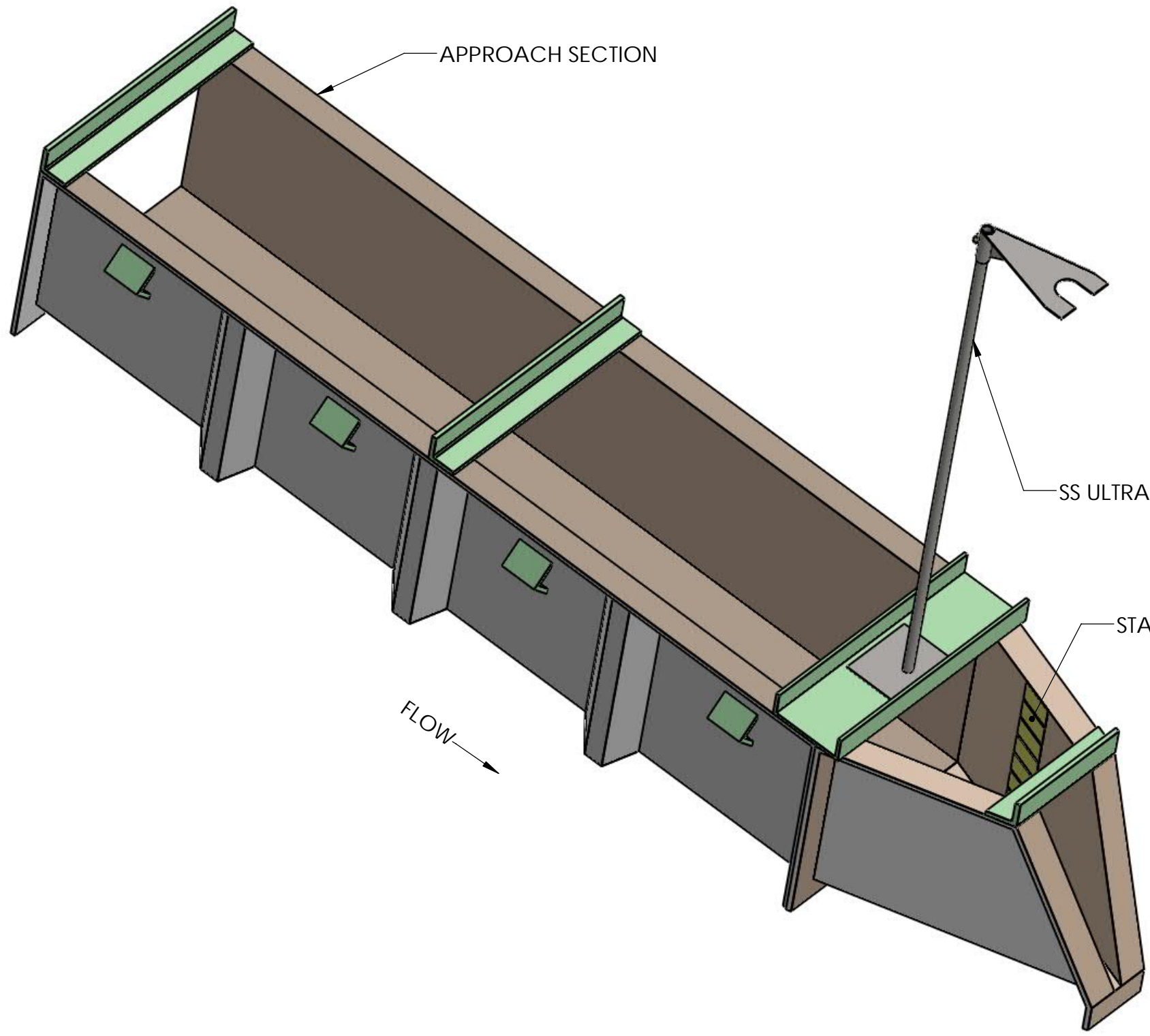


8 7 6 5 4 3 2 1

D
C
B
A

D
C
B
A


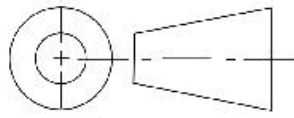


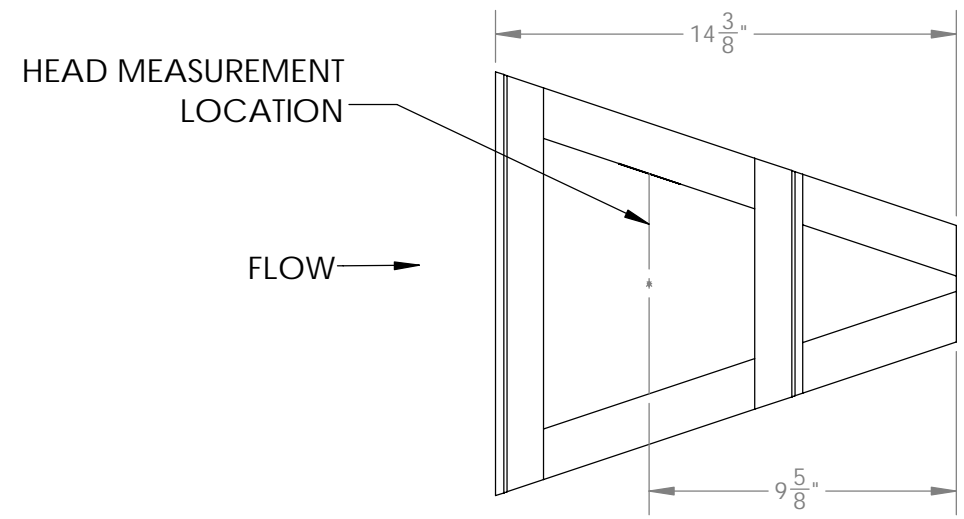
AVAILABLE OPTIONS:

- STAFF GAUGE (ENGLISH OR METRIC).
- STILLING WELL (INTEGRAL OR REMOTE).
- BUBBLER TUBE (SS 1/8" ID, INTEGRAL OR REMOVABLE).
- SAMPLER TUBE (SS 3/8" ID, INTEGRAL OR REMOVABLE).
- INLET APPROACH SECTIONS.
- PIPE STUBS.
- RUBBER PIPE COUPLERS W/ SS CLAMP BANDS.
- ADJUSTABLE SS ULTRASONIC BRACKET.
- PH PROBE CAVITY.
- WING WALLS.
- ENERGY ABSORBING RACKS. (FIXED OR REMOVABLE).
- STANDARD OR SPECIAL DEPTHS (INCLUDING SURGE BOXES).
- FLUME COVERS (GRATING, FIBER SHEETING, CLEAR POLYCARBONATE).
- SPECIAL DESIGN (TO MEET SPECIAL PROJECT NEEDS).
- STANDARD COLOR IS BEIGE (CUSTOM COLORS AVAILABLE).

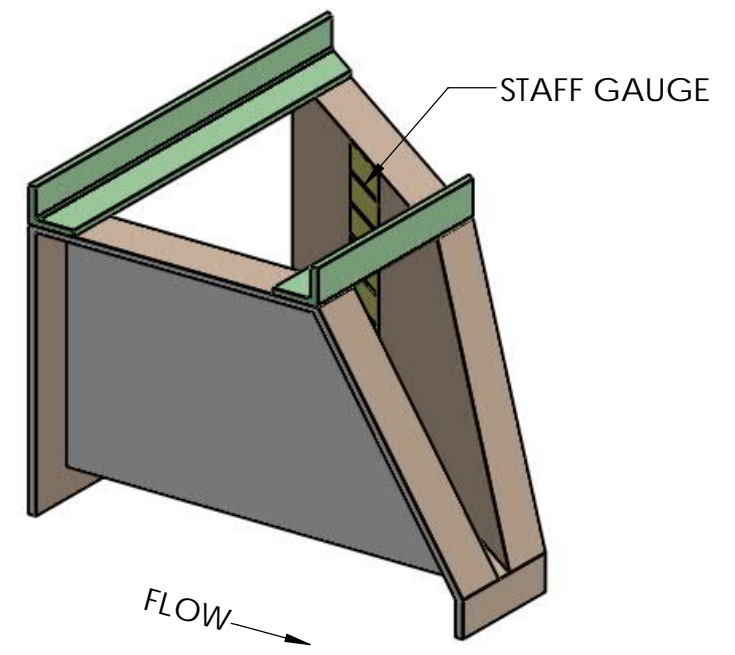
FLOW →

PROPRIETARY AND CONFIDENTIAL
THE INFORMATION CONTAINED IN THIS DRAWING IS THE SOLE PROPERTY OF VIRTUAL POLYMER COMPOUNDS, LLC. ANY REPRODUCTION IN PART OR AS A WHOLE WITHOUT THE WRITTEN PERMISSION OF VIRTUAL POLYMER COMPOUNDS, LLC IS PROHIBITED.

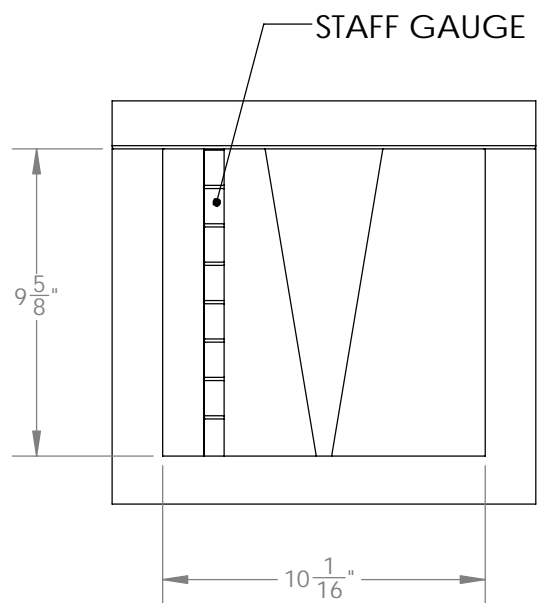
UNLESS OTHERWISE SPECIFIED:		NAME	DATE	 VPC 10478 Ridge Rd., Medina NY 14103 Toll Free: 888-290-9522 Phone: 585-735-9668
DIMENSIONS ARE IN INCHES TOLERANCES: FRACTIONAL ± ANGULAR: MACH ± BEND ± TWO PLACE DECIMAL ± THREE PLACE DECIMAL ±		DRAWN	LVR	
INTERPRET GEOMETRIC TOLERANCING PER:		CHECKED		
MATERIAL POLYESTER RESIN FINISH		ENG APPR.		
DO NOT SCALE DRAWING		MFG APPR.		
		Q.A.		
		 3rd ANGLE PROJECTION		TITLE: 0.8HS FLUME
		Project: WITH OPTIONS		SIZE DWG. NO. REV B
		SCALE: 1:6 Weight 32.40 SHEET 1 OF 5		



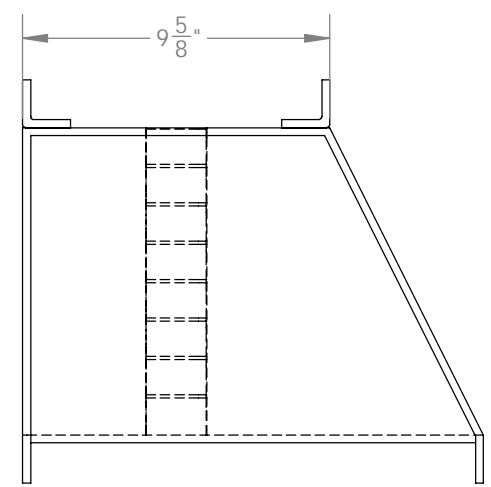
PLAN VIEW



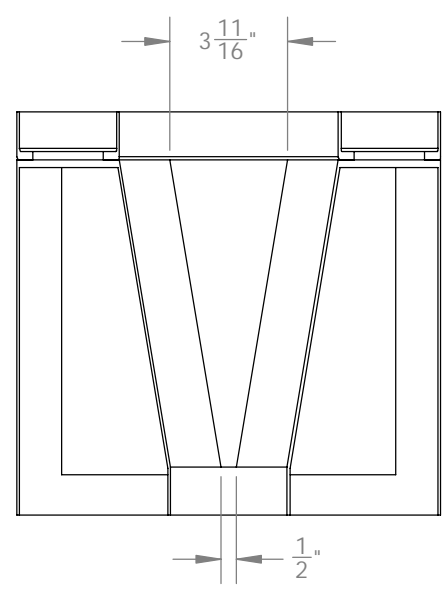
ISOMETRIC VIEW



END VIEW
(LOOKING DOWN STREAM)



SIDE VIEW



END VIEW
(LOOKING UP STREAM)

PROPRIETARY AND CONFIDENTIAL
THE INFORMATION CONTAINED IN THIS DRAWING IS THE SOLE PROPERTY OF Virtual Polymer Compounds, LLC. ANY REPRODUCTION IN PART OR AS A WHOLE WITHOUT THE WRITTEN PERMISSION OF Virtual Polymer Compounds, LLC IS PROHIBITED.

UNLESS OTHERWISE SPECIFIED:
DIMENSIONS ARE IN INCHES
TOLERANCES:
FRACTIONAL ±
ANGULAR: MACH ± BEND ±
TWO PLACE DECIMAL ±
THREE PLACE DECIMAL ±

INTERPRET GEOMETRIC TOLERANCING PER:
MATERIAL
POLYESTER RESIN
FINISH

DO NOT SCALE DRAWING

	NAME	DATE
DRAWN	LVR	8/28/2020
CHECKED		
ENG APPR.		
MFG APPR.		
Q.A.		

COMMENTS:
3rd ANGLE PROJECTION

VPC 10478 Ridge Rd.,
Medina NY 14103
Toll Free: 888-290-9522
FIBERGLASS Phone: 585-735-9668

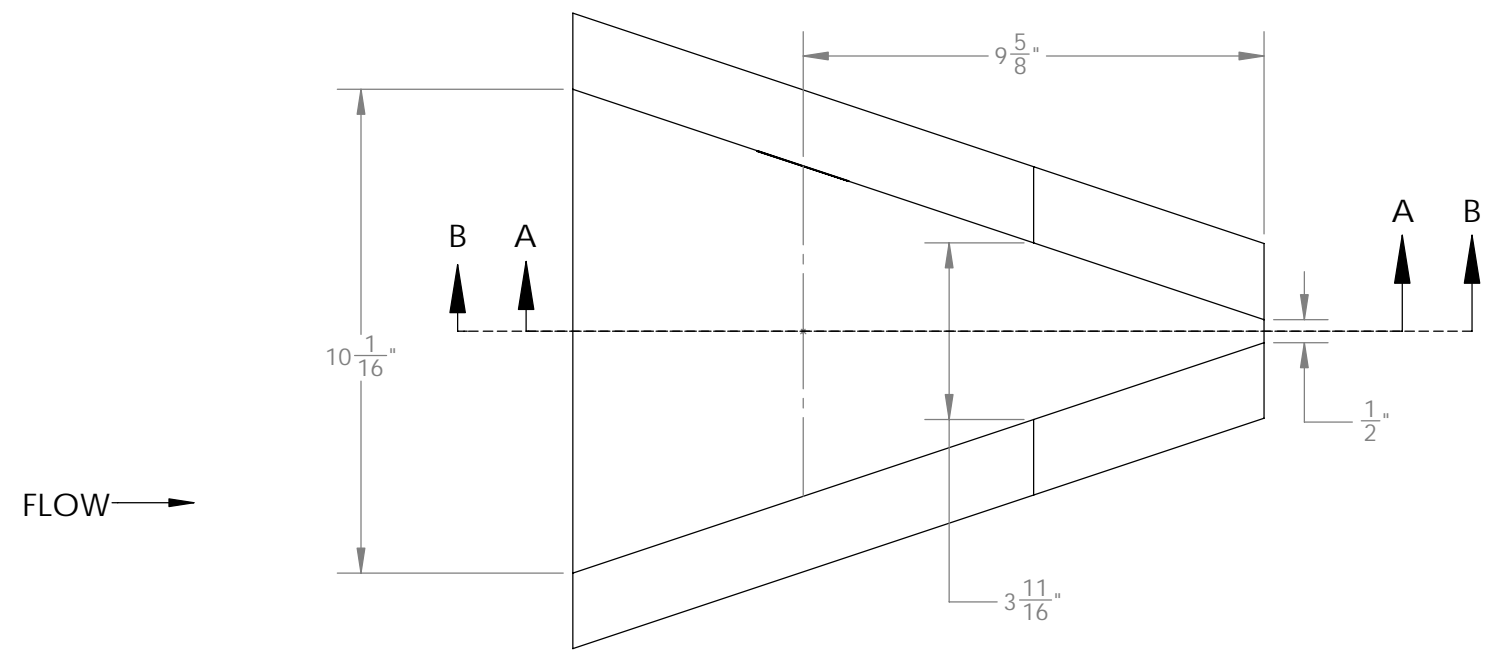
TITLE: 0.8HS FLUME

Project: NO OPTIONS

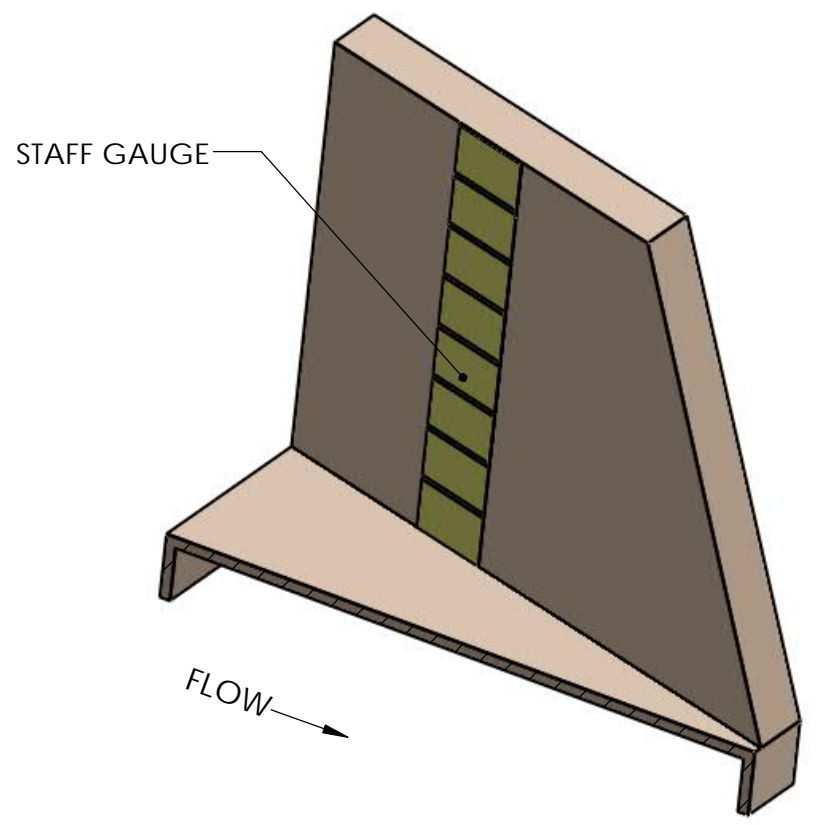
SIZE B	DWG. NO.	REV A
------------------	----------	----------

SCALE: 1:6 Weight 6.27 SHEET 2 OF 5

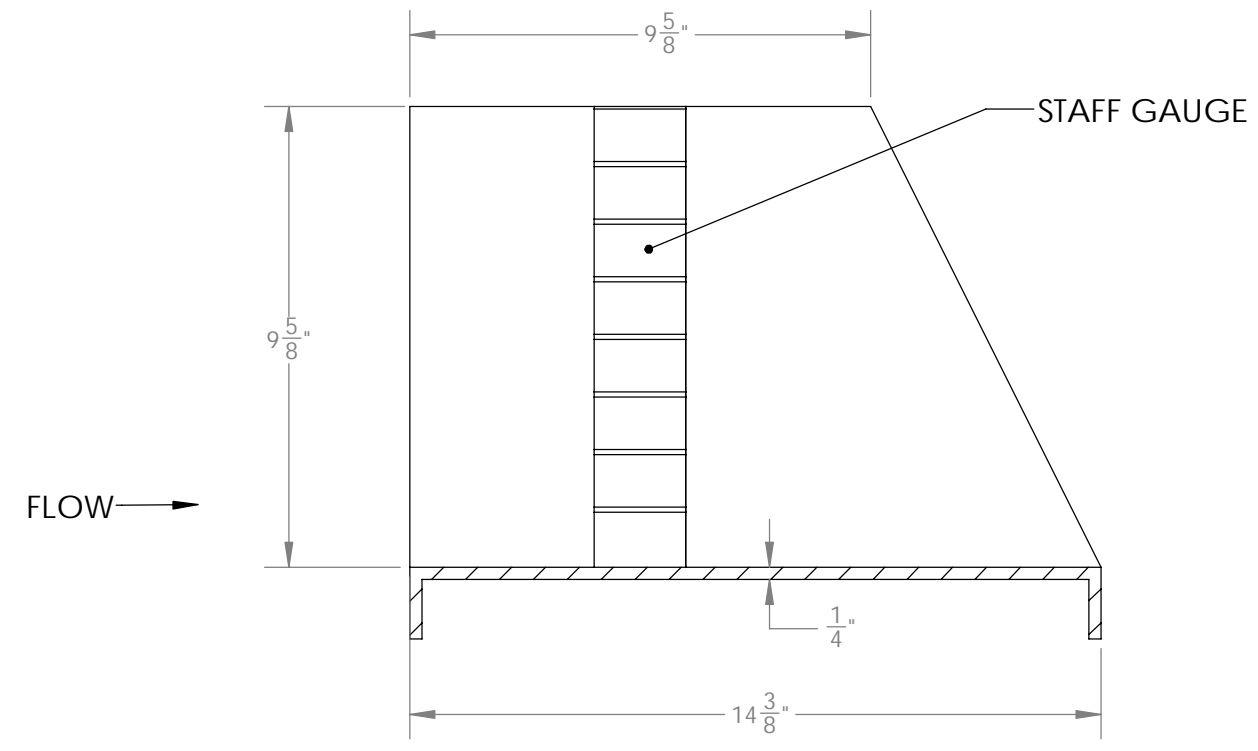
8 7 6 5 4 3 2 1



PLAN VIEW
(SPREADER BARS REMOVED FOR CLARITY)



SECTION B-B



SECTION A-A

PROPRIETARY AND CONFIDENTIAL
THE INFORMATION CONTAINED IN THIS DRAWING IS THE SOLE PROPERTY OF Virtual Polymer Compounds, LLC. ANY REPRODUCTION IN PART OR AS A WHOLE WITHOUT THE WRITTEN PERMISSION OF Virtual Polymer Compounds, LLC IS PROHIBITED.

UNLESS OTHERWISE SPECIFIED:
DIMENSIONS ARE IN INCHES
TOLERANCES:
FRACTIONAL ±
ANGULAR: MACH ± BEND ±
TWO PLACE DECIMAL ±
THREE PLACE DECIMAL ±

INTERPRET GEOMETRIC TOLERANCING PER:
MATERIAL
POLYESTER RESIN
FINISH

DO NOT SCALE DRAWING

	NAME	DATE
DRAWN	LVR	8/28/2020
CHECKED		
ENG APPR.		
MFG APPR.		
Q.A.		
COMMENTS:		

VPC 10478 Ridge Rd., Medina NY 14103
FIBERGLASS Phone: 888-290-9522 585-735-9668

TITLE: 0.8HS FLUME

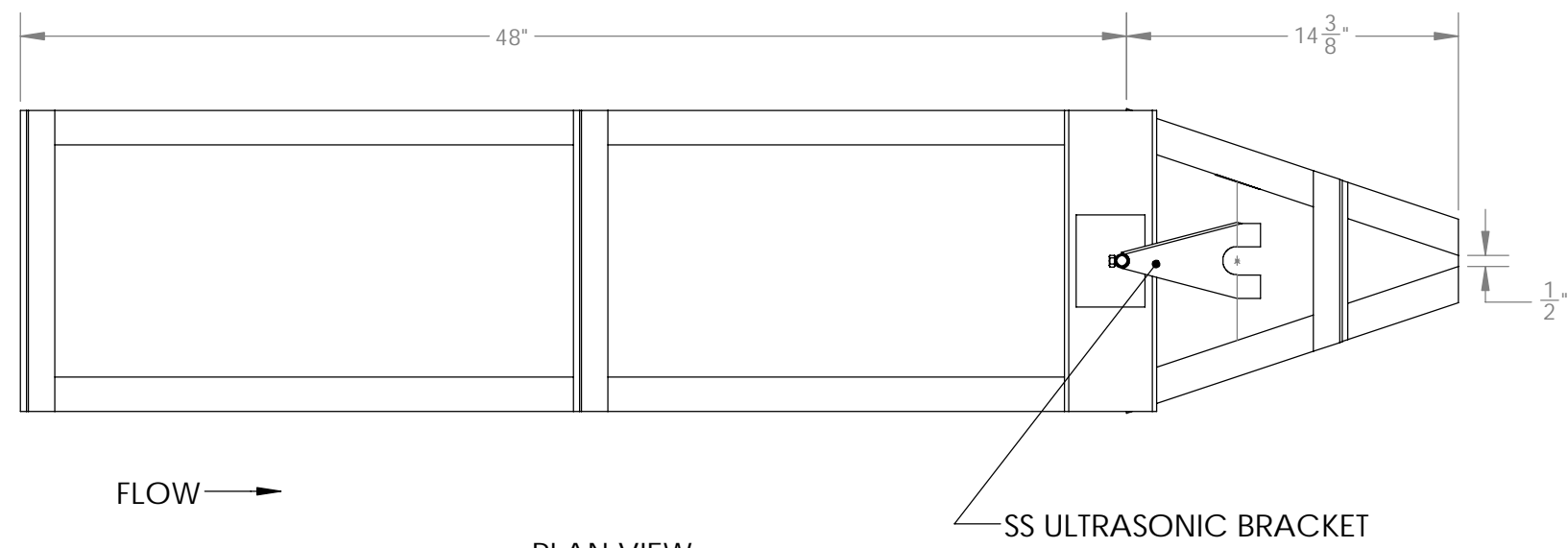
Project: NO OPTIONS

SIZE B	DWG. NO.	REV A
------------------	----------	----------

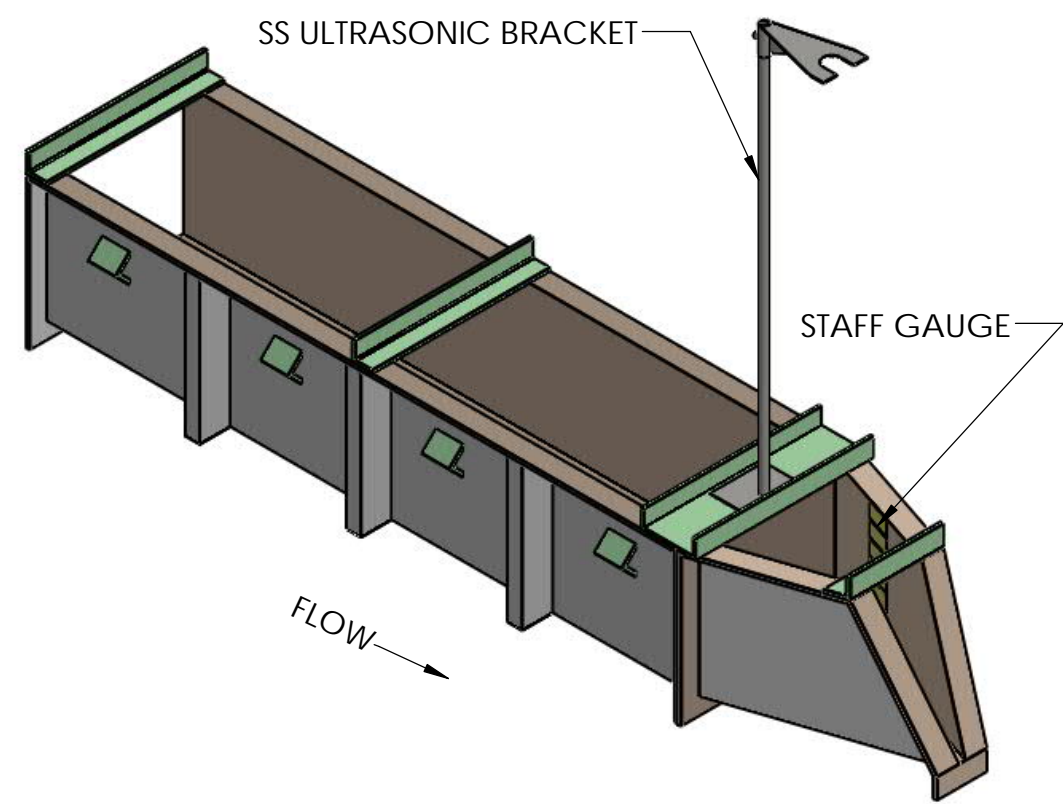
SCALE: 1:4 Weight 6.27 SHEET 3 OF 5

8 7 6 5 4 3 2 1

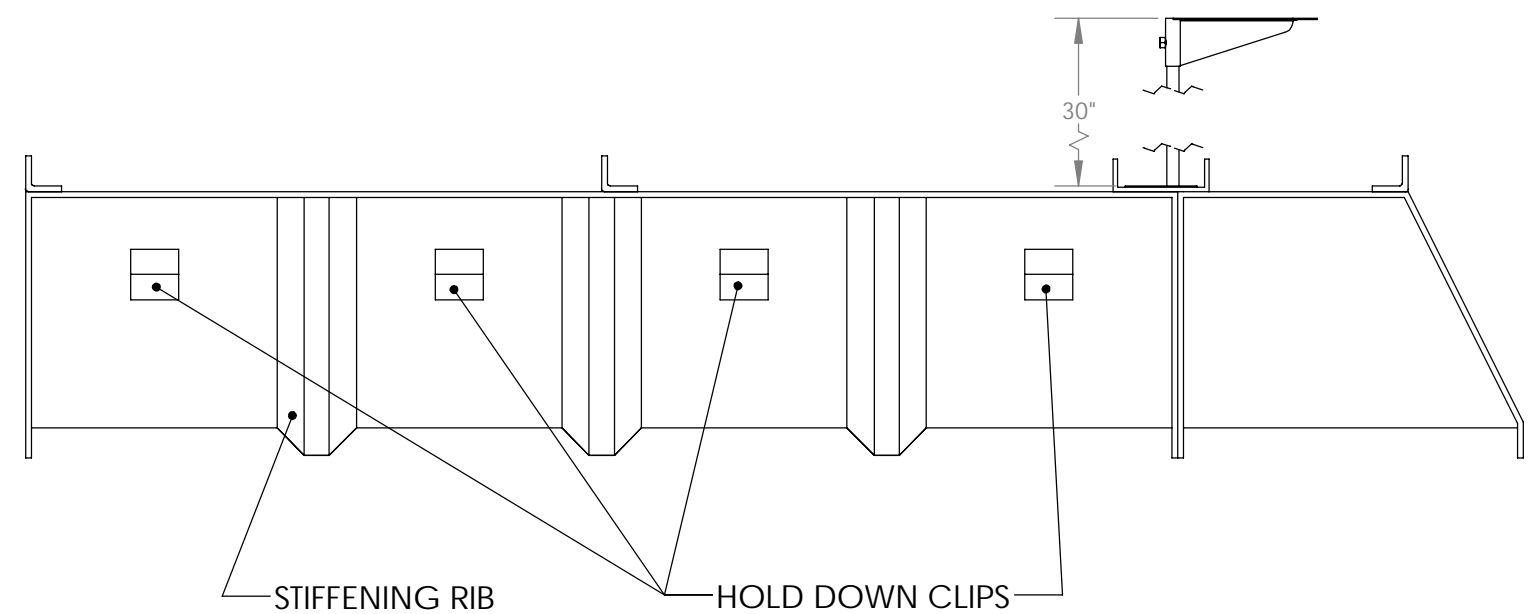
8 7 6 5 4 3 2 1



PLAN VIEW


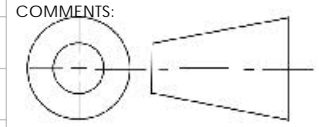


ISOMETRIC VIEW
SCALE: 1:10



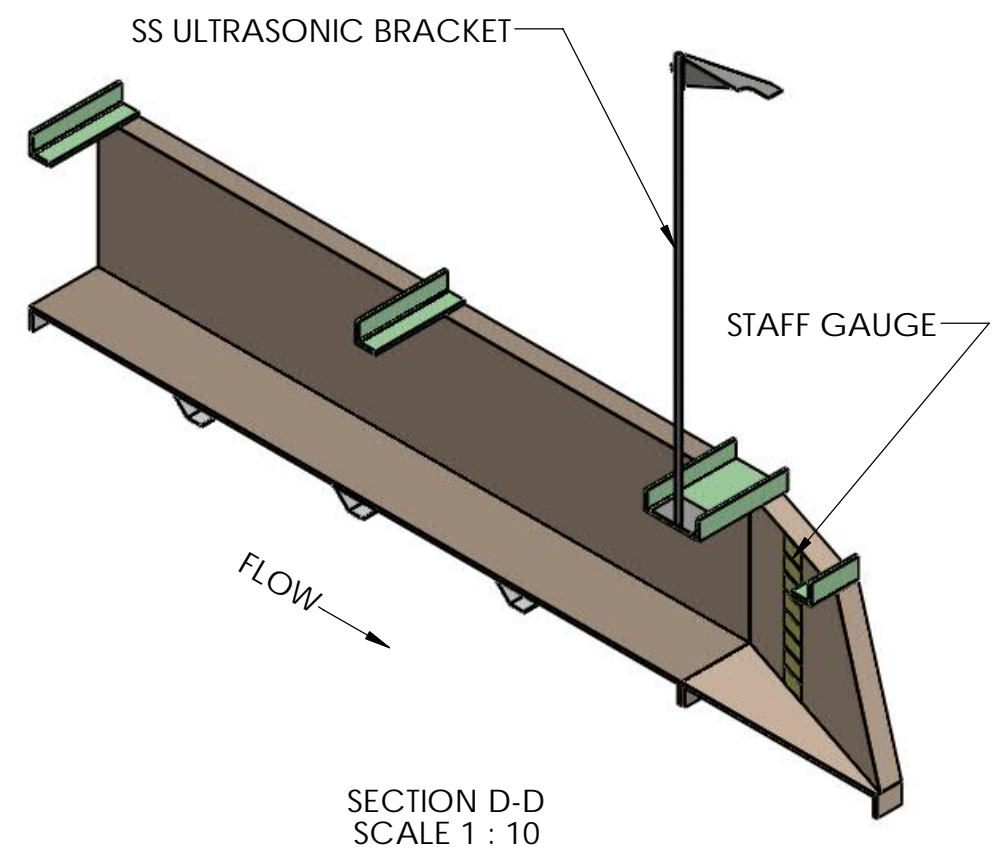
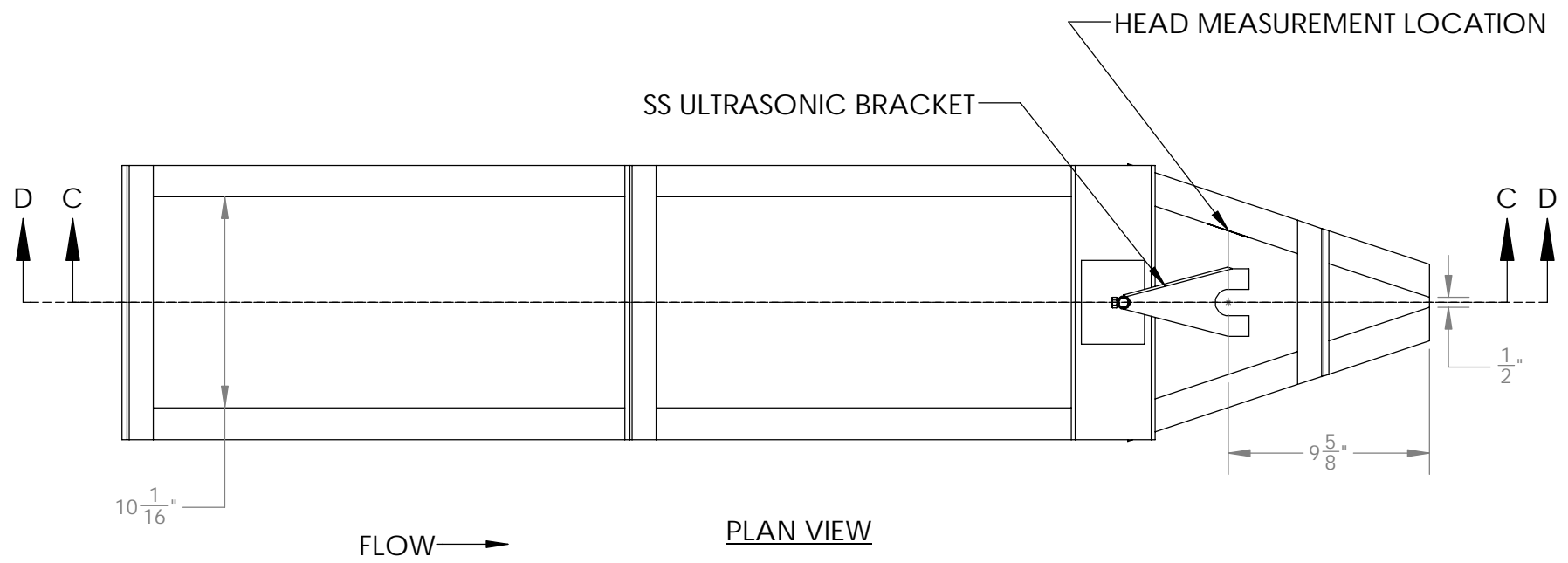
SIDE VIEW

PROPRIETARY AND CONFIDENTIAL
THE INFORMATION CONTAINED IN THIS DRAWING IS THE SOLE PROPERTY OF Virtual Polymer Compounds, LLC. ANY REPRODUCTION IN PART OR AS A WHOLE WITHOUT THE WRITTEN PERMISSION OF Virtual Polymer Compounds, LLC IS PROHIBITED.

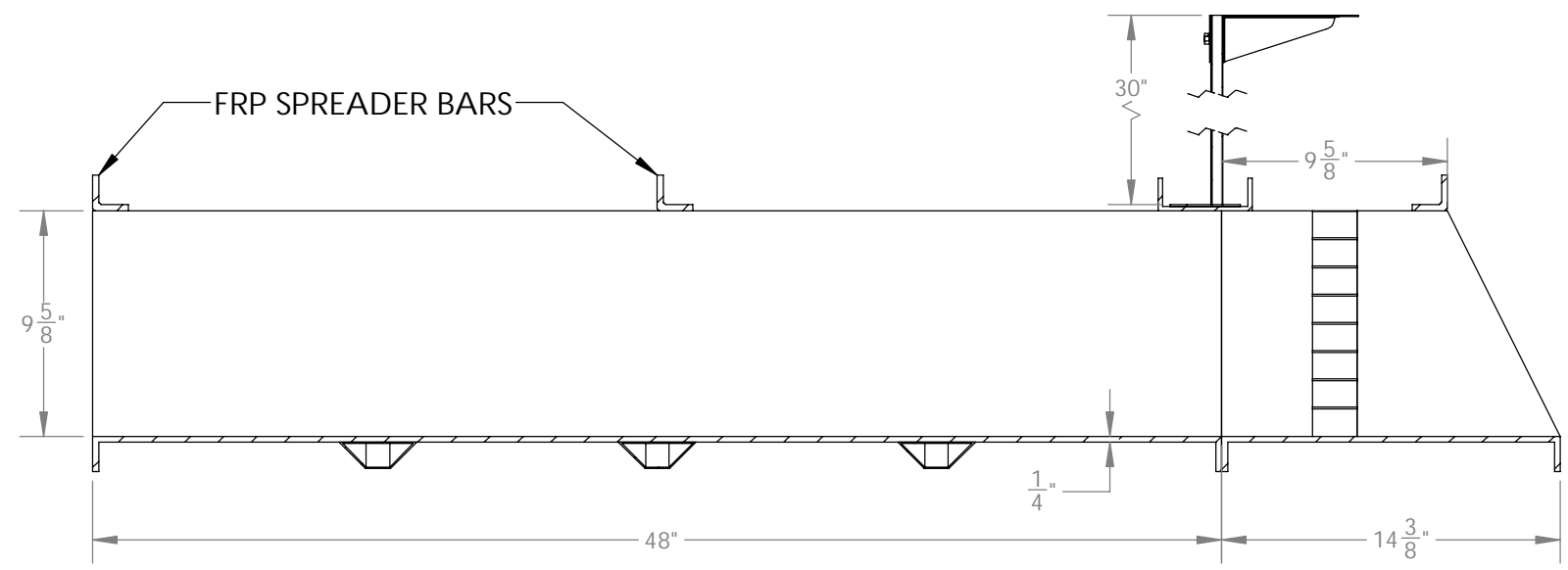
UNLESS OTHERWISE SPECIFIED:		NAME	DATE	 VPC 10478 Ridge Rd., Medina NY 14103 Toll Free: 888-290-9522 Phone: 585-735-9668
DIMENSIONS ARE IN INCHES TOLERANCES: FRACTIONAL ± ANGULAR: MACH ± BEND ± TWO PLACE DECIMAL ± THREE PLACE DECIMAL ±		DRAWN	LVR 8/28/2020	
INTERPRET GEOMETRIC TOLERANCING PER:		CHECKED		TITLE: 0.8HS FLUME
MATERIAL POLYESTER RESIN FINISH		ENG APPR.		Project: WITH OPTIONS
DO NOT SCALE DRAWING		MFG APPR.		SIZE DWG. NO. REV B
		Q.A.		SCALE: 1:8 Weight 32.40 SHEET 4 OF 5
		COMMENTS:	 3rd ANGLE PROJECTION	

8 7 6 5 4 3 2 1

D



C



B

A

UNLESS OTHERWISE SPECIFIED:
 DIMENSIONS ARE IN INCHES
 TOLERANCES:
 FRACTIONAL ±
 ANGULAR: MACH ± BEND ±
 TWO PLACE DECIMAL ±
 THREE PLACE DECIMAL ±

INTERPRET GEOMETRIC TOLERANCING PER:
 MATERIAL
 POLYESTER RESIN
 FINISH

DO NOT SCALE DRAWING

PROPRIETARY AND CONFIDENTIAL
 THE INFORMATION CONTAINED IN THIS DRAWING IS THE SOLE PROPERTY OF Virtual Polymer Compounds, LLC. ANY REPRODUCTION IN PART OR AS A WHOLE WITHOUT THE WRITTEN PERMISSION OF Virtual Polymer Compounds, LLC IS PROHIBITED.

	NAME	DATE
DRAWN	LVR	8/28/2020
CHECKED		
ENG APPR.		
MFG APPR.		
Q.A.		
COMMENTS:		

VPC 10478 Ridge Rd., Medina NY 14103
 FIBERGLASS Toll Free: 888-290-9522 Phone: 585-735-9668

TITLE: 0.8HS FLUME

Project: WITH OPTIONS

SIZE B	DWG. NO.	REV A
SCALE: 1:8	Weight 32.40	SHEET 5 OF 5

8 7 6 5 4 3 2 1