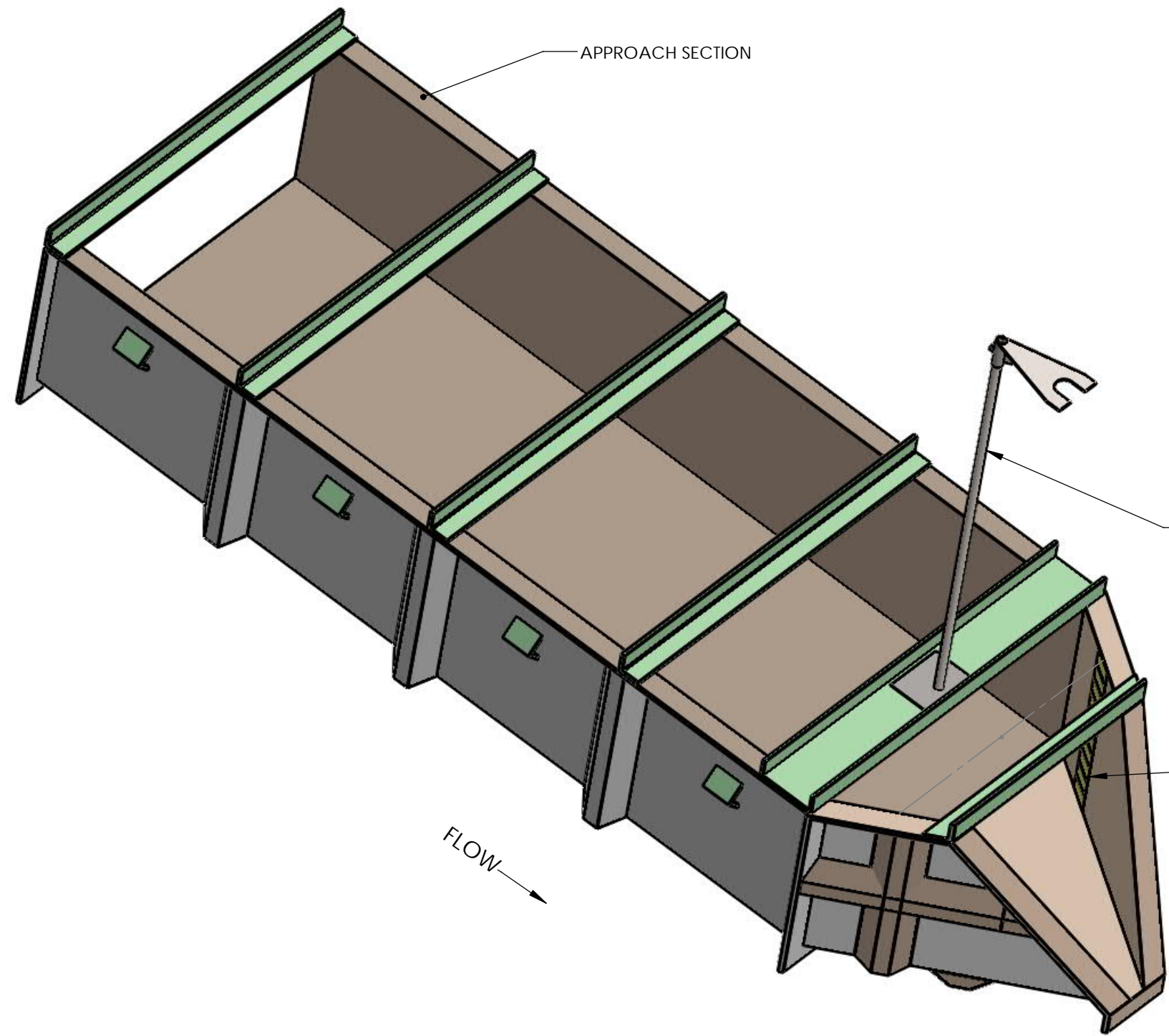


8 7 6 5 4 3 2 1

D
C
B
A


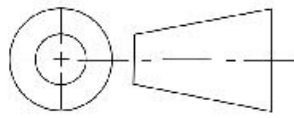


- AVAILABLE OPTIONS:
- STAFF GAUGE (ENGLISH OR METRIC).
 - STILLING WELL (INTEGRAL OR REMOTE).
 - BUBBLER TUBE (SS 1/8" ID, INTEGRAL OR REMOVABLE).
 - SAMPLER TUBE (SS 3/8" ID, INTEGRAL OR REMOVABLE).
 - INLET APPROACH SECTIONS.
 - PIPE STUBS.
 - RUBBER PIPE COUPLERS W/ SS CLAMP BANDS.
 - ADJUSTABLE SS ULTRASONIC BRACKET.
 - PH PROBE CAVITY.
 - WING WALLS.
 - ENERGY ABSORBING RACKS. (FIXED OR REMOVABLE).
 - STANDARD OR SPECIAL DEPTHS (INCLUDING SURGE BOXES).
 - FLUME COVERS (GRATING, FIBER SHEETING, CLEAR POLYCARBONATE).
 - SPECIAL DESIGN (TO MEET SPECIAL PROJECT NEEDS).
 - STANDARD COLOR IS BEIGE (CUSTOM COLORS AVAILABLE).

D
C
B
A

FLOW →

PROPRIETARY AND CONFIDENTIAL
THE INFORMATION CONTAINED IN THIS DRAWING IS THE SOLE PROPERTY OF VIRTUAL POLYMER COMPOUNDS, LLC. ANY REPRODUCTION IN PART OR AS A WHOLE WITHOUT THE WRITTEN PERMISSION OF VIRTUAL POLYMER COMPOUNDS, LLC IS PROHIBITED.

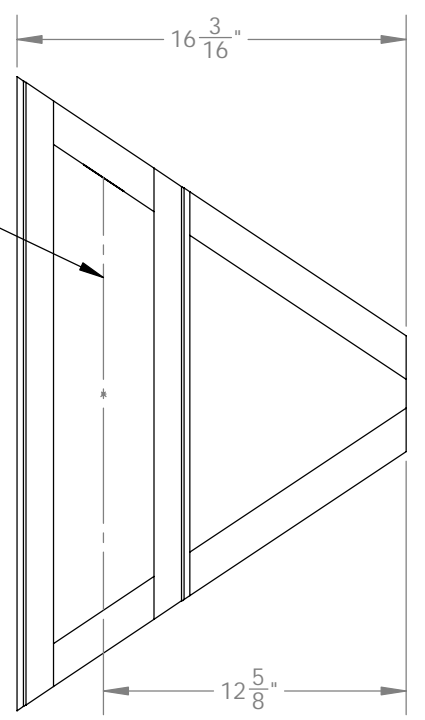
UNLESS OTHERWISE SPECIFIED:		NAME	DATE	 VPC 10478 Ridge Rd., Medina NY 14103 Toll Free: 888-290-9522 Phone: 585-735-9668	
DIMENSIONS ARE IN INCHES		DRAWN	LVR		8/28/2020
TOLERANCES:		CHECKED			
FRACTIONAL ±		ENG APPR.			
ANGULAR: MACH ± BEND ±		MFG APPR.			
TWO PLACE DECIMAL ±		Q.A.			
THREE PLACE DECIMAL ±				TITLE: 1.0H FLUME	
INTERPRET GEOMETRIC TOLERANCING PER:				Project: WITH OPTIONS	
MATERIAL: POLYESTER RESIN				SIZE: B DWG. NO. REV: A	
FINISH:				SCALE: 1:8 Weight 61.76 SHEET 1 OF 5	
DO NOT SCALE DRAWING		 3rd ANGLE PROJECTION			

8 7 6 5 4 3 2 1

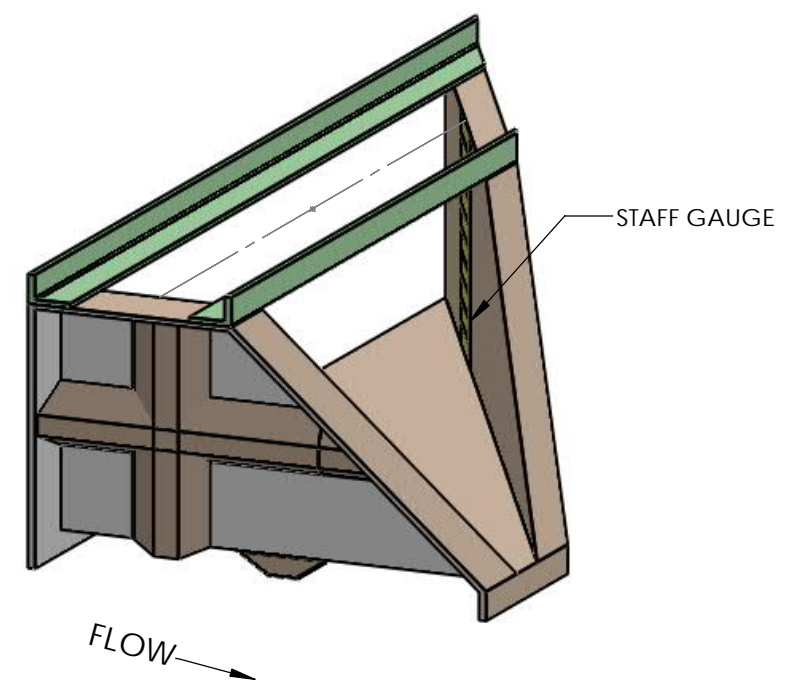
8 7 6 5 4 3 2 1

HEAD MEASUREMENT LOCATION

FLOW →

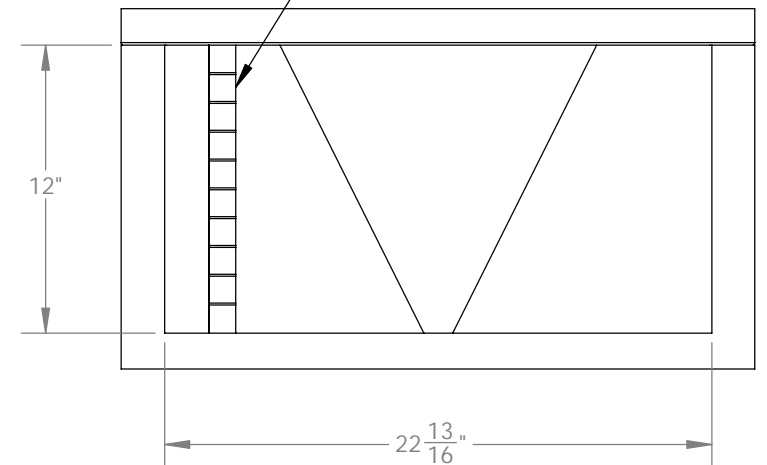


PLAN VIEW

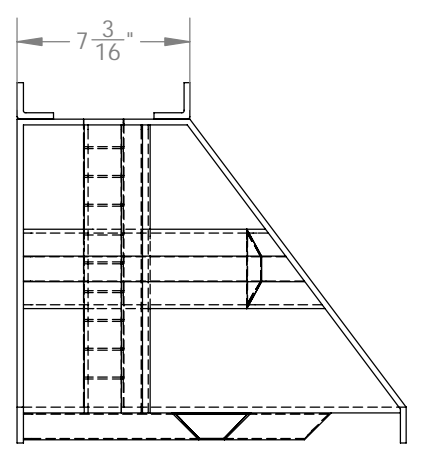


ISOMETRIC VIEW

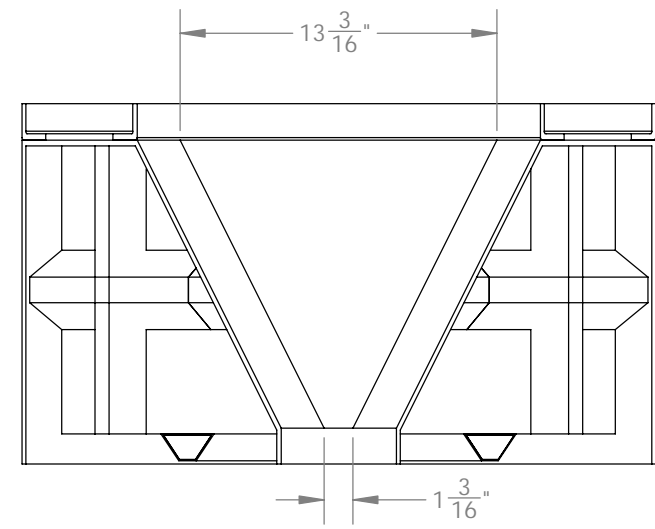
STAFF GAUGE



END VIEW (LOOKING DOWN STREAM)



SIDE VIEW



END VIEW (LOOKING UP STREAM)

PROPRIETARY AND CONFIDENTIAL
 THE INFORMATION CONTAINED IN THIS DRAWING IS THE SOLE PROPERTY OF Virtual Polymer Compounds, LLC. ANY REPRODUCTION IN PART OR AS A WHOLE WITHOUT THE WRITTEN PERMISSION OF Virtual Polymer Compounds, LLC IS PROHIBITED.

UNLESS OTHERWISE SPECIFIED:
 DIMENSIONS ARE IN INCHES
 TOLERANCES:
 FRACTIONAL ±
 ANGULAR: MACH ± BEND ±
 TWO PLACE DECIMAL ±
 THREE PLACE DECIMAL ±
 INTERPRET GEOMETRIC TOLERANCING PER:
 MATERIAL POLYESTER RESIN
 FINISH
 DO NOT SCALE DRAWING

NAME	DATE
DRAWN LVR	8/28/2020
CHECKED	
ENG APPR.	
MFG APPR.	
Q.A.	

COMMENTS:

 3rd ANGLE PROJECTION

VPC FIBERGLASS 10478 Ridge Rd., Medina NY 14103
 Toll Free: 888-290-9522 Phone: 585-735-9668

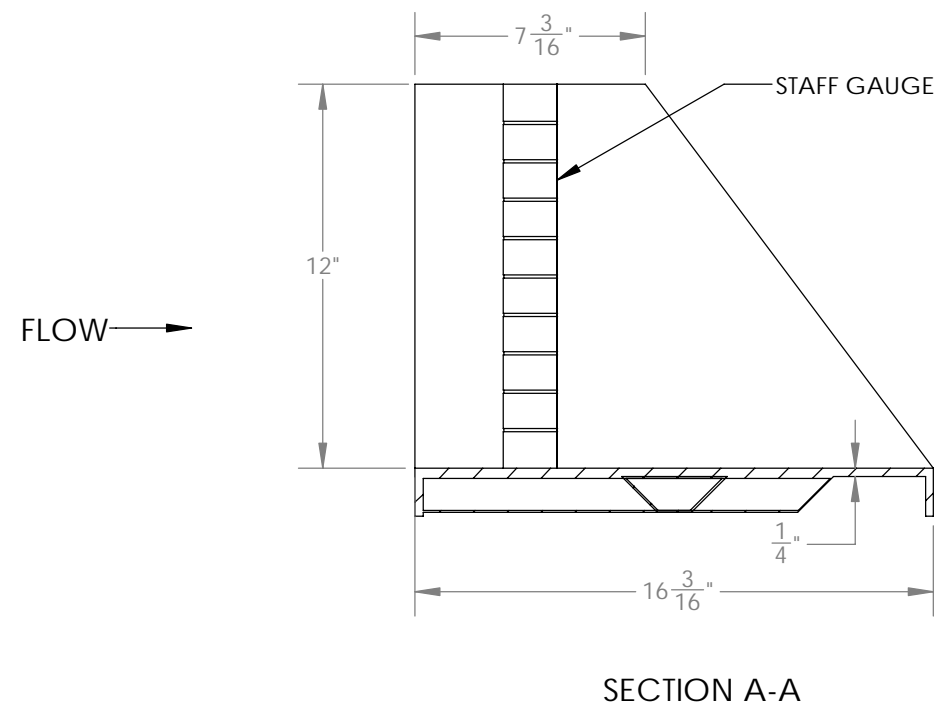
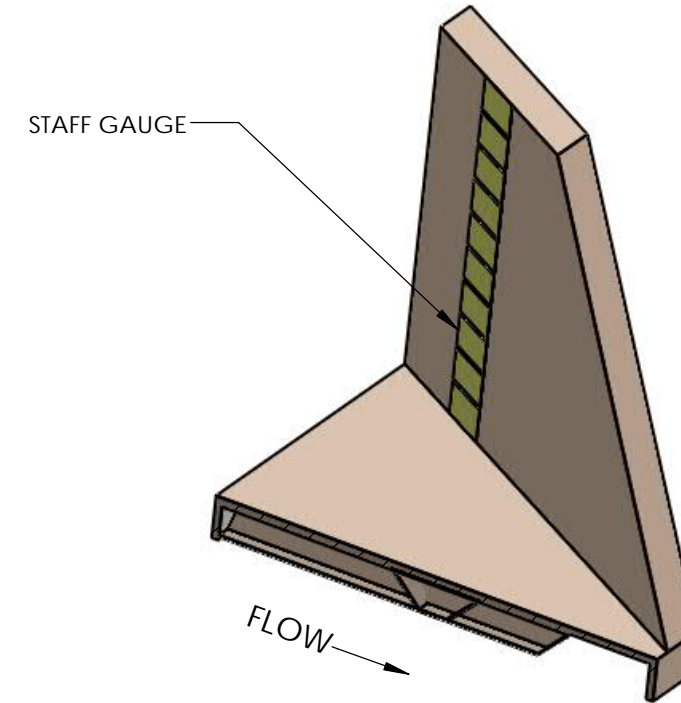
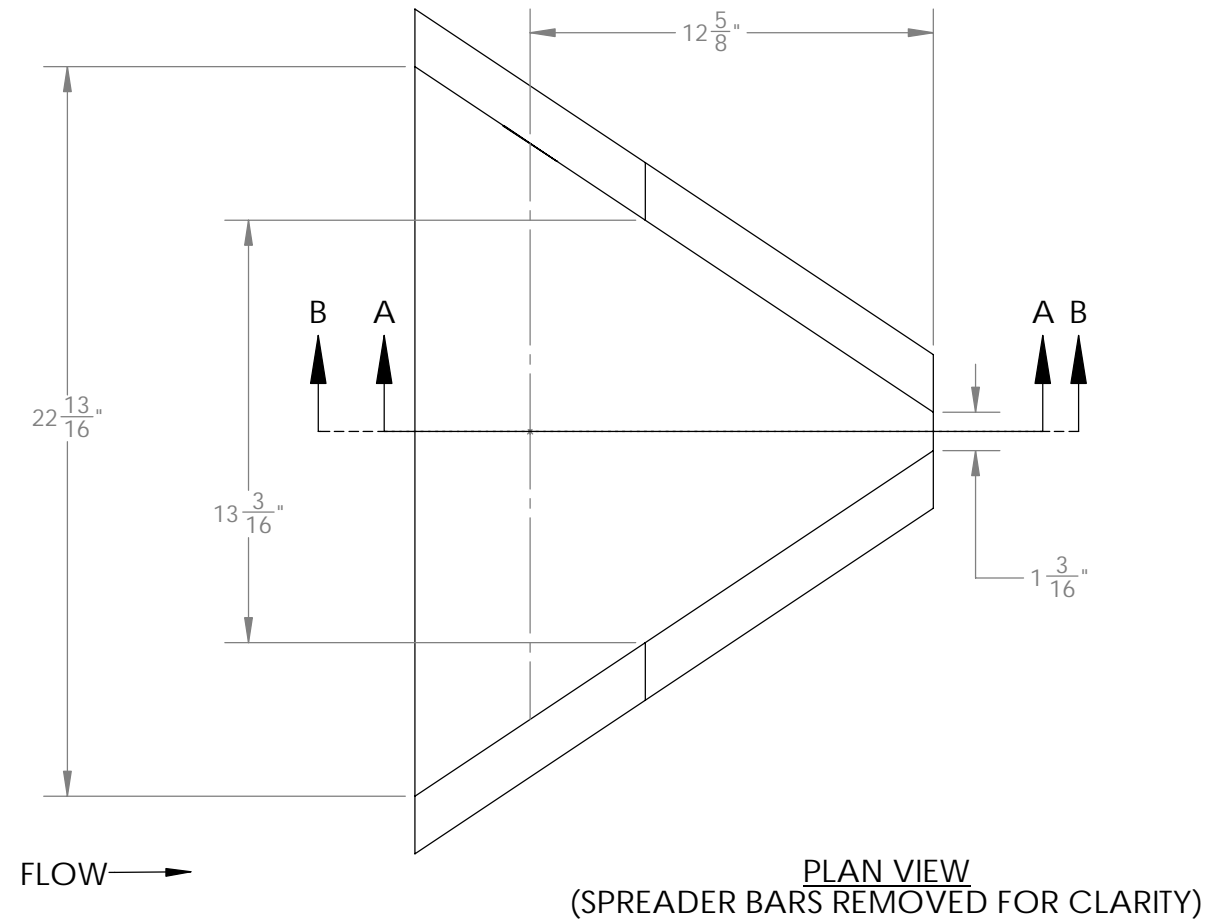
TITLE: 0.75H FLUME

Project: NO OPTIONS

SIZE B	DWG. NO.	REV A
--------	----------	-------

SCALE: 1:8 Weight 12.22 SHEET 2 OF 5

8 7 6 5 4 3 2 1



PROPRIETARY AND CONFIDENTIAL
THE INFORMATION CONTAINED IN THIS DRAWING IS THE SOLE PROPERTY OF Virtual Polymer Compounds, LLC. ANY REPRODUCTION IN PART OR AS A WHOLE WITHOUT THE WRITTEN PERMISSION OF Virtual Polymer Compounds, LLC IS PROHIBITED.

UNLESS OTHERWISE SPECIFIED:
DIMENSIONS ARE IN INCHES
TOLERANCES:
FRACTIONAL ±
ANGULAR: MACH ± BEND ±
TWO PLACE DECIMAL ±
THREE PLACE DECIMAL ±

INTERPRET GEOMETRIC TOLERANCING PER:
MATERIAL
POLYESTER RESIN
FINISH

DO NOT SCALE DRAWING

NAME	DATE
LVR	8/28/2020
CHECKED	
ENG APPR.	
MFG APPR.	
Q.A.	

COMMENTS:
3rd ANGLE PROJECTION

VPC 10478 Ridge Rd.,
Medina NY 14103
Toll Free: 888-290-9522
FIBERGLASS Phone: 585-735-9668

TITLE: 0.75H FLUME

Project: NO OPTIONS

SIZE B	DWG. NO.	REV A
------------------	----------	----------

SCALE: 1:6 Weight 12.22 SHEET 3 OF 5

8 7 6 5 4 3 2 1

D

D

C

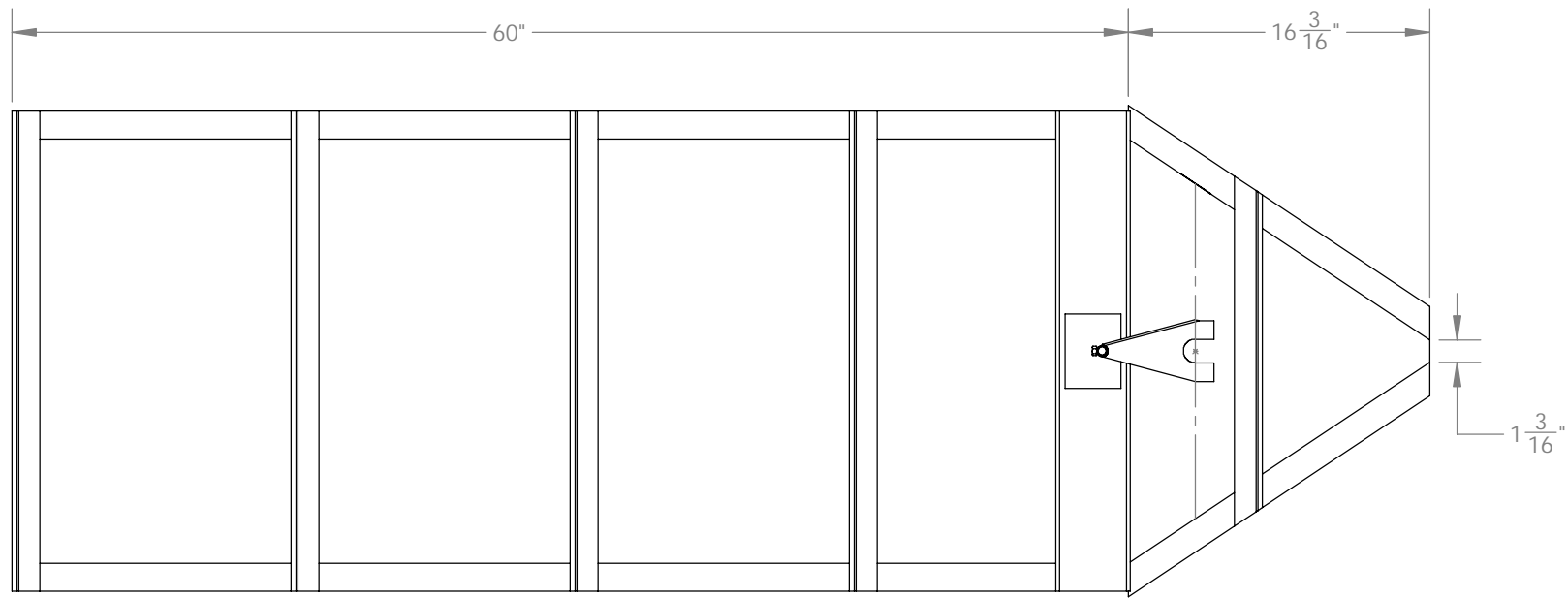
C

B

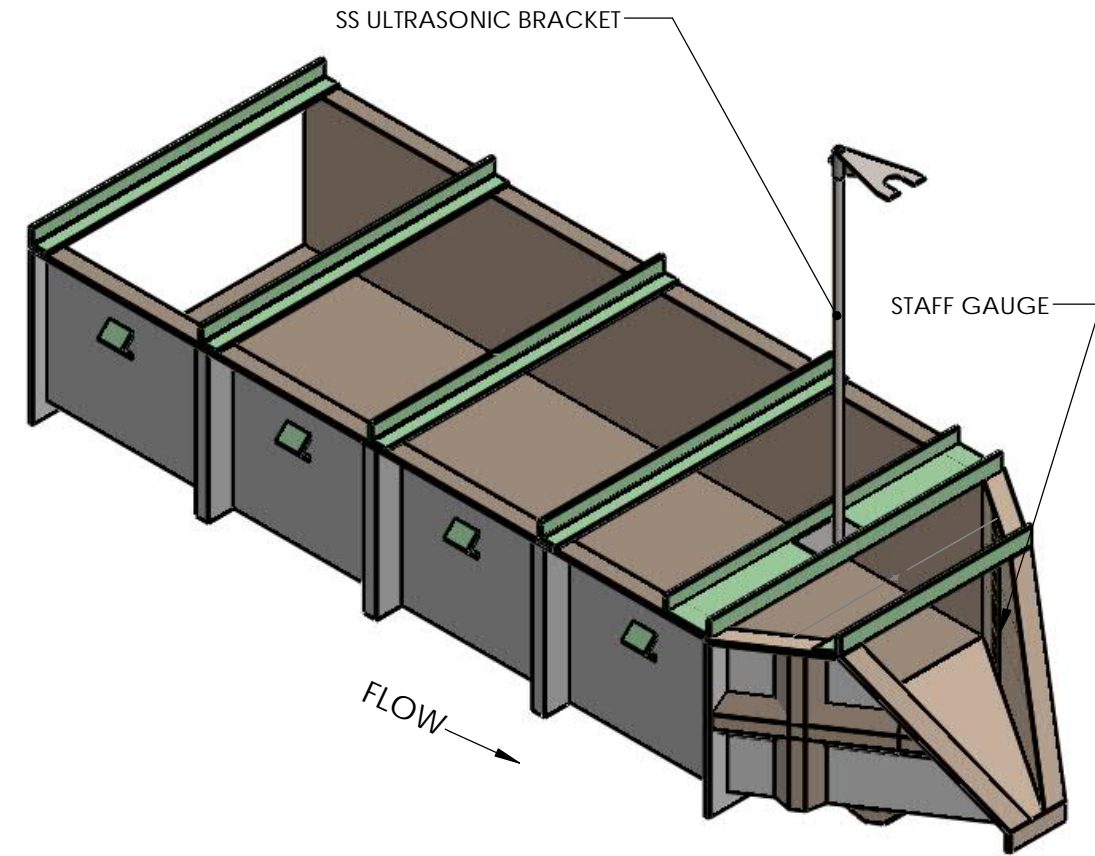
B

A

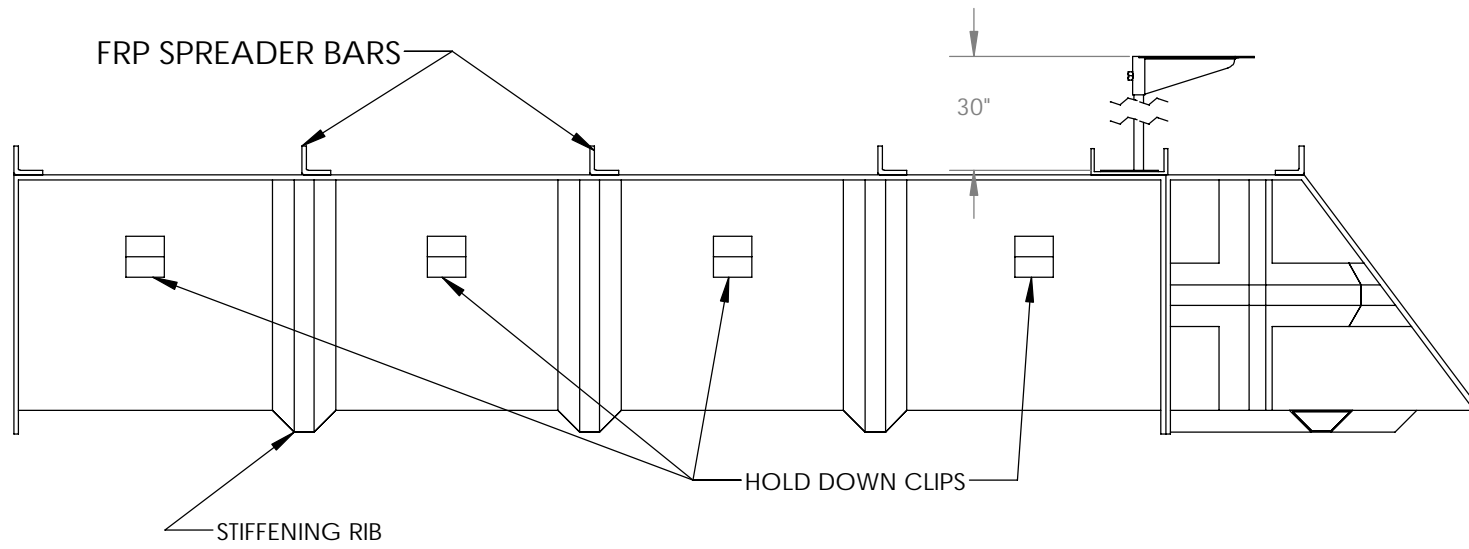
A



FLOW → PLAN VIEW




ISOMETRIC VIEW
SCALE: 1:12

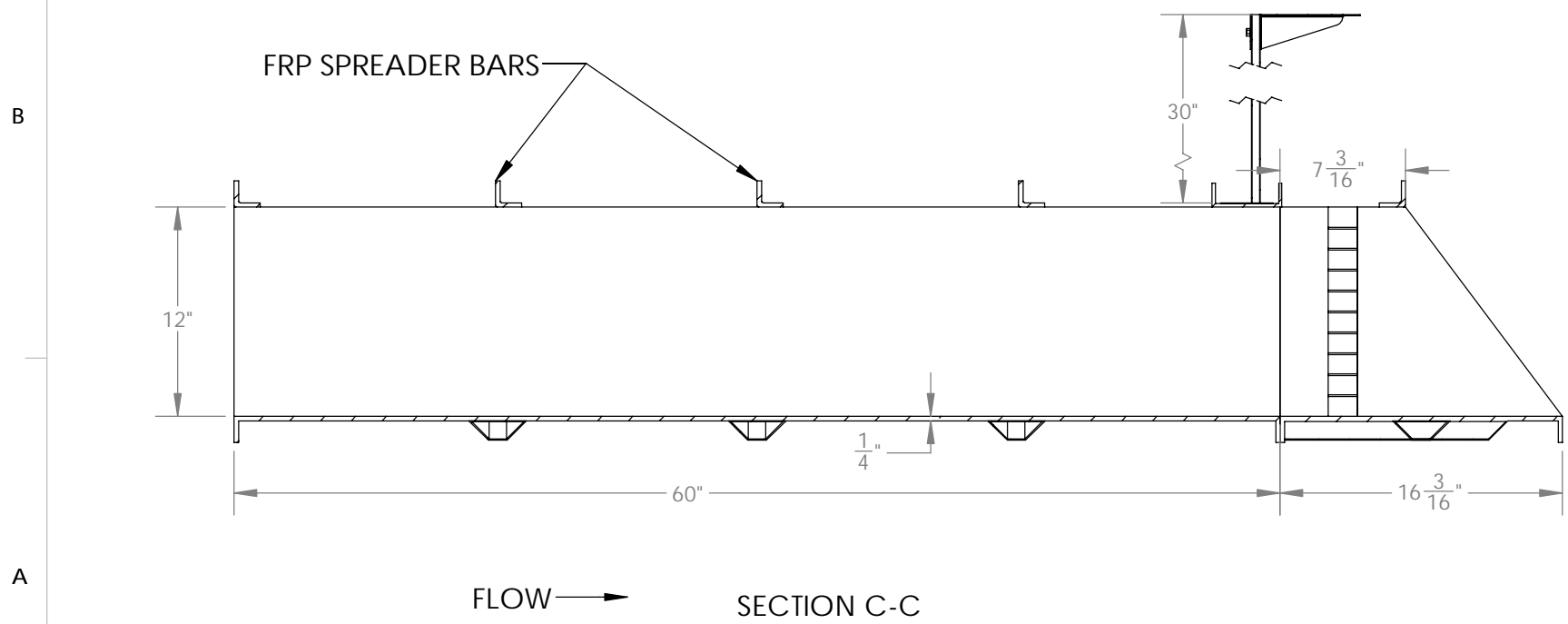
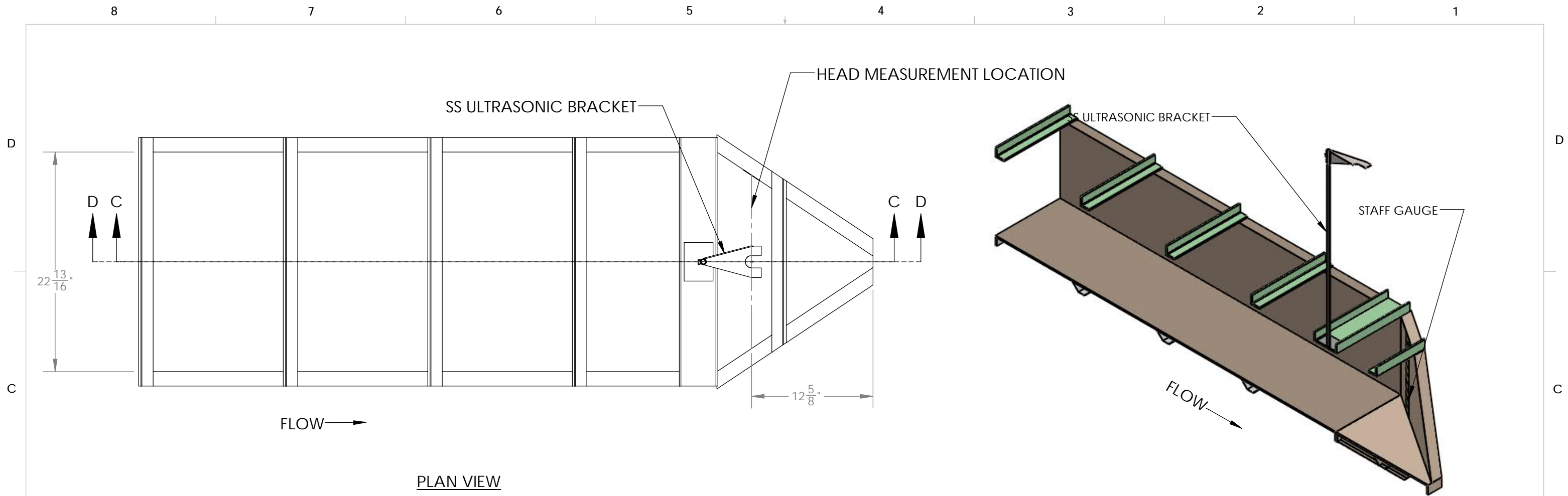


FLOW → SIDE VIEW


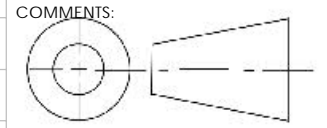
PROPRIETARY AND CONFIDENTIAL
THE INFORMATION CONTAINED IN THIS DRAWING IS THE SOLE PROPERTY OF Virtual Polymer Compounds, LLC. ANY REPRODUCTION IN PART OR AS A WHOLE WITHOUT THE WRITTEN PERMISSION OF Virtual Polymer Compounds, LLC IS PROHIBITED.

UNLESS OTHERWISE SPECIFIED:		NAME	DATE	 VPC 10478 Ridge Rd., Medina NY 14103 Toll Free: 888-290-9522 Phone: 585-735-9668
DIMENSIONS ARE IN INCHES TOLERANCES: FRACTIONAL ± ANGULAR: MACH ± BEND ± TWO PLACE DECIMAL ± THREE PLACE DECIMAL ±		DRAWN	LVR 8/28/2020	
INTERPRET GEOMETRIC TOLERANCING PER:		CHECKED		TITLE: 1.0H FLUME
MATERIAL POLYESTER RESIN FINISH		ENG APPR.		Project: WITH OPTIONS
DO NOT SCALE DRAWING		MFG APPR.		SIZE DWG. NO. REV B
3rd ANGLE PROJECTION		Q.A.		SCALE: 1:10 Weight 61.76 SHEET 4 OF 5
		COMMENTS:		

8 7 6 5 4 3 2 1



PROPRIETARY AND CONFIDENTIAL
THE INFORMATION CONTAINED IN THIS DRAWING IS THE SOLE PROPERTY OF Virtual Polymer Compounds, LLC. ANY REPRODUCTION IN PART OR AS A WHOLE WITHOUT THE WRITTEN PERMISSION OF Virtual Polymer Compounds, LLC IS PROHIBITED.

UNLESS OTHERWISE SPECIFIED:		NAME	DATE	 VPC 10478 Ridge Rd., Medina NY 14103 Toll Free: 888-290-9522 Phone: 585-735-9668
DIMENSIONS ARE IN INCHES TOLERANCES: FRACTIONAL ± ANGULAR: MACH ± BEND ± TWO PLACE DECIMAL ± THREE PLACE DECIMAL ±		DRAWN	LVR 8/28/2020	
INTERPRET GEOMETRIC TOLERANCING PER:		CHECKED		TITLE: 1.0H FLUME
MATERIAL POLYESTER RESIN FINISH		ENG APPR.		Project: WITH OPTIONS
DO NOT SCALE DRAWING		MFG APPR.		SIZE DWG. NO. REV B
		Q.A.		SCALE: 1:10 Weight 61.76 SHEET 5 OF 5
		COMMENTS:	 3rd ANGLE PROJECTION	