

8

7

6

5

4

3

2

1

F

F

E

E

D

D

C

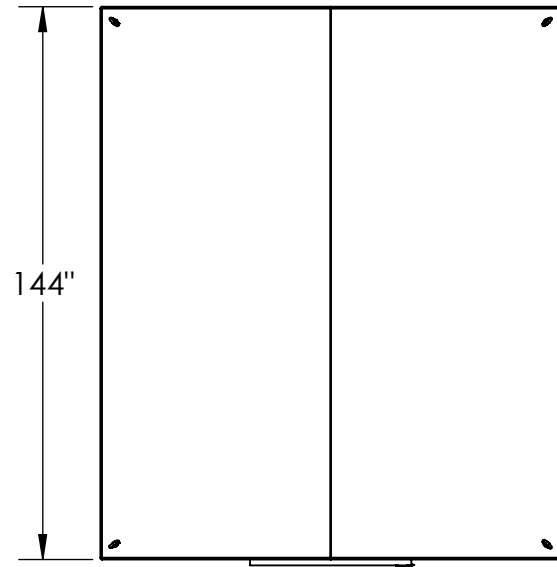
C

B

B

A

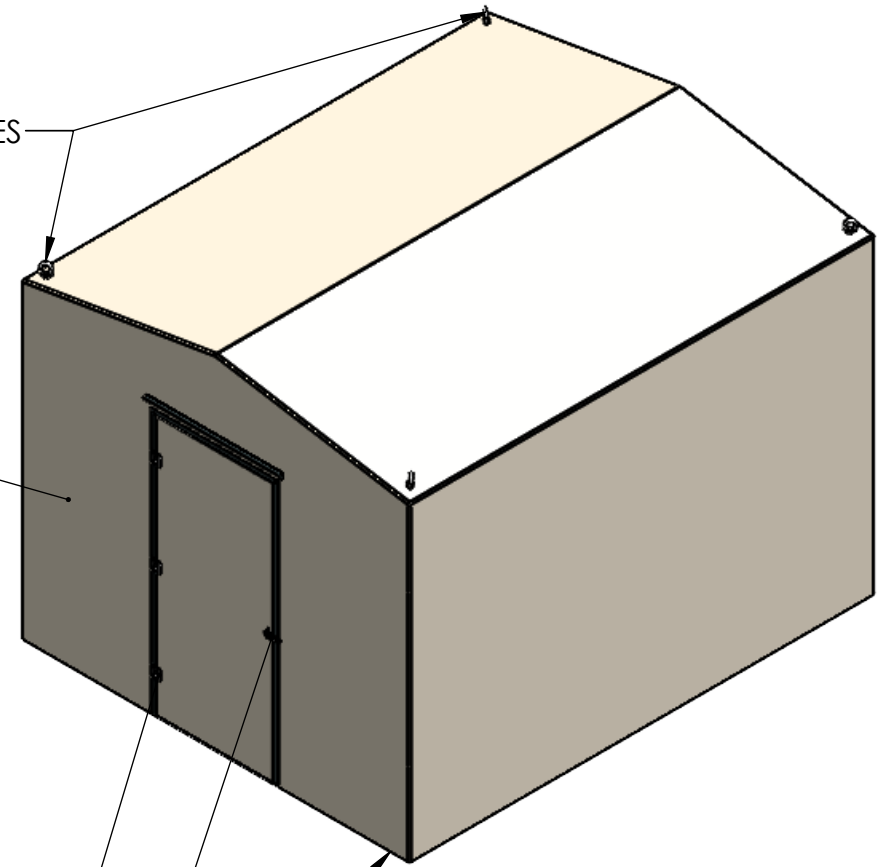
A



R7 INSULATION VALUE STANDARD.
HIGHER R VALUES AVAILABLE.

20 MIL POLYESTER BEIGE GELCOAT ON EXTERIOR
AND WHITE ON INTERIOR STANDARD. OTHER RESIN
SYSTEMS AND COLORS OPTIONAL.

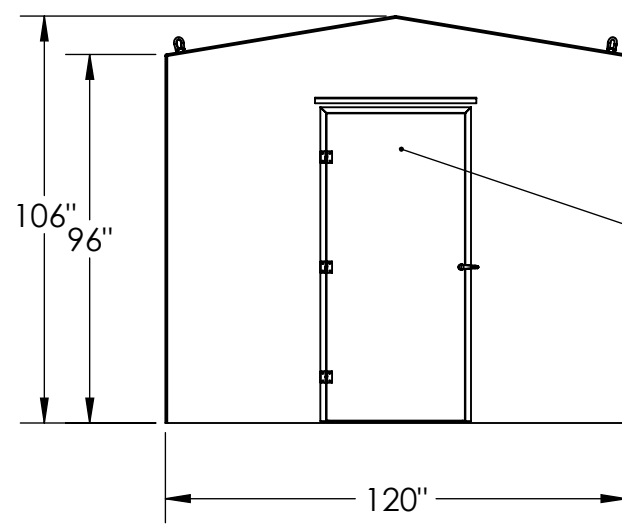
LIFTING EYES



3" INTERNAL MOUNTING FLANGE

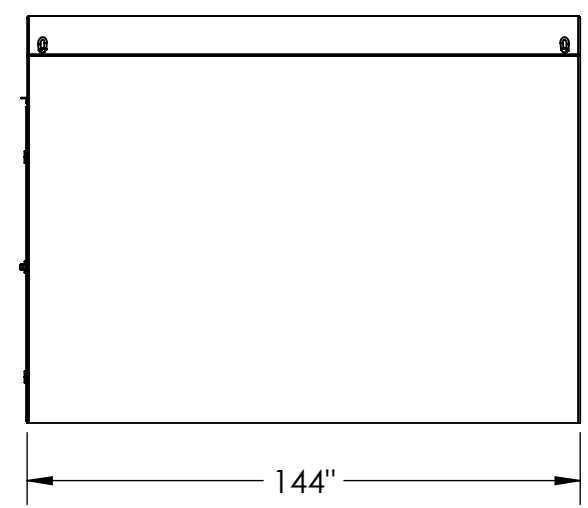
THREE POINT PADLOCKABLE LATCH

STAINLESS STEEL HINGES AND EXTERNAL HARDWARE



36"x80" DOOR
(NOMINAL)

120"



CUSTOM CONFIGURATIONS AVAILABLE!

COMMON OPTIONAL FEATURES:

- 110/220V LOAD CENTER W 100A MAIN
- EXTERNAL FIXED LOUVERS FOR VENTILATION
- VENTILATION FAN WITH REMOTE THERMOSTAT
- 110V CEILING MOUNTED LIGHT WITH WALL SWITCH
- 3/8" INTEGRAL FIBERGLASS FLOOR
- EQUIPMENT MOUNTING BOARD
- WALL MOUNTED UNISTRUT
- WINDOWS
- DOUBLE DOORS

PROPRIETARY AND CONFIDENTIAL
THE INFORMATION CONTAINED IN THIS
DRAWING IS THE SOLE PROPERTY OF
VIRTUAL POLYMER COMPOUNDS. ANY
REPRODUCTION IN PART OR AS A WHOLE
WITHOUT THE WRITTEN PERMISSION OF
VIRTUAL POLYMER COMPOUNDS IS
PROHIBITED.

		UNLESS OTHERWISE SPECIFIED:		NAME	DATE
		DIMENSIONS ARE IN INCHES		DRAWN	CD 10/22/2020
		TOLERANCES:		CHECKED	---
		FRACTIONAL ±		ENG APPR.	---
		ANGULAR: MACH ± BEND ±		MFG APPR.	---
		TWO PLACE DECIMAL ±		Q.A.	---
		THREE PLACE DECIMAL ±		COMMENTS:	
		INTERPRET GEOMETRIC TOLERANCING PER:			
		MATERIAL:			
		FINISH:			
NEXT ASSY	USED ON				
APPLICATION		DO NOT SCALE DRAWING			

VPC FIBERGLASS Virtual Polymer Compounds VPC Fiberglass
vpcfiberglass.com 1 800 719 9005 E 118.542.6190
2427 E. 117th St. - Tulsa, OK 74117

TITLE:
10'X12'X8' CUSTOM FIBERGLASS ENCLOSURE

SIZE	DWG. NO.	REV
B	10'X12'X8' BUILDING	-

SCALE: WEIGHT: SHEET 1 OF 3

8

7

6

5

4

3

2

1

F

E

D

C

B

A

F

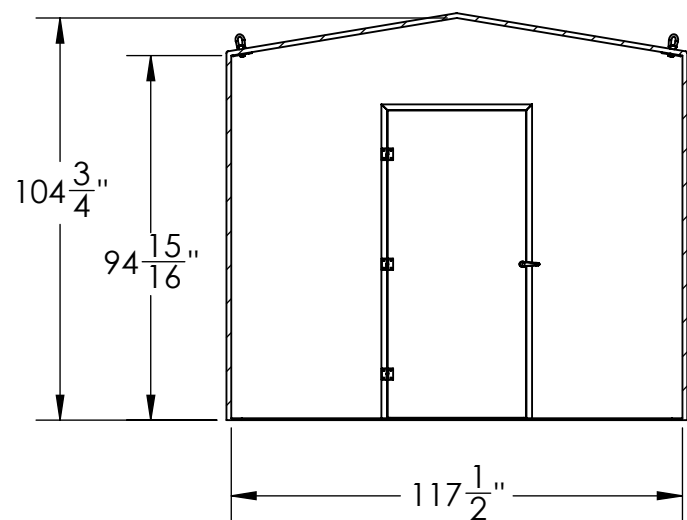
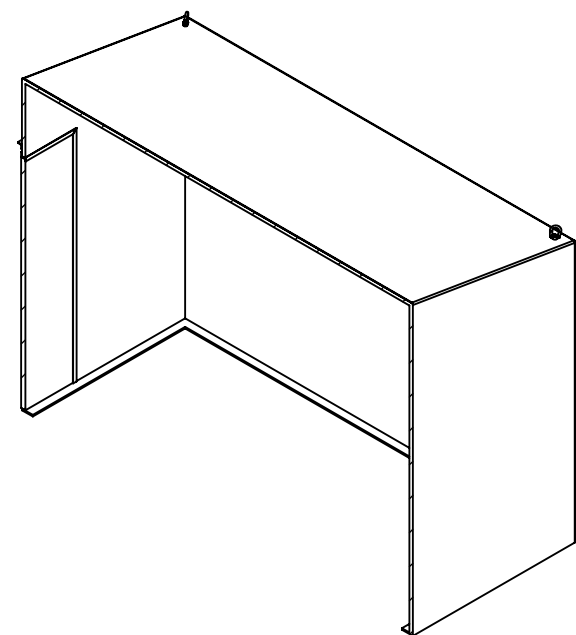
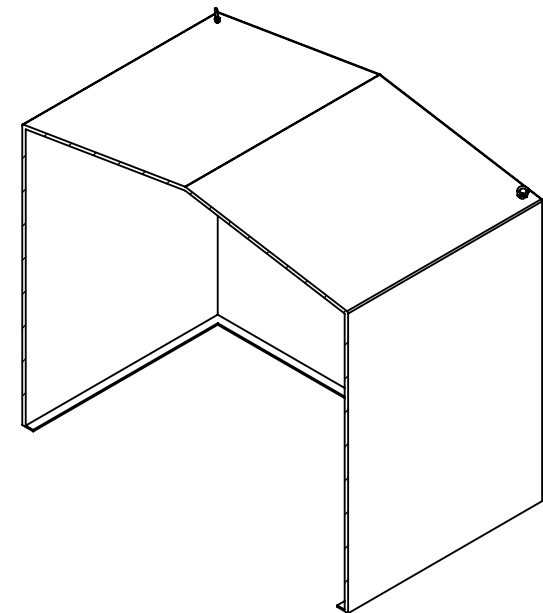
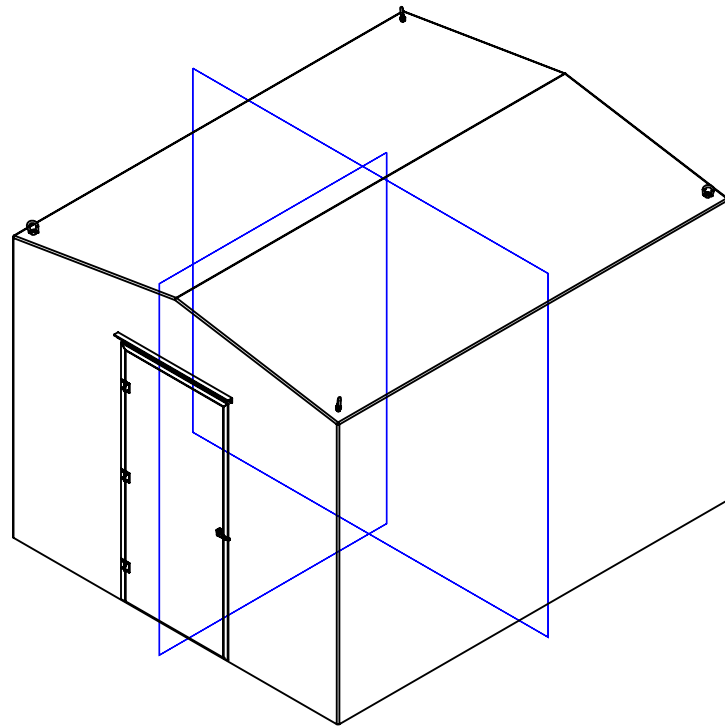
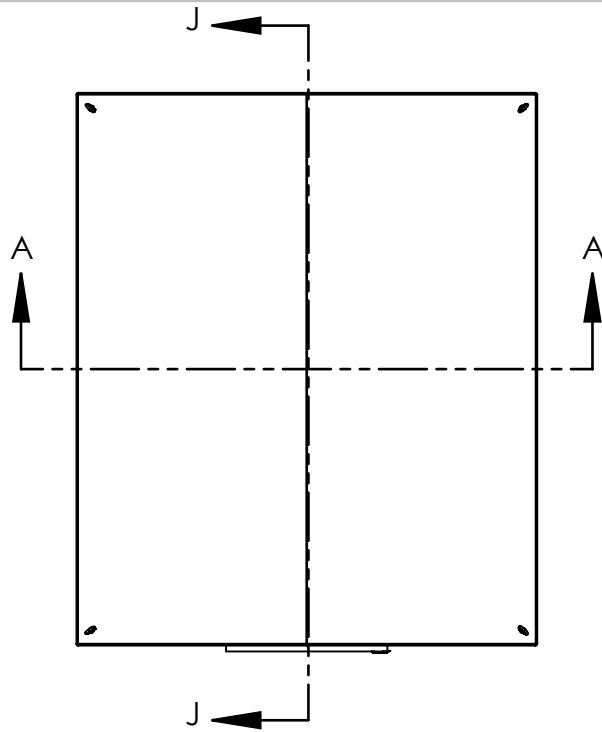
E

D

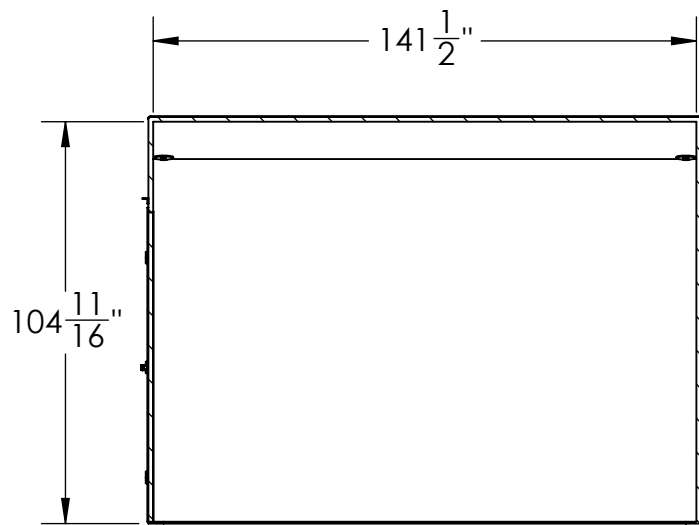
C

B

A




SECTION A-A
SCALE 1 : 50



SECTION J-J
SCALE 1 : 50

PROPRIETARY AND CONFIDENTIAL
THE INFORMATION CONTAINED IN THIS DRAWING IS THE SOLE PROPERTY OF VIRTUAL POLYMER COMPOUNDS. ANY REPRODUCTION IN PART OR AS A WHOLE WITHOUT THE WRITTEN PERMISSION OF VIRTUAL POLYMER COMPOUNDS IS PROHIBITED.

		UNLESS OTHERWISE SPECIFIED:		NAME	DATE
		DIMENSIONS ARE IN INCHES		DRAWN	CD 10/22/2020
		TOLERANCES:		CHECKED	---
		FRACTIONAL ±		ENG APPR.	---
		ANGULAR: MACH ± BEND ±		MFG APPR.	---
		TWO PLACE DECIMAL ±		Q.A.	---
		THREE PLACE DECIMAL ±		COMMENTS:	
		INTERPRET GEOMETRIC TOLERANCING PER:			
		MATERIAL:			
		FINISH:			
NEXT ASSY	USED ON	DO NOT SCALE DRAWING			
APPLICATION					
				 Virtual Polymer Compounds VPC Fiberglass vpcfiberglass.com 7065 129065 F 118.542.6190 2427 E. 17th St. Mesa, AZ 85205	
		TITLE:		10'X12'X8' CUSTOM FIBERGLASS ENCLOSURE	
SIZE	DWG. NO.	REV			
B	10'X12'X8' BUILDING	-			
SCALE:	WEIGHT:	SHEET 2 OF 3			

8

7

6

5

4

3

2

1

8

7

6

5

4

3

2

1

F

E

D

C

B

A

F

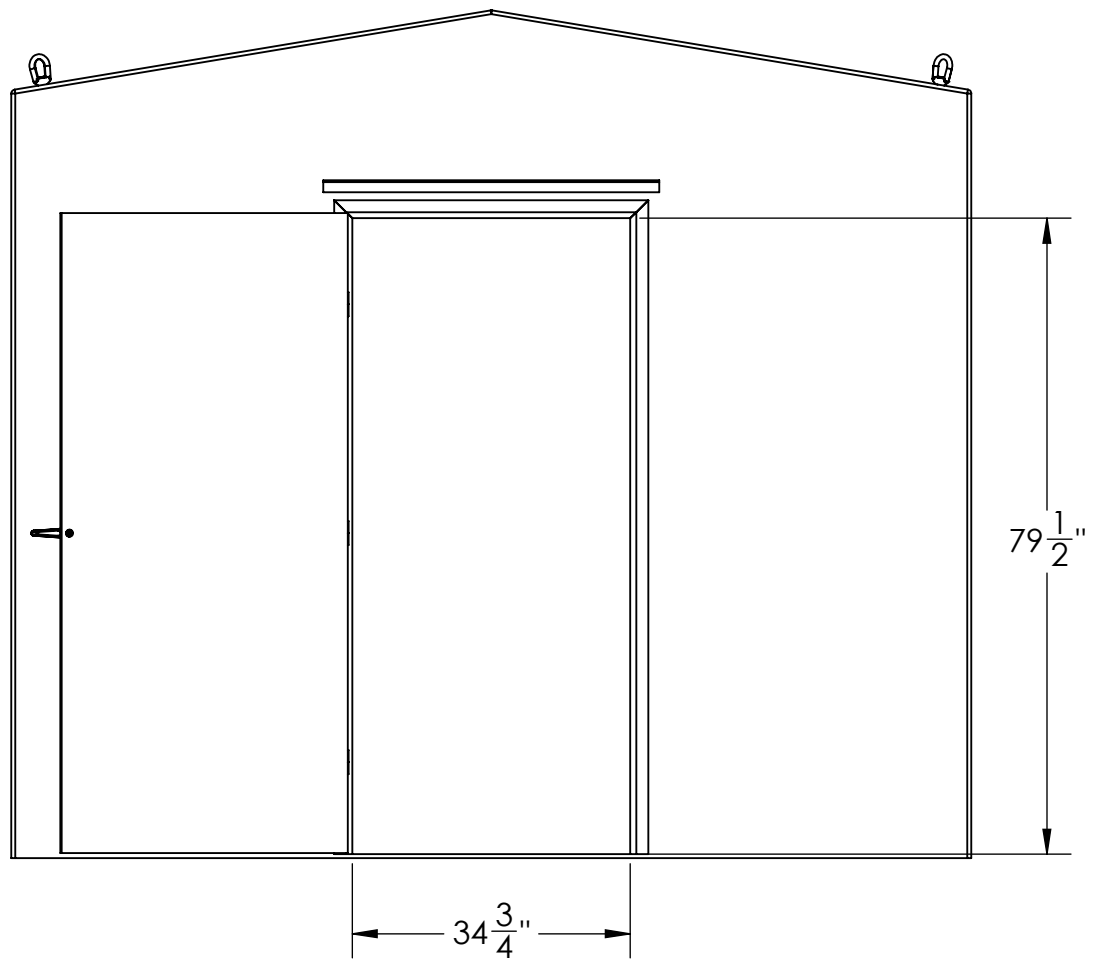
E

D

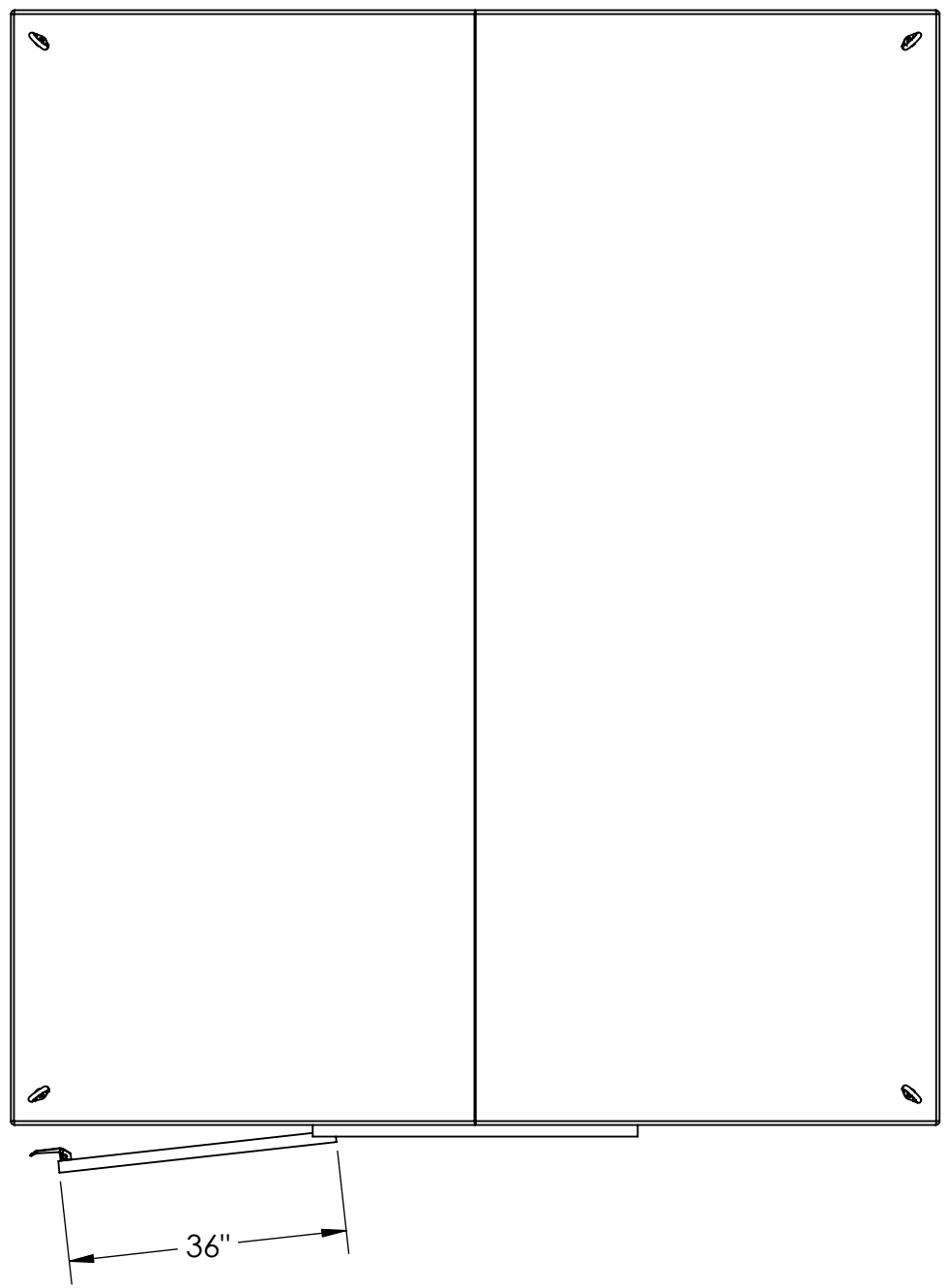
C

B

A




DOOR CLEAR OPENING



DOOR SWING

OTHER SIZED DOORS AVAILABLE TO MEET YOUR NEEDS

PROPRIETARY AND CONFIDENTIAL
 THE INFORMATION CONTAINED IN THIS DRAWING IS THE SOLE PROPERTY OF VIRTUAL POLYMER COMPOUNDS. ANY REPRODUCTION IN PART OR AS A WHOLE WITHOUT THE WRITTEN PERMISSION OF VIRTUAL POLYMER COMPOUNDS IS PROHIBITED.

		UNLESS OTHERWISE SPECIFIED:		NAME	DATE	 VPC FIBERGLASS <small>Virtual Polymer Compounds VPC Fiberglass vpcfiberglass.com 11 800.717.9005 F 216.542.6100 2427 E. 17th St. - Medina, OH 44130</small>	
		DIMENSIONS ARE IN INCHES		DRAWN	CD		10/22/2020
		TOLERANCES:		CHECKED	---		---
		FRACTIONAL ±		ENG APPR.	---		---
		ANGULAR: MACH ± BEND ±		MFG APPR.	---		---
		TWO PLACE DECIMAL ±		Q.A.	---	---	
		THREE PLACE DECIMAL ±		COMMENTS:			
		INTERPRET GEOMETRIC TOLERANCING PER:					
		MATERIAL:					
		FINISH:					
NEXT ASSY	USED ON						
APPLICATION		DO NOT SCALE DRAWING					
				SIZE	DWG. NO.	REV	
				B	10'X12'X8' BUILDING	-	
				SCALE:	WEIGHT:	SHEET 3 OF 3	