
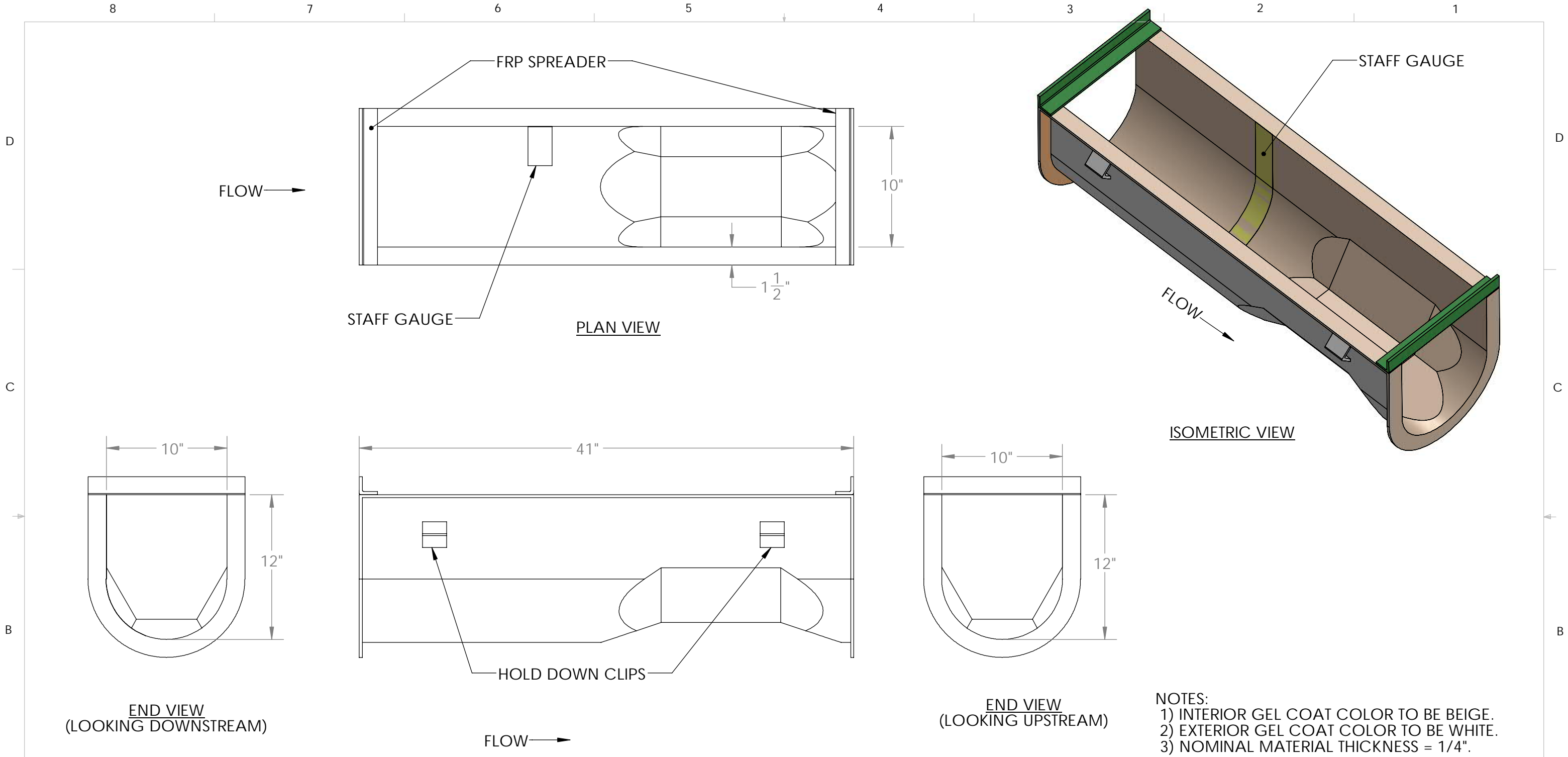


- AVAILABLE OPTIONS:**
- STAFF GAUGE (ENGLISH OR METRIC).
 - STILLING WELL (INTEGRAL OR REMOTE).
 - BUBBLER TUBE (SS 1/4" ID, INTEGRAL OR REMOVABLE).
 - SAMPLER TUBE (SS 3/8" ID, INTEGRAL OR REMOVABLE).
 - INLET AND OUTLET PIPE STUBS.
 - FLARED INLET AND OUTLET TRANSITIONS PIPE STUBS.
 - INLET AND OUTLET BULKHEADS.
 - RUBBER PIPE COUPLERS W/ SS CLAMP BANDS.
 - ADJUSTABLE SS ULTRASONIC BRACKET.
 - PH PROBE CAVITY.
 - ENERGY ABSORBING RACKS. (FIXED OR REMOVABLE).
 - STANDARD OR SPECIAL DEPTHS (INCLUDING SURGE BOXES).
 - FLUME COVERS (GRATING, FIBER SHEETING, CLEAR POLYCARBONATE).
 - CUT BACK DESIGN.
 - INSERT DESIGN.
 - SPECIAL DESIGN (TO MEET SPECIAL PROJECT NEEDS).
 - STANDARD COLOR IS BEIGE (CUSTOM COLORS AVAILABLE).

PROPRIETARY AND CONFIDENTIAL
 THE INFORMATION CONTAINED IN THIS
 DRAWING IS THE SOLE PROPERTY OF
 VIRTUAL POLYMER COMPOUNDS, LLC. ANY
 REPRODUCTION IN PART OR AS A WHOLE
 WITHOUT THE WRITTEN PERMISSION OF
 VIRTUAL POLYMER COMPOUNDS, LLC IS
 PROHIBITED.

UNLESS OTHERWISE SPECIFIED:		NAME	DATE	 VPC FIBERGLASS 10478 Ridge Rd., Medina NY 14103 Toll Free: 888-290-9522 Phone: 585-735-9668	
DIMENSIONS ARE IN INCHES		DRAWN	LVR		9/17/2020
TOLERANCES:		CHECKED			
FRACTIONAL ±		ENG APPR.			
ANGULAR: MACH ± BEND ±		MFG APPR.			
TWO PLACE DECIMAL ±		Q.A.			
THREE PLACE DECIMAL ±				TITLE: 10 IN PALMER BOWLUS FLUME	
INTERPRET GEOMETRIC TOLERANCING PER:				Project: WITH OPTIONS	
MATERIAL POLYESTER RESIN				SIZE DWG. NO. REV	
FINISH				B A	
DO NOT SCALE DRAWING		3rd ANGLE PROJECTION		SCALE: 1:8 Weight 30.98 SHEET 1 OF 5	



- NOTES:**
- 1) INTERIOR GEL COAT COLOR TO BE BEIGE.
 - 2) EXTERIOR GEL COAT COLOR TO BE WHITE.
 - 3) NOMINAL MATERIAL THICKNESS = 1/4".

PROPRIETARY AND CONFIDENTIAL
 THE INFORMATION CONTAINED IN THIS DRAWING IS THE SOLE PROPERTY OF VIRTUAL POLYMER COMPOUNDS, LLC. ANY REPRODUCTION IN PART OR AS A WHOLE WITHOUT THE WRITTEN PERMISSION OF VIRTUAL POLYMER COMPOUNDS, LLC IS PROHIBITED.

UNLESS OTHERWISE SPECIFIED:

DIMENSIONS ARE IN INCHES
 TOLERANCES:
 FRACTIONAL ±
 ANGULAR: MACH ± BEND ±
 TWO PLACE DECIMAL ±
 THREE PLACE DECIMAL ±

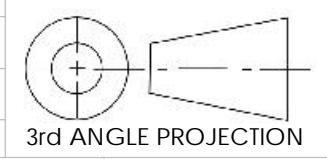
INTERPRET GEOMETRIC TOLERANCING PER:
 MATERIAL POLYESTER RESIN
 FINISH

DO NOT SCALE DRAWING

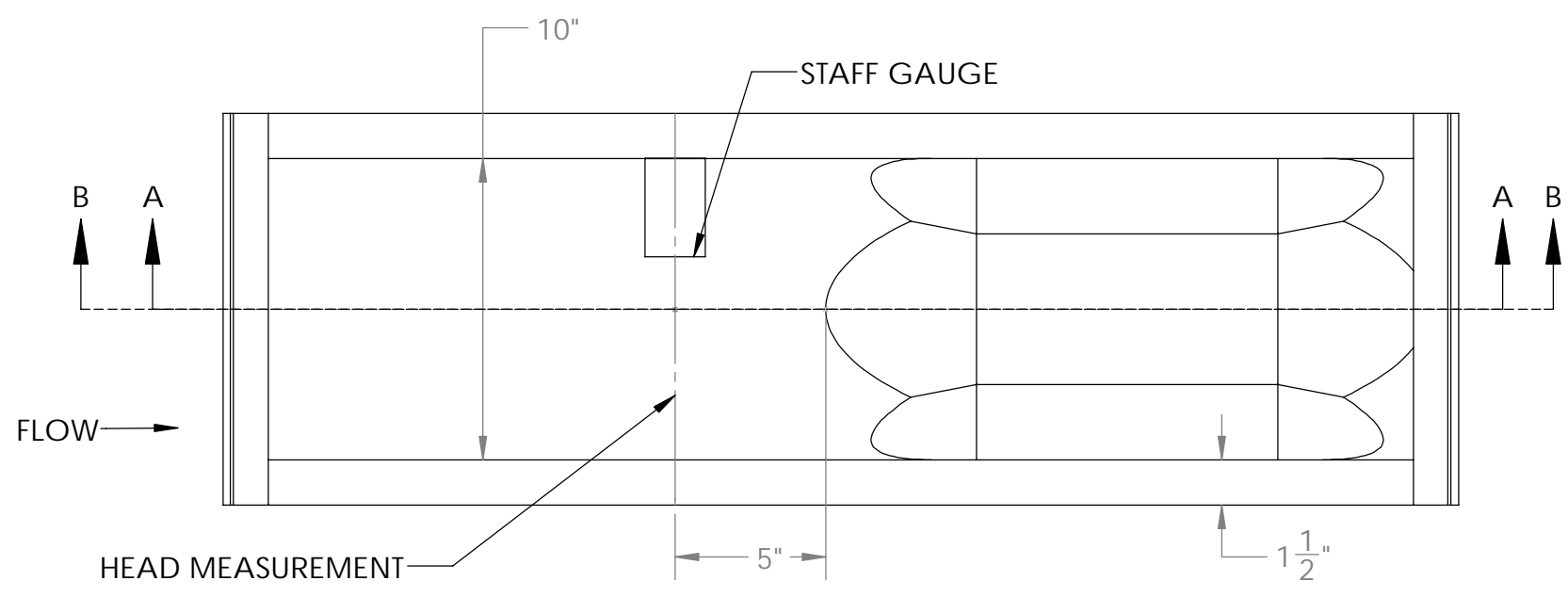
	NAME	DATE
DRAWN	LVR	9/17/2020
CHECKED		
ENG APPR.		
MFG APPR.		
Q.A.		

VPC FIBERGLASS 10478 Ridge Rd., Medina NY 14103
 Toll Free: 888-290-9522
 Phone: 585-735-9668

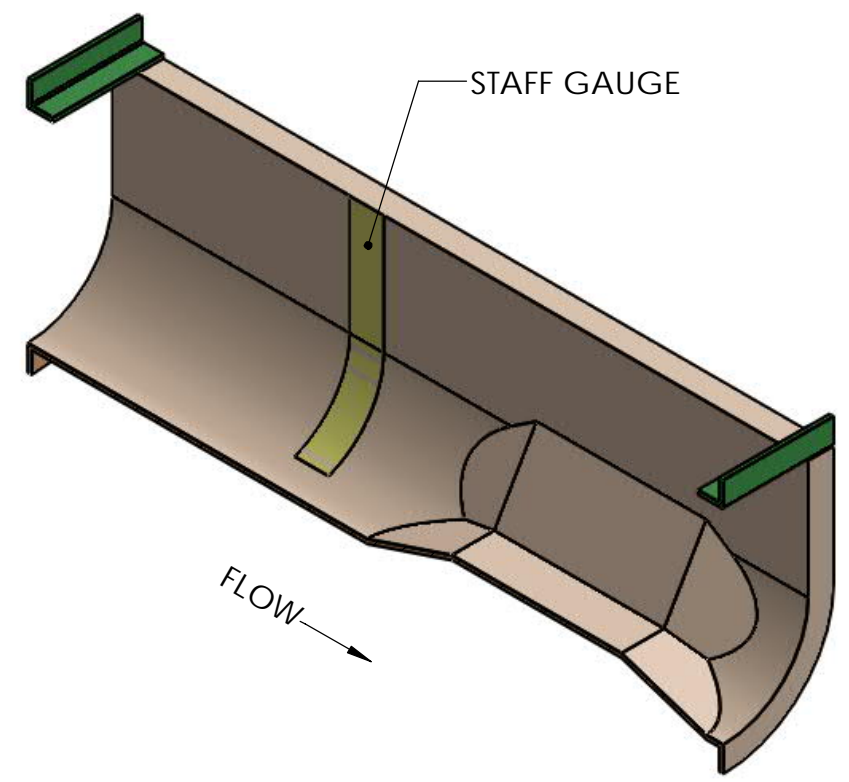
TITLE: 10 IN PALMER BOWLUS FLUME		
Project: WITHOUT OPTIONS		
SIZE B	DWG. NO.	REV A
SCALE: 1:8	Weight 13.36	SHEET 2 OF 5



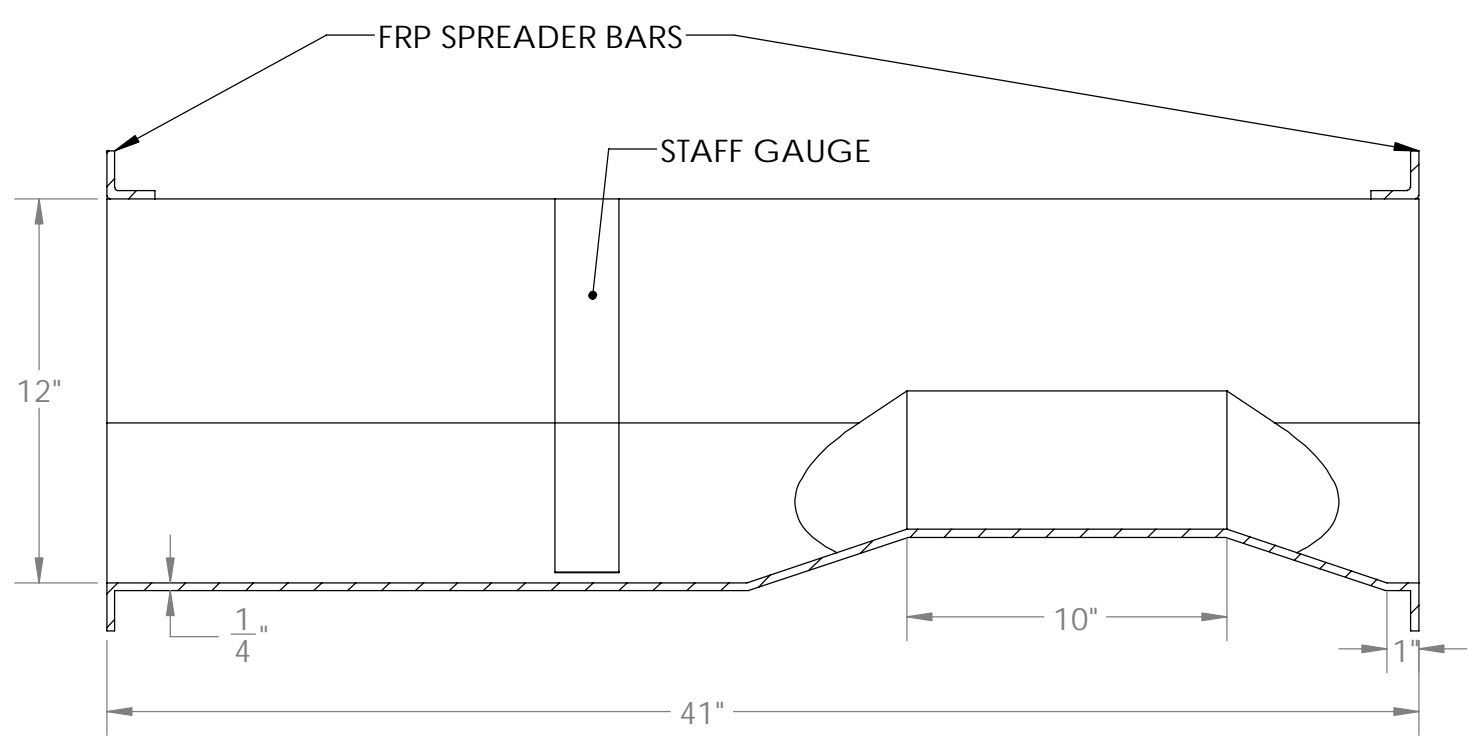
8 7 6 5 4 3 2 1



PLAN VIEW


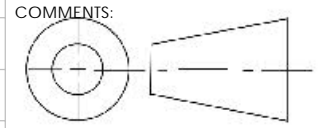


SECTION B-B
SCALE 1 : 8

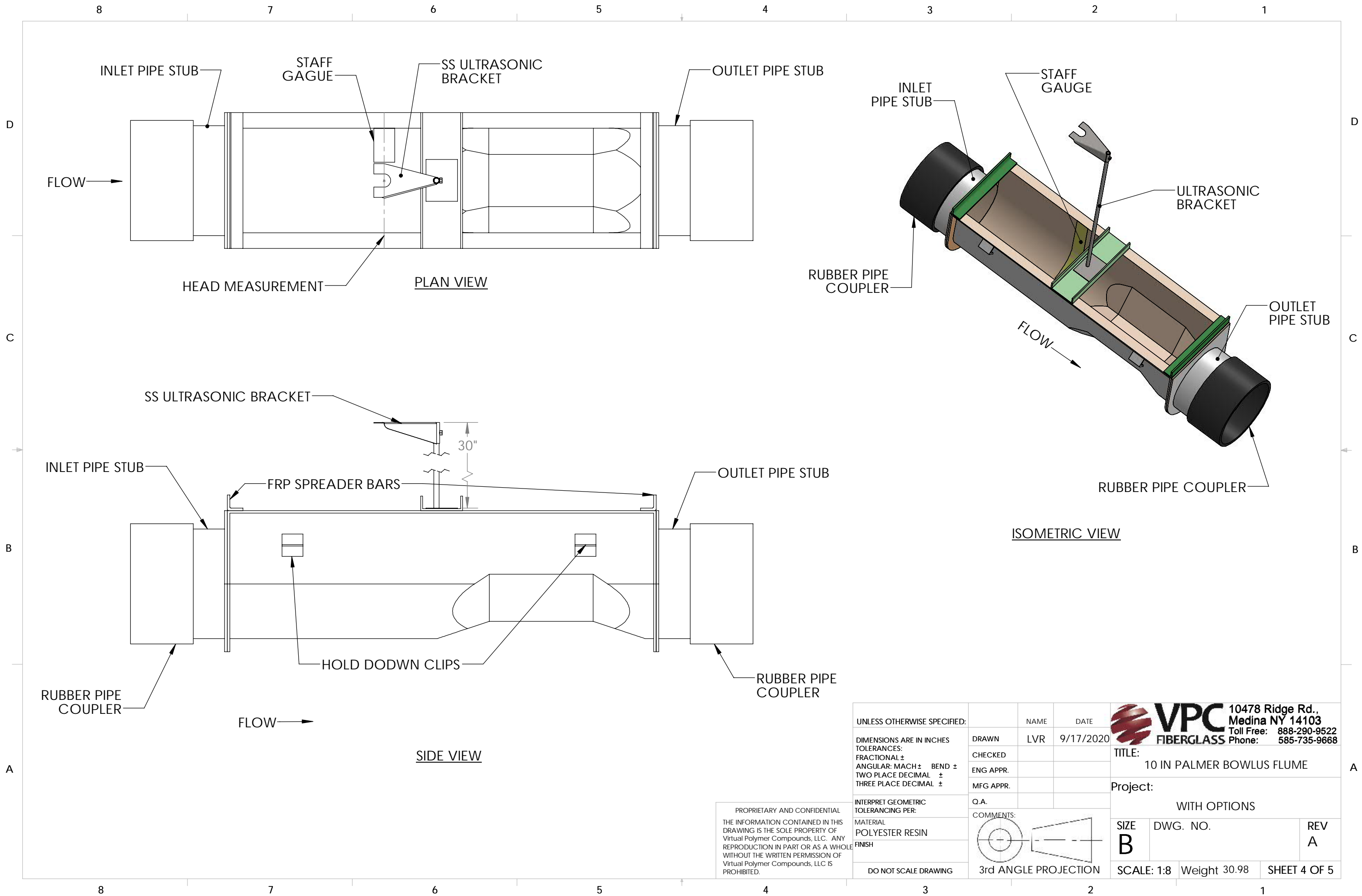


SECTION A-A

PROPRIETARY AND CONFIDENTIAL
THE INFORMATION CONTAINED IN THIS DRAWING IS THE SOLE PROPERTY OF Virtual Polymer Compounds, LLC. ANY REPRODUCTION IN PART OR AS A WHOLE WITHOUT THE WRITTEN PERMISSION OF Virtual Polymer Compounds, LLC IS PROHIBITED.

UNLESS OTHERWISE SPECIFIED:		NAME	DATE	 VPC 10478 Ridge Rd., Medina NY 14103 Toll Free: 888-290-9522 Phone: 585-735-9668
DIMENSIONS ARE IN INCHES TOLERANCES: FRACTIONAL ± ANGULAR: MACH ± BEND ± TWO PLACE DECIMAL ± THREE PLACE DECIMAL ±		DRAWN	LVR 9/17/2020	
INTERPRET GEOMETRIC TOLERANCING PER:		CHECKED		TITLE: 10 IN PALMER BOWLUS FLUME
MATERIAL POLYESTER RESIN FINISH		ENG APPR.		Project: WITHOUT OPTIONS
DO NOT SCALE DRAWING		MFG APPR.		SIZE B
		Q.A.		DWG. NO.
		COMMENTS:		REV A
		 3rd ANGLE PROJECTION		SCALE: 1:6 Weight 13.36 SHEET 3 OF 5

8 7 6 5 4 3 2 1



PROPRIETARY AND CONFIDENTIAL
 THE INFORMATION CONTAINED IN THIS DRAWING IS THE SOLE PROPERTY OF Virtual Polymer Compounds, LLC. ANY REPRODUCTION IN PART OR AS A WHOLE WITHOUT THE WRITTEN PERMISSION OF Virtual Polymer Compounds, LLC IS PROHIBITED.

UNLESS OTHERWISE SPECIFIED:	NAME	DATE
DIMENSIONS ARE IN INCHES	DRAWN	LVR 9/17/2020
TOLERANCES:	CHECKED	
FRACTIONAL ±	ENG APPR.	
ANGULAR: MACH ± BEND ±	MFG APPR.	
TWO PLACE DECIMAL ±	Q.A.	
THREE PLACE DECIMAL ±	COMMENTS:	
INTERPRET GEOMETRIC TOLERANCING PER:		
MATERIAL	3rd ANGLE PROJECTION	
POLYESTER RESIN		
FINISH		
DO NOT SCALE DRAWING		

VPC FIBERGLASS 10478 Ridge Rd., Medina NY 14103
 Toll Free: 888-290-9522 Phone: 585-735-9668

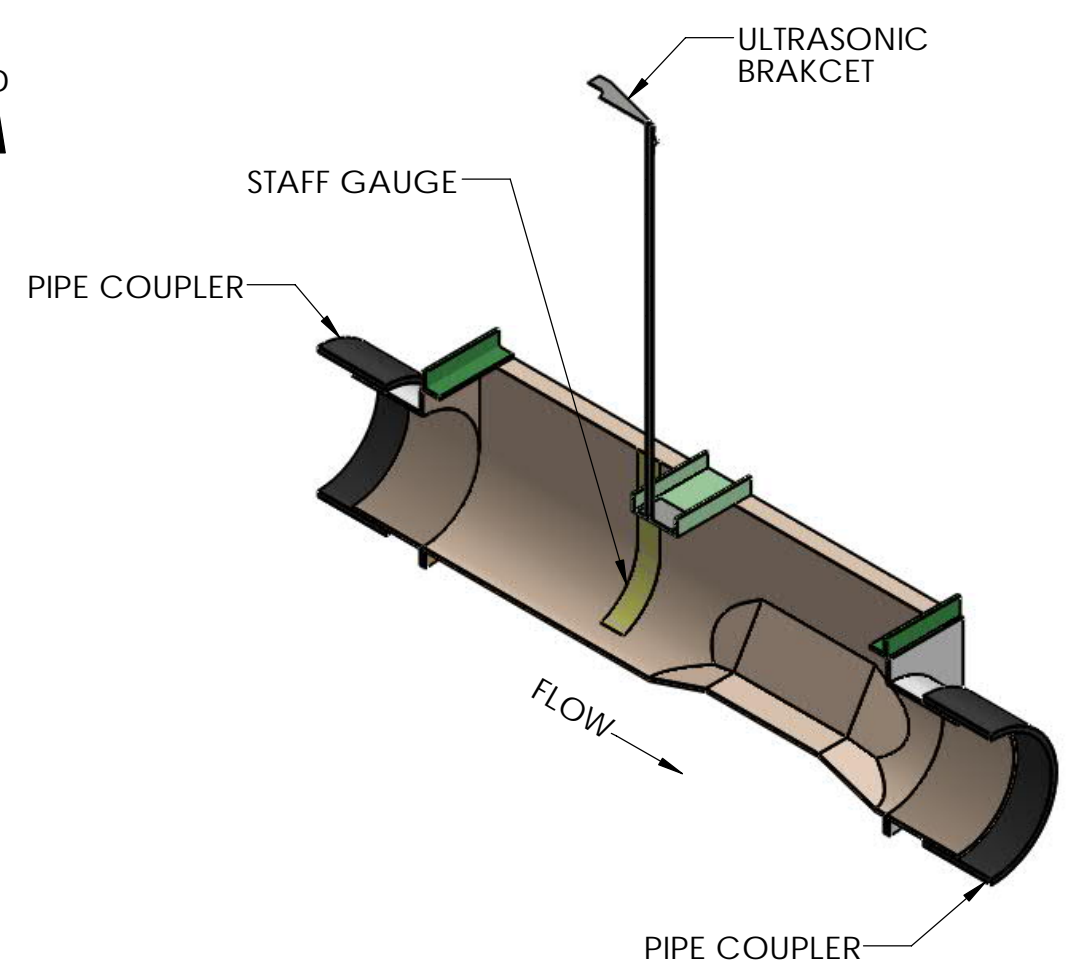
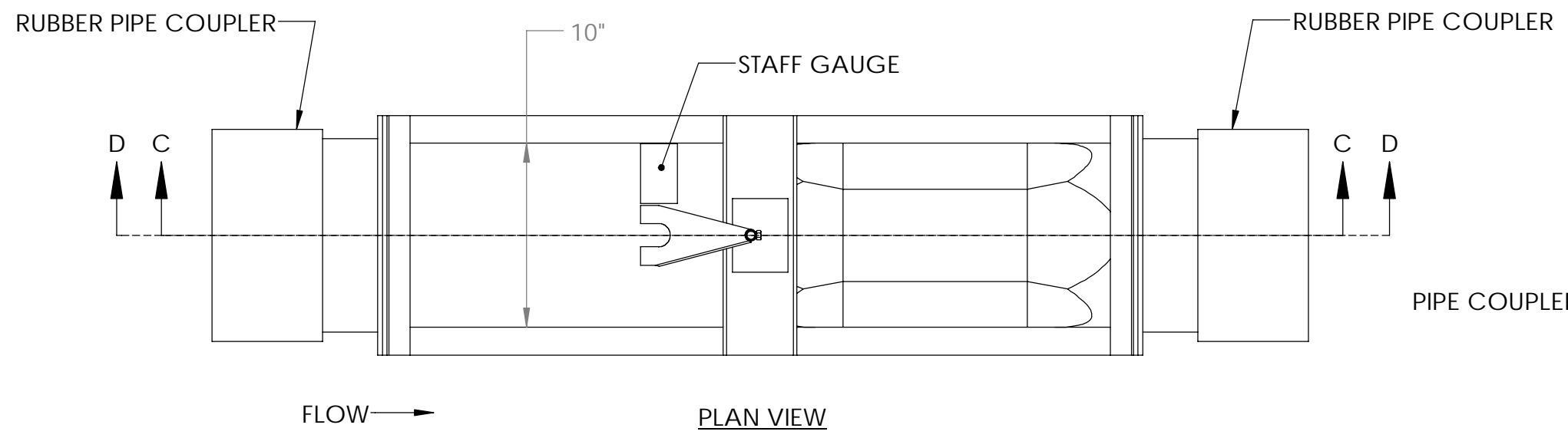
TITLE: 10 IN PALMER BOWLUS FLUME

Project: WITH OPTIONS

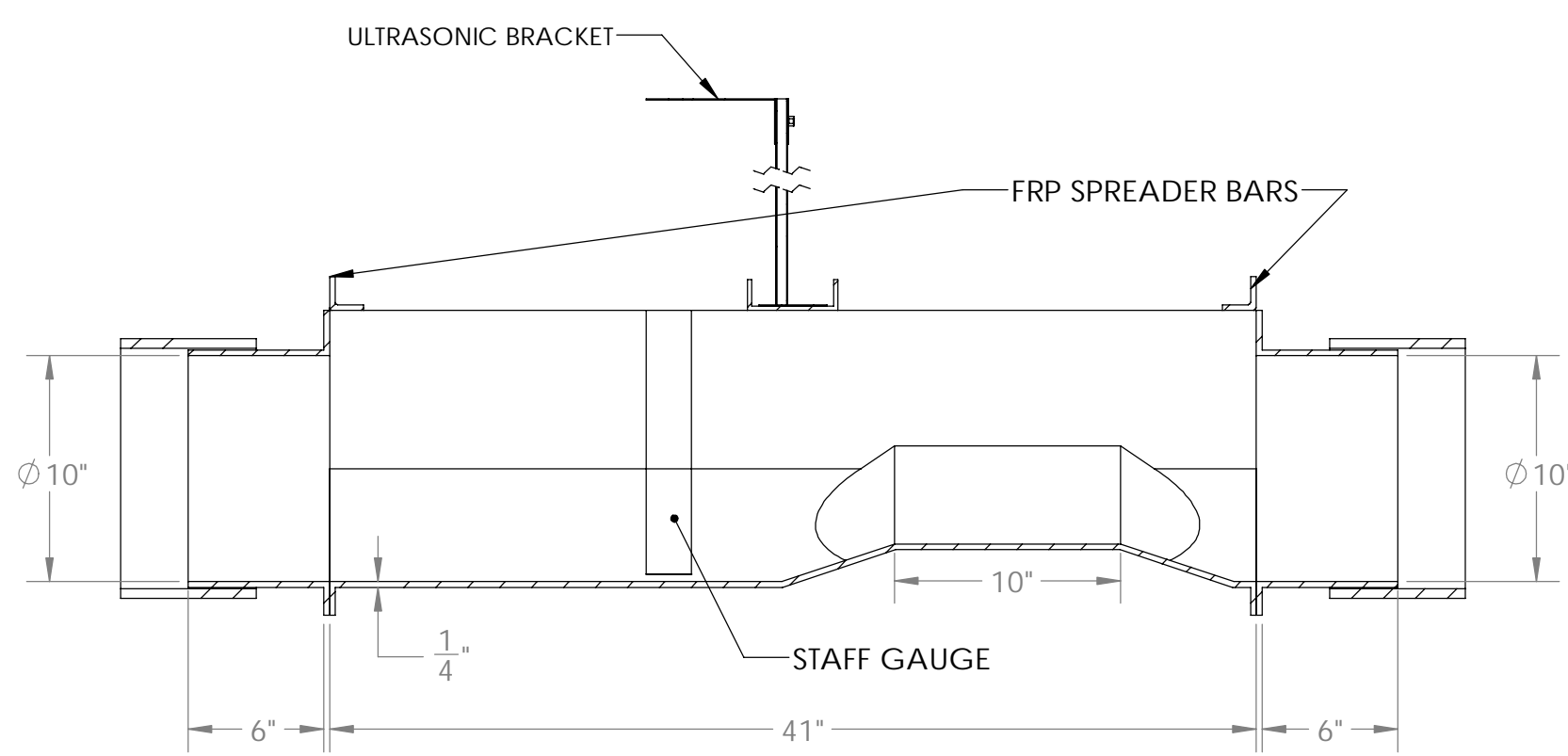
SIZE	DWG. NO.	REV
B		A


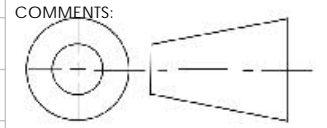
SCALE: 1:8 Weight 30.98 SHEET 4 OF 5

8 7 6 5 4 3 2 1



SECTION D-D
SCALE 1 : 12



UNLESS OTHERWISE SPECIFIED:		NAME	DATE	 VPC 10478 Ridge Rd., Medina NY 14103 Toll Free: 888-290-9522 Phone: 585-735-9668
DIMENSIONS ARE IN INCHES TOLERANCES: FRACTIONAL ± ANGULAR: MACH ± BEND ± TWO PLACE DECIMAL ± THREE PLACE DECIMAL ±		DRAWN	LVR 9/17/2020	
INTERPRET GEOMETRIC TOLERANCING PER:		CHECKED		TITLE: 10 IN PALMER BOWLUS FLUME
MATERIAL POLYESTER RESIN FINISH		ENG APPR.		Project: WITH OPTIONS
DO NOT SCALE DRAWING		MFG APPR.		SIZE B
PROPRIETARY AND CONFIDENTIAL THE INFORMATION CONTAINED IN THIS DRAWING IS THE SOLE PROPERTY OF Virtual Polymer Compounds, LLC. ANY REPRODUCTION IN PART OR AS A WHOLE WITHOUT THE WRITTEN PERMISSION OF Virtual Polymer Compounds, LLC IS PROHIBITED.		Q.A.		DWG. NO.
 3rd ANGLE PROJECTION		COMMENTS:		REV A
				SCALE: 1:8 Weight 30.98 SHEET 5 OF 5

8 7 6 5 4 3 2 1