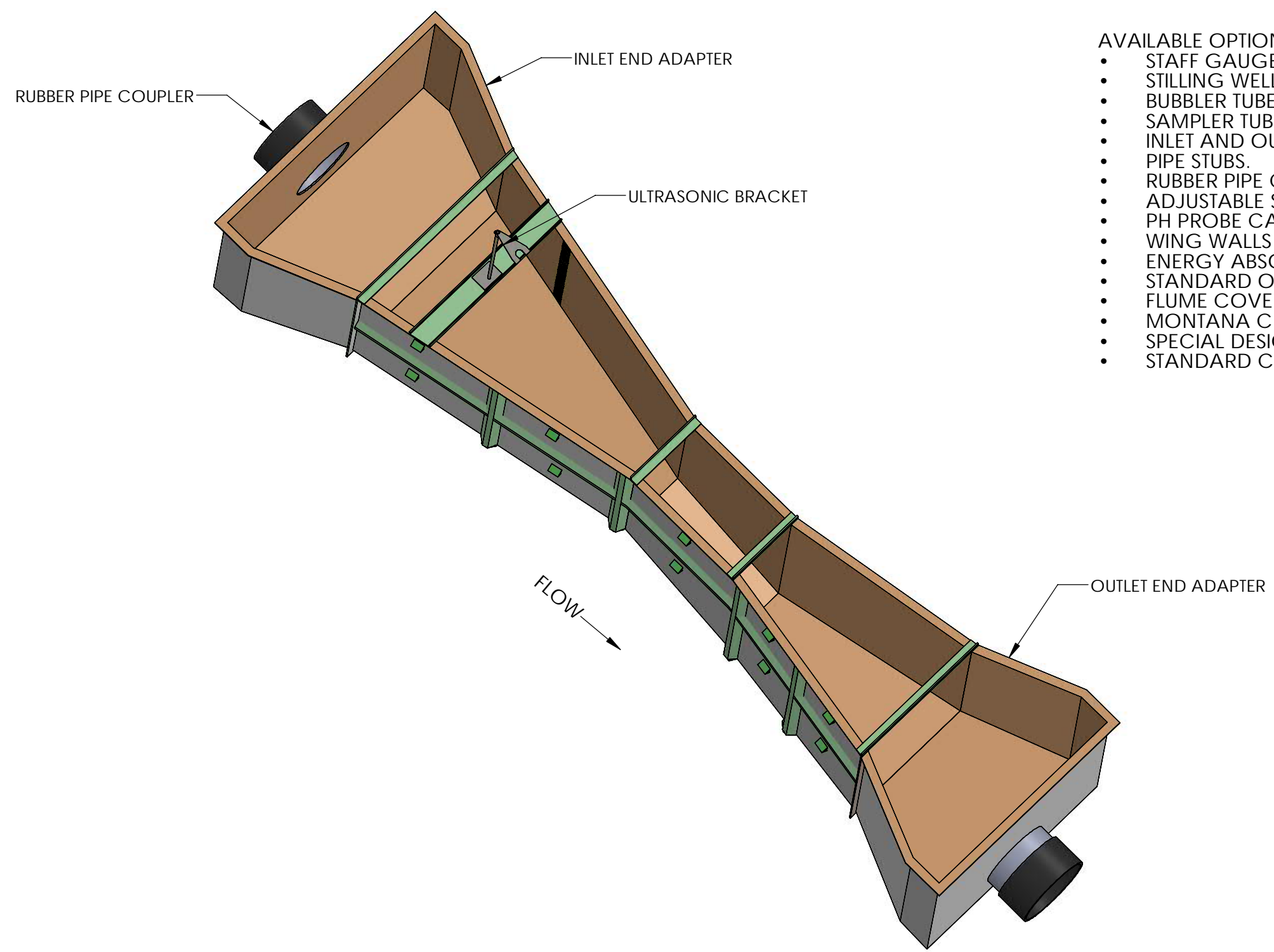


8 7 6 5 4 3 2 1


D
C
B
A

D
C
B
A



AVAILABLE OPTIONS:

- STAFF GAUGE (ENGLISH OR METRIC).
- STILLING WELL (INTEGRAL OR REMOTE).
- BUBBLER TUBE (SS 1/4" ID, INTEGRAL OR REMOVABLE).
- SAMPLER TUBE (SS 3/8" ID, INTEGRAL OR REMOVABLE).
- INLET AND OUTLET END ADAPTERS.
- PIPE STUBS.
- RUBBER PIPE COUPLERS W/ SS CLAMP BANDS.
- ADJUSTABLE SS ULTRASONIC BRACKET.
- PH PROBE CAVITY.
- WING WALLS AND BULK HEADS.
- ENERGY ABSORBING RACKS. (FIXED OR REMOVABLE).
- STANDARD OR SPECIAL DEPTHS (INCLUDING SURGE BOXES).
- FLUME COVERS (GRATING, FIBER SHEETING, CLEAR POLYCARBONATE).
- MONTANA CUT DESIGN.
- SPECIAL DESIGN (TO MEET SPECIAL PROJECT NEEDS).
- STANDARD COLOR IS BEIGE (CUSTOM COLORS AVAILABLE).

UNLESS OTHERWISE SPECIFIED:		NAME	DATE	 VPC FIBERGLASS 10478 Ridge Rd., Medina NY 14103 Toll Free: 888-290-9522 Phone: 585-735-9668	
DIMENSIONS ARE IN INCHES		DRAWN	LVR		8/6/2020
TOLERANCES:		CHECKED			
FRACTIONAL ±		ENG APPR.			
ANGULAR: MACH ± BEND ±		MFG APPR.			
TWO PLACE DECIMAL ±		Q.A.			
THREE PLACE DECIMAL ±				TITLE: 12 INCH PARSHALL FLUME	
INTERPRET GEOMETRIC TOLERANCING PER:				Project: WITH OPTIONS	
MATERIAL POLYESTER RESIN				SIZE DWG. NO. REV	
FINISH				B A	
DO NOT SCALE DRAWING		3rd ANGLE PROJECTION		SCALE: 1:20 Weight 280.31 SHEET 1 OF 5	

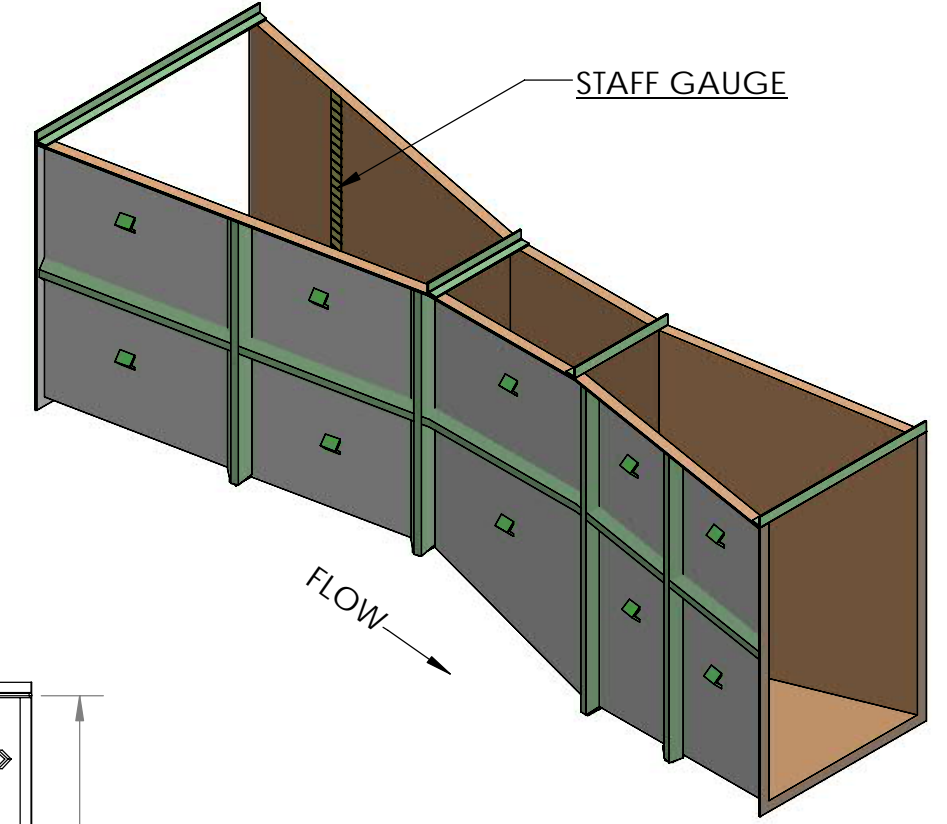
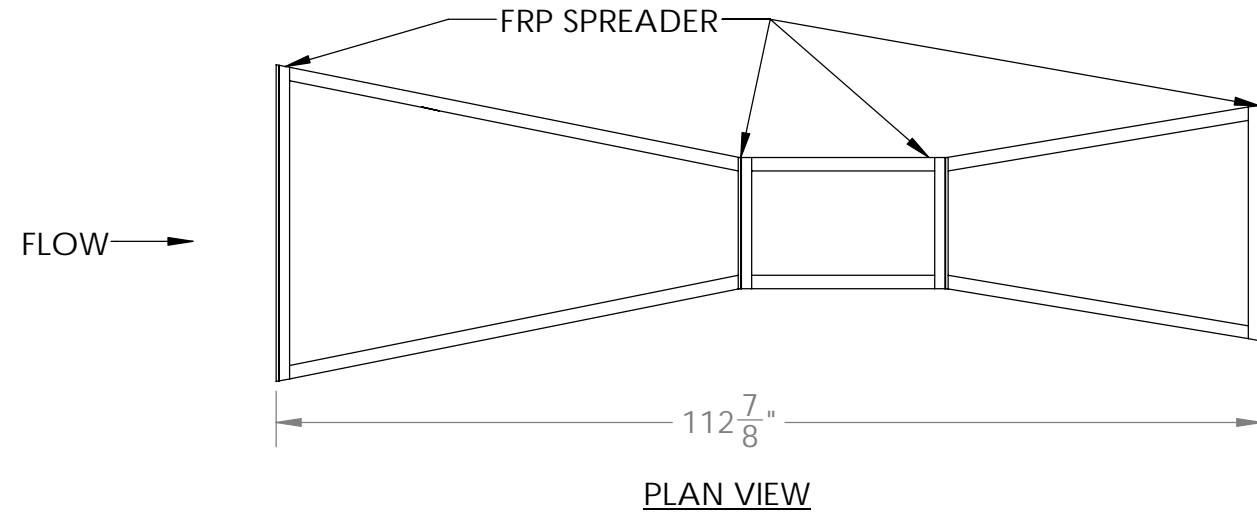
PROPRIETARY AND CONFIDENTIAL
 THE INFORMATION CONTAINED IN THIS DRAWING IS THE SOLE PROPERTY OF VIRTUAL POLYMER COMPOUNDS, LLC. ANY REPRODUCTION IN PART OR AS A WHOLE WITHOUT THE WRITTEN PERMISSION OF VIRTUAL POLYMER COMPOUNDS, LLC IS PROHIBITED.

8 7 6 5 4 3 2 1

8 7 6 5 4 3 2 1

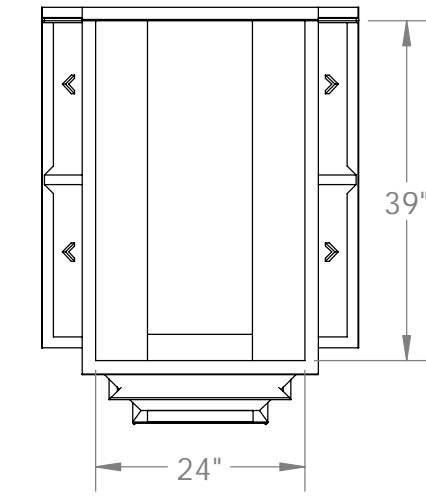
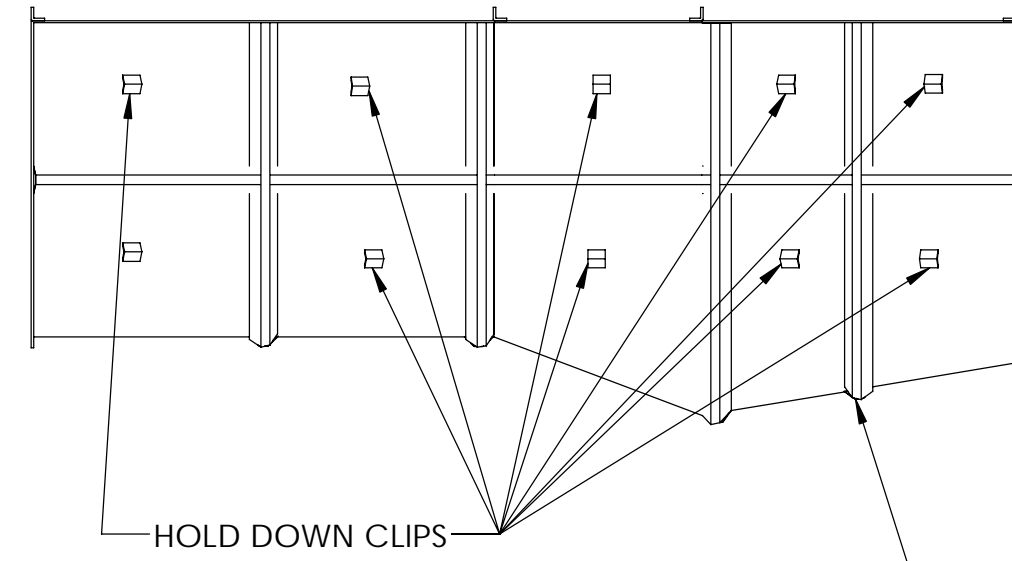
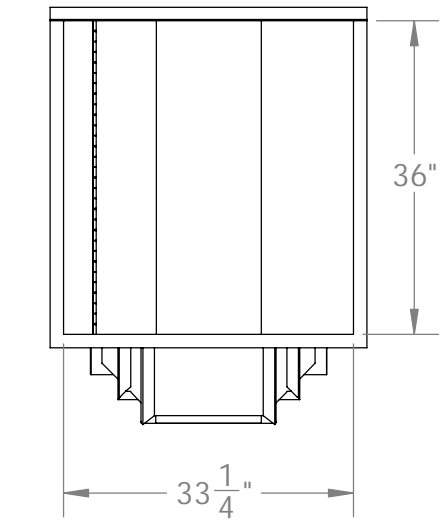
D

D



C

C



- NOTES:
- 1) INTERIOR GEL COAT COLOR TO BE BEIGE.
 - 2) EXTERIOR GEL COAT COLOR TO BE WHITE.
 - 3) NOMINAL MATERIAL THICKNESS = 1/4".

B

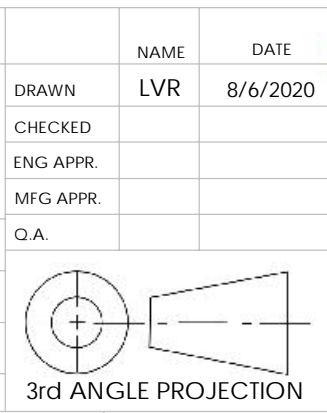
B

A

A

PROPRIETARY AND CONFIDENTIAL
THE INFORMATION CONTAINED IN THIS DRAWING IS THE SOLE PROPERTY OF VIRTUAL POLYMER COMPOUNDS, LLC. ANY REPRODUCTION IN PART OR AS A WHOLE WITHOUT THE WRITTEN PERMISSION OF VIRTUAL POLYMER COMPOUNDS, LLC IS PROHIBITED.

UNLESS OTHERWISE SPECIFIED:	NAME	DATE
DIMENSIONS ARE IN INCHES	DRAWN	LVR
TOLERANCES:	CHECKED	8/6/2020
FRACTIONAL ±	ENG APPR.	
ANGULAR: MACH ± BEND ±	MFG APPR.	
TWO PLACE DECIMAL ±	Q.A.	
THREE PLACE DECIMAL ±		
INTERPRET GEOMETRIC TOLERANCING PER:		
MATERIAL FINISH		
POLYESTER RESIN		
DO NOT SCALE DRAWING		

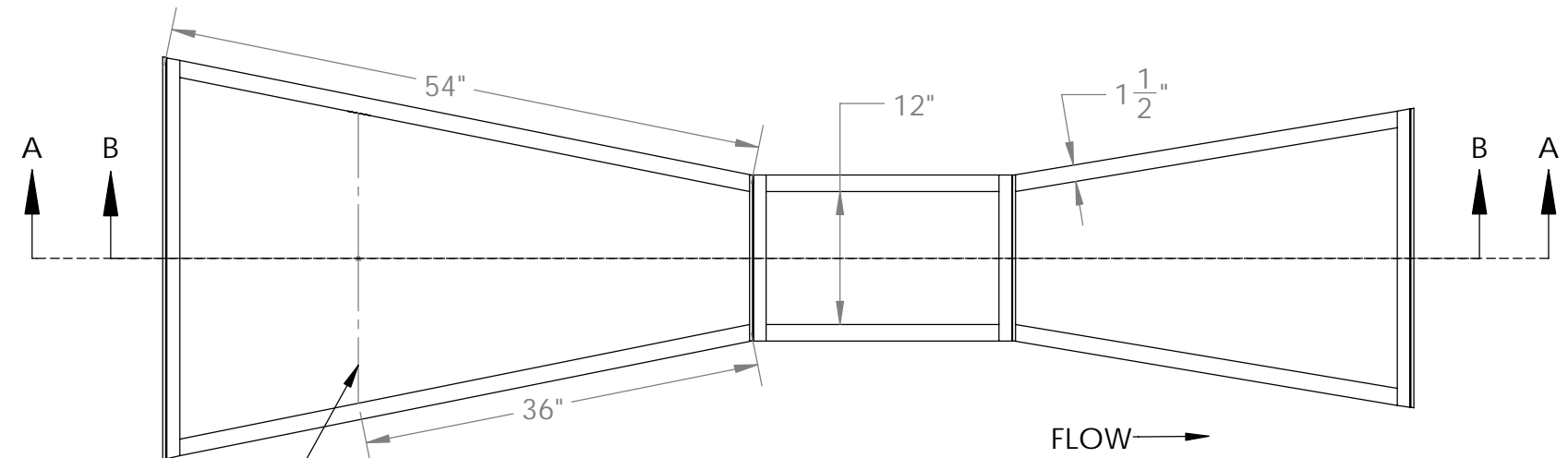


		10478 Ridge Rd., Medina NY 14103 Toll Free: 888-290-9522 Phone: 585-735-9668	
TITLE:		12 INCH PARSHALL FLUME	
Project:		WITHOUT OPTIONS	
SIZE	DWG. NO.	REV	
B		A	
SCALE: 1:22		Weight 137.78	SHEET 2 OF 5

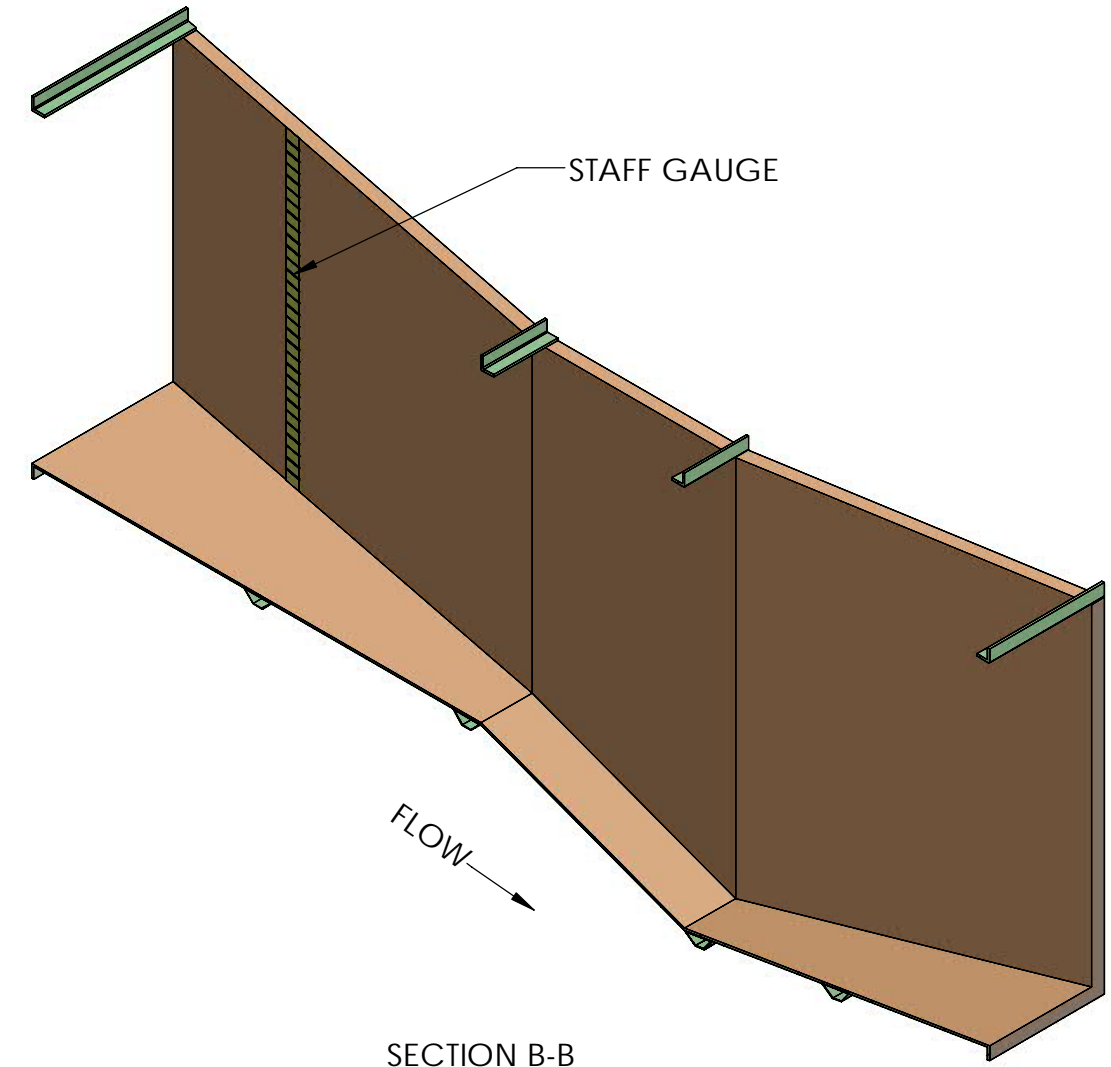
8 7 6 5 4 3 2 1

8 7 6 5 4 3 2 1

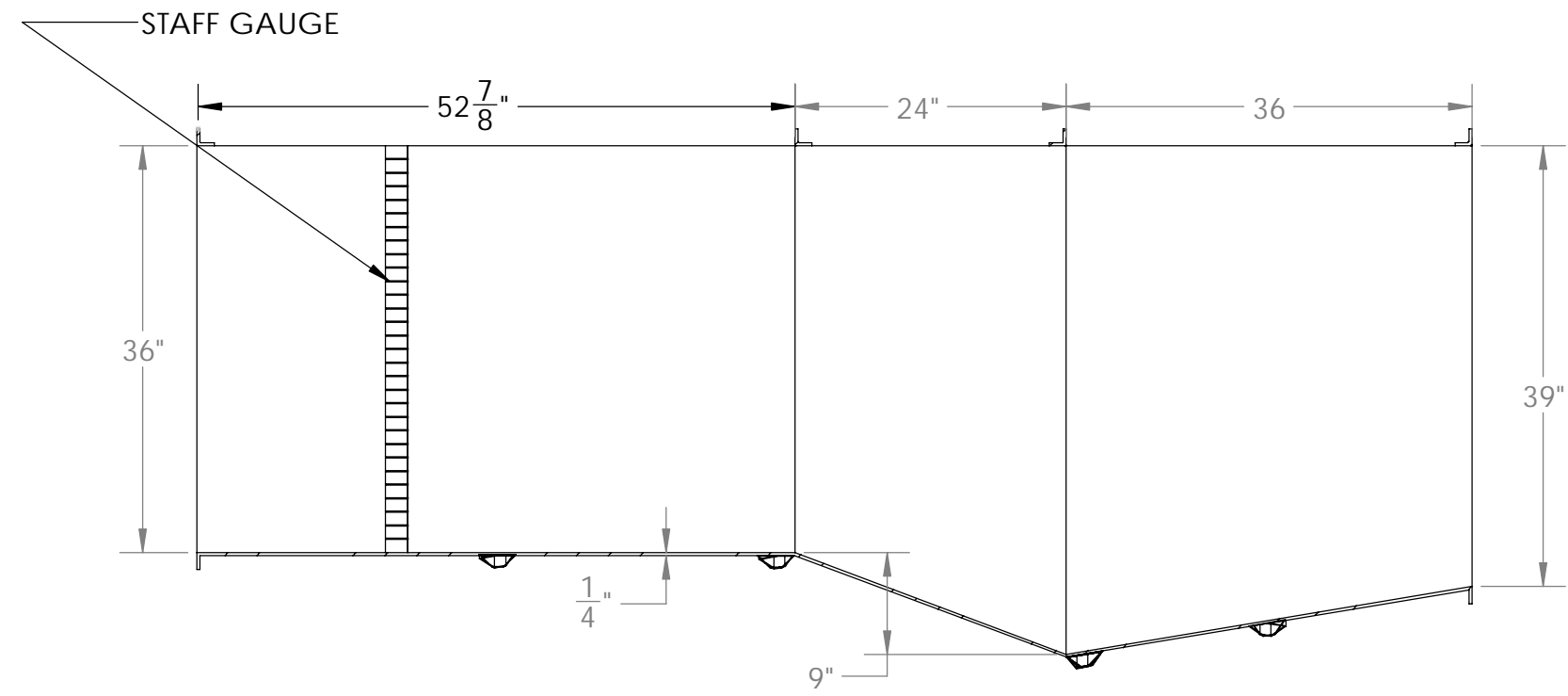
D
C
B
A



PLAN VIEW
(SPREADERS REMOVED FOR CLARITY)



SECTION B-B



SECTION A-A

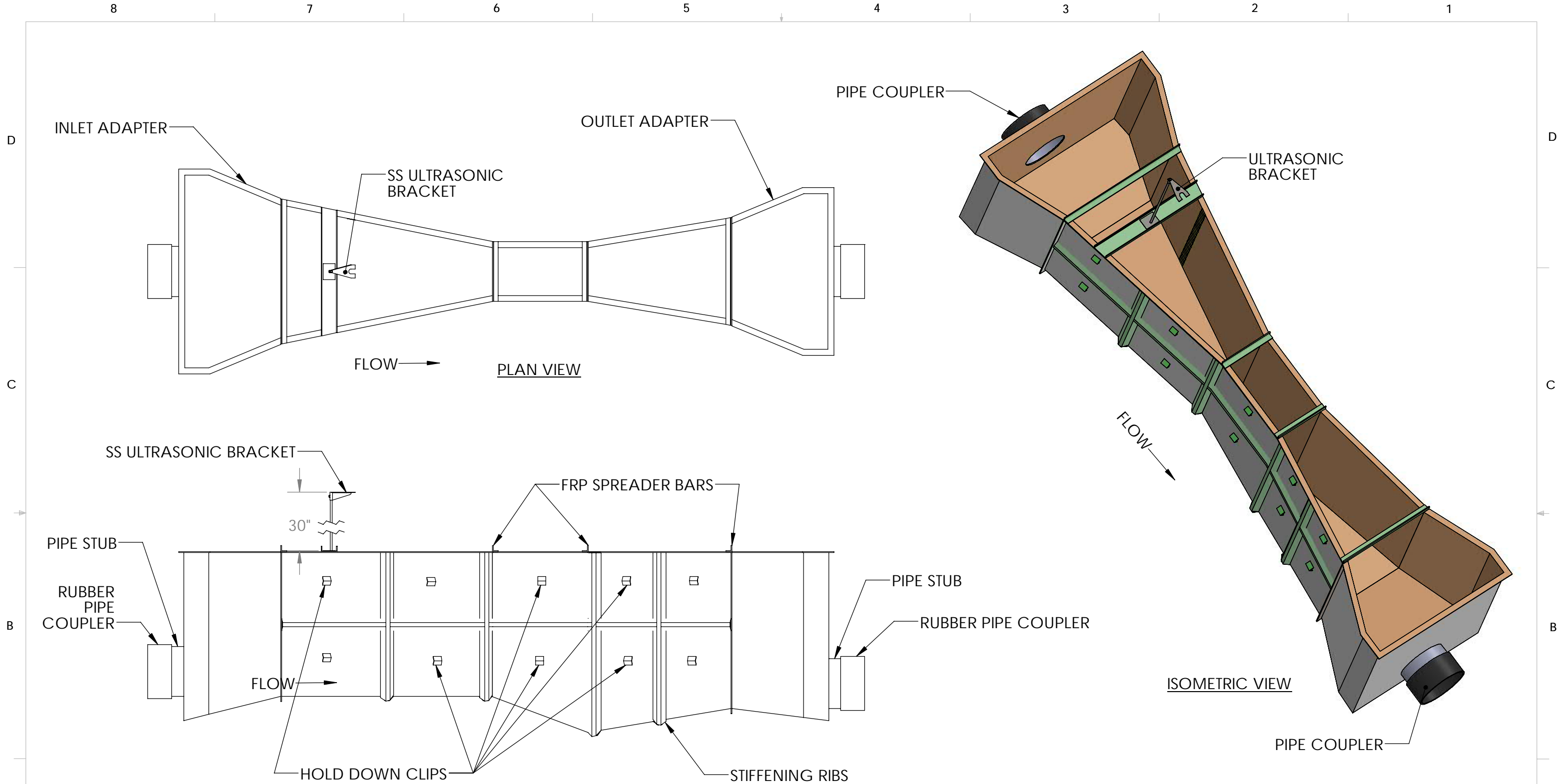
PROPRIETARY AND CONFIDENTIAL
THE INFORMATION CONTAINED IN THIS DRAWING IS THE SOLE PROPERTY OF Virtual Polymer Compounds, LLC. ANY REPRODUCTION IN PART OR AS A WHOLE WITHOUT THE WRITTEN PERMISSION OF Virtual Polymer Compounds, LLC IS PROHIBITED.


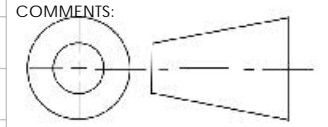
UNLESS OTHERWISE SPECIFIED:	NAME	DATE
DIMENSIONS ARE IN INCHES	DRAWN	LVR 8/6/2020
TOLERANCES:	CHECKED	
FRACTIONAL ±	ENG APPR.	
ANGULAR: MACH ± BEND ±	MFG APPR.	
TWO PLACE DECIMAL ±	Q.A.	
THREE PLACE DECIMAL ±	COMMENTS:	
INTERPRET GEOMETRIC TOLERANCING PER:		
MATERIAL: POLYESTER RESIN FINISH	3rd ANGLE PROJECTION	
DO NOT SCALE DRAWING		

VPC 10478 Ridge Rd., Medina NY 14103
FIBERGLASS Toll Free: 888-290-9522 Phone: 585-735-9668

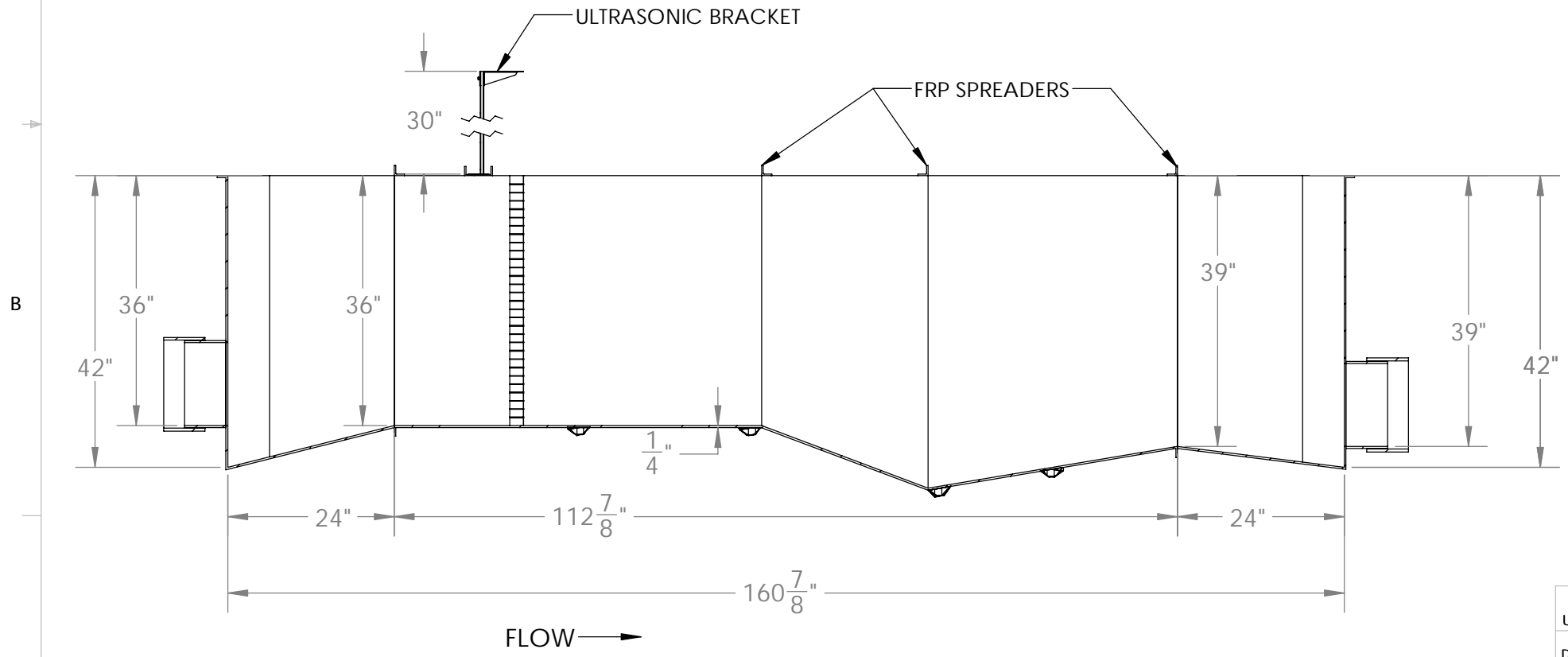
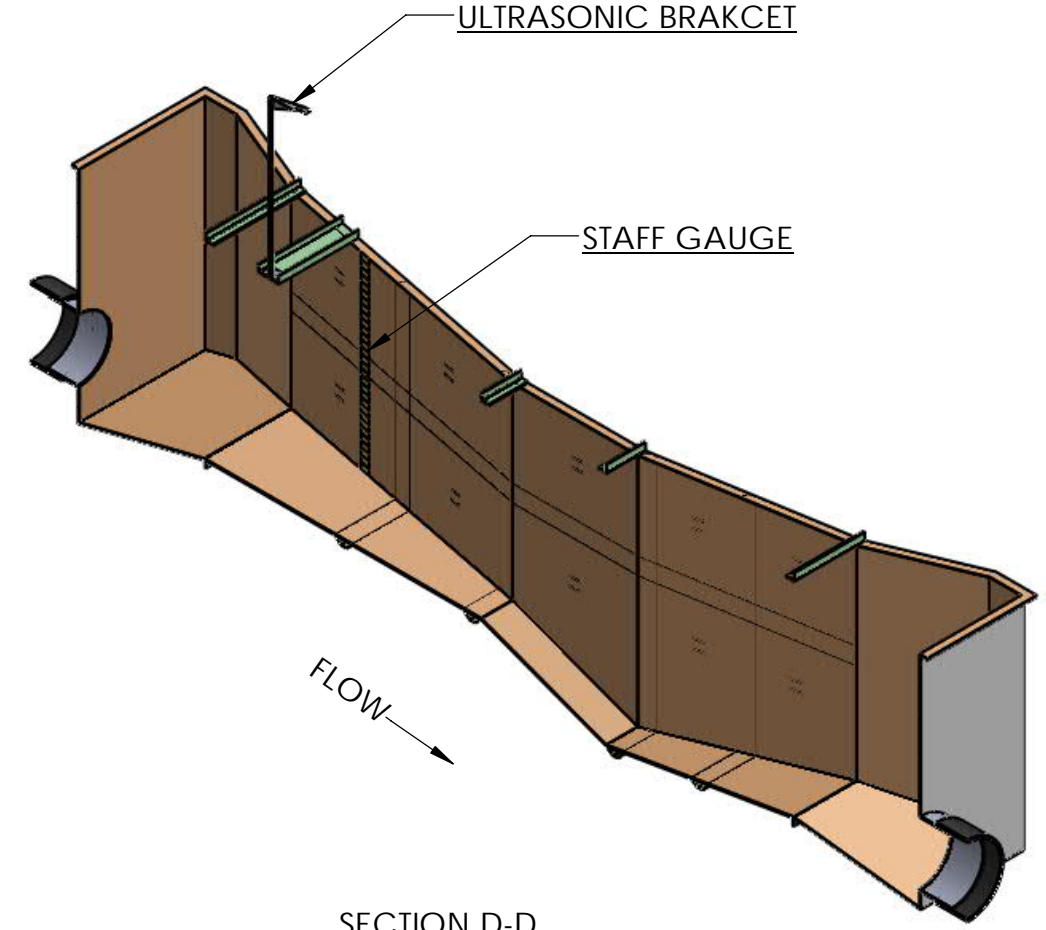
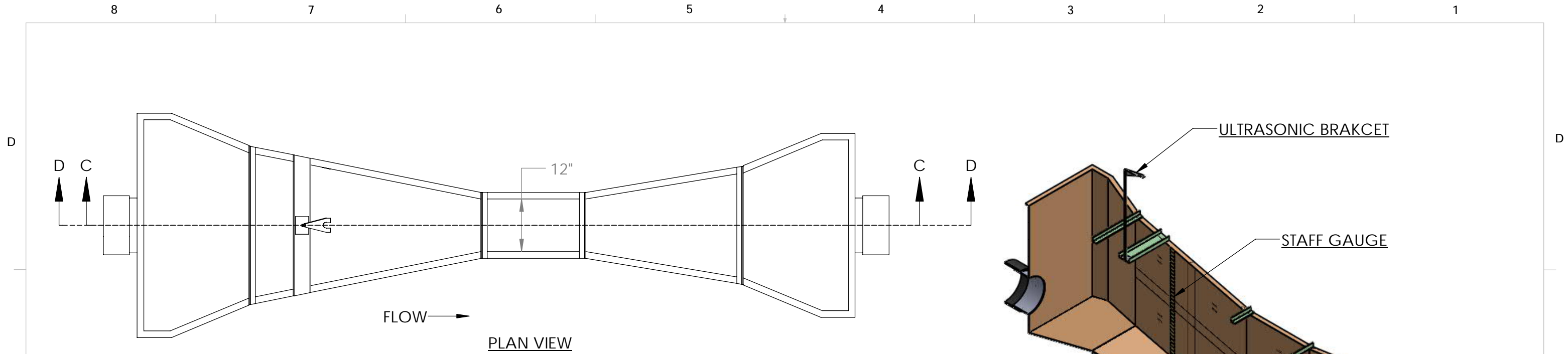
TITLE: 12 INCH PARSHALL FLUME		
Project: WITHOUT OPTIONS		
SIZE B	DWG. NO.	REV A
SCALE: 1:16	Weight 137.78	SHEET 3 OF 5

8 7 6 5 4 3 2 1




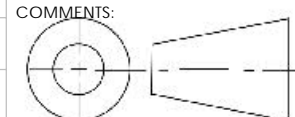
UNLESS OTHERWISE SPECIFIED:		NAME	DATE	 VPC 10478 Ridge Rd., Medina NY 14103 Toll Free: 888-290-9522 Phone: 585-735-9668	
DIMENSIONS ARE IN INCHES		DRAWN	LVR		8/6/2020
TOLERANCES:		CHECKED			
FRACTIONAL ±		ENG APPR.			
ANGULAR: MACH ±		MFG APPR.			
BEND ±		Q.A.			
TWO PLACE DECIMAL ±		COMMENTS:	 3rd ANGLE PROJECTION		
THREE PLACE DECIMAL ±					
INTERPRET GEOMETRIC TOLERANCING PER:					
MATERIAL		TITLE: 12 INCH PARSHALL FLUME			
POLYESTER RESIN		Project: WITH OPTIONS			
FINISH		SIZE	DWG. NO.	REV	
DO NOT SCALE DRAWING		B		A	
		SCALE: 1:24 Weight 280.31		SHEET 4 OF 5	

PROPRIETARY AND CONFIDENTIAL
 THE INFORMATION CONTAINED IN THIS DRAWING IS THE SOLE PROPERTY OF Virtual Polymer Compounds, LLC. ANY REPRODUCTION IN PART OR AS A WHOLE WITHOUT THE WRITTEN PERMISSION OF Virtual Polymer Compounds, LLC IS PROHIBITED.



SECTION C-C

PROPRIETARY AND CONFIDENTIAL
 THE INFORMATION CONTAINED IN THIS DRAWING IS THE SOLE PROPERTY OF Virtual Polymer Compounds, LLC. ANY REPRODUCTION IN PART OR AS A WHOLE WITHOUT THE WRITTEN PERMISSION OF Virtual Polymer Compounds, LLC IS PROHIBITED.

UNLESS OTHERWISE SPECIFIED:		NAME	DATE	 VPC 10478 Ridge Rd., Medina NY 14103 Toll Free: 888-290-9522 Phone: 585-735-9668
DIMENSIONS ARE IN INCHES TOLERANCES: FRACTIONAL ± ANGULAR: MACH ± BEND ± TWO PLACE DECIMAL ± THREE PLACE DECIMAL ±		DRAWN	LVR	
INTERPRET GEOMETRIC TOLERANCING PER:		CHECKED		
MATERIAL POLYESTER RESIN FINISH		ENG APPR.		
DO NOT SCALE DRAWING		MFG APPR.		
3rd ANGLE PROJECTION		Q.A.		
		COMMENTS:	TITLE: 12 INCH PARSHALL FLUME Project: WITH OPTIONS	
				SIZE B
		DWG. NO.		REV A
		SCALE: 1:22 Weight 280.31		SHEET 5 OF 5