
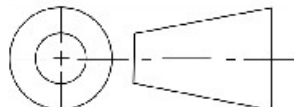


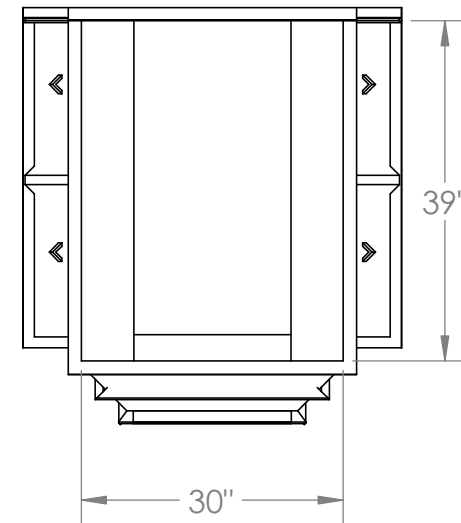
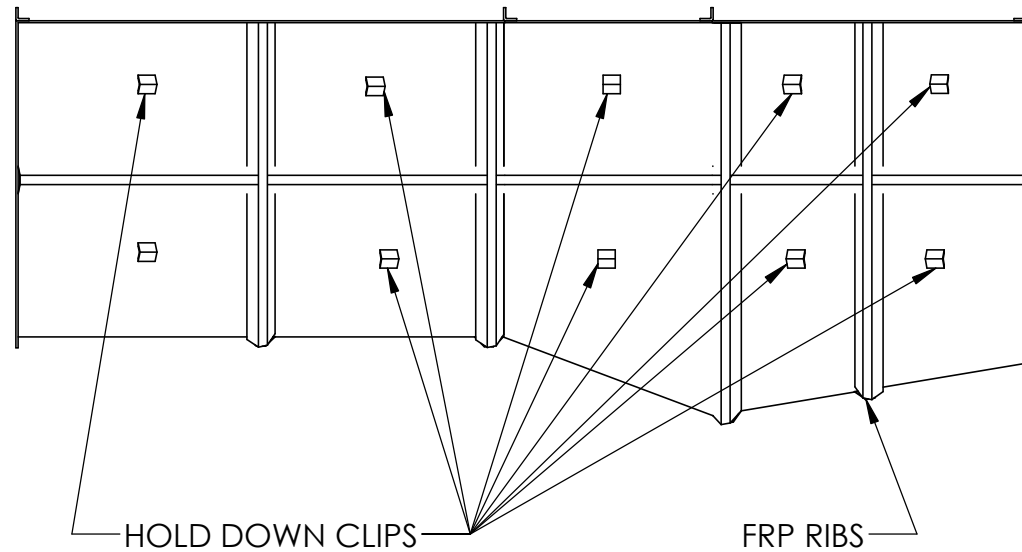
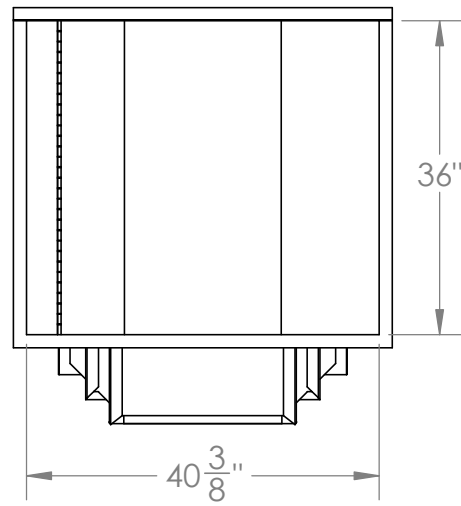
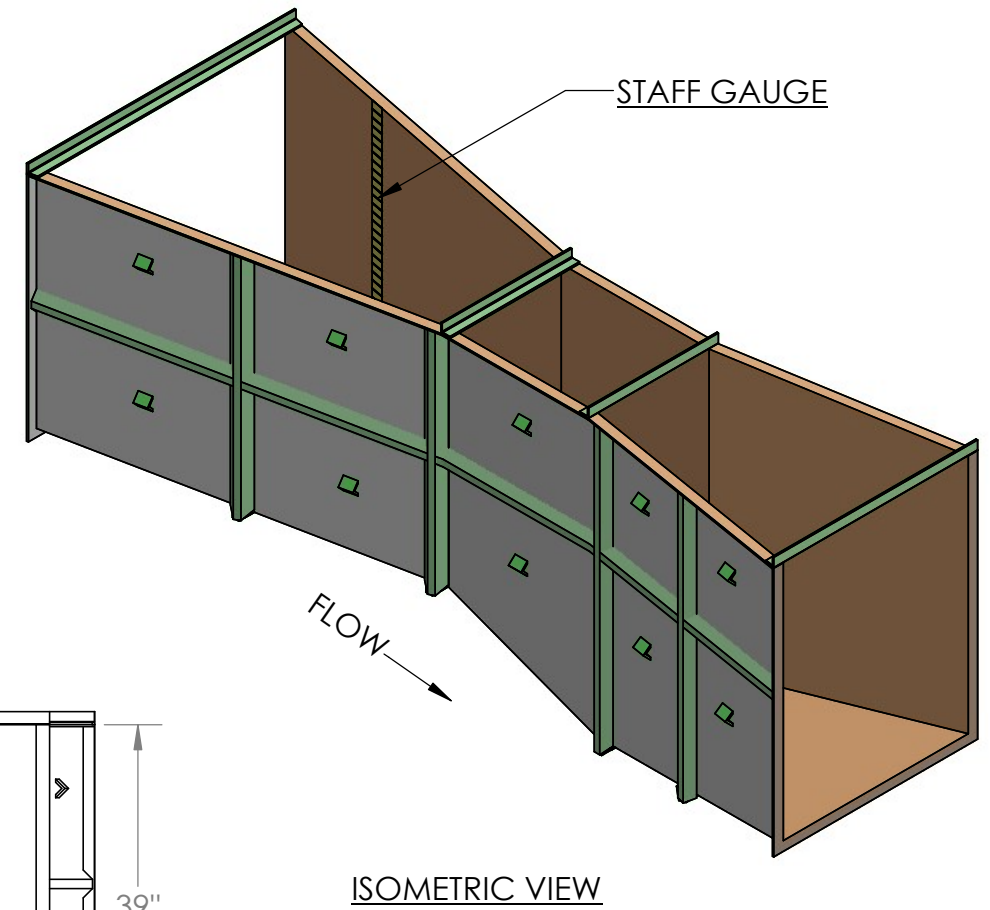
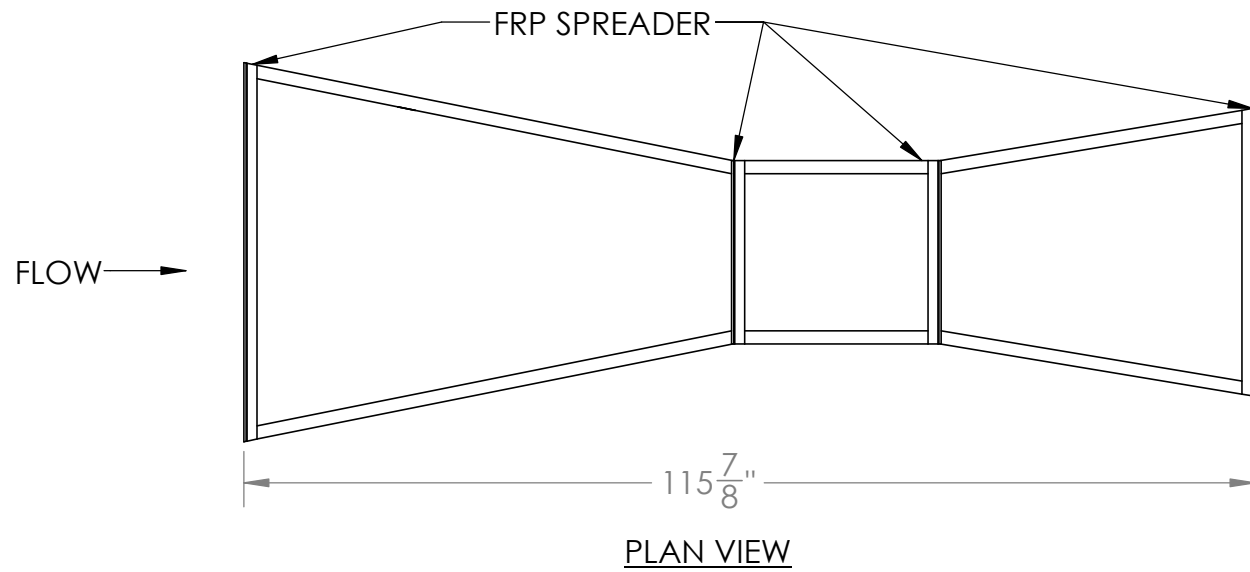
AVAILABLE OPTIONS:

- STAFF GAUGE (ENGLISH OR METRIC).
- STILLING WELL (INTEGRAL OR REMOTE).
- BUBBLER TUBE (SS 1/4" ID, INTEGRAL OR REMOVABLE).
- SAMPLER TUBE (SS 3/8" ID, INTEGRAL OR REMOVABLE).
- INLET AND OUTLET END ADAPTERS.
- PIPE STUBS.
- RUBBER PIPE COUPLERS W/ SS CLAMP BANDS.
- ADJUSTABLE SS ULTRASONIC BRACKET.
- PH PROBE CAVITY.
- WING WALLS AND BULK HEADS.
- ENERGY ABSORBING RACKS. (FIXED OR REMOVABLE).
- STANDARD OR SPECIAL DEPTHS (INCLUDING SURGE BOXES).
- FLUME COVERS (GRATING, FIBER SHEETING, CLEAR POLYCARBONATE).
- MONTANA CUT DESIGN.
- SPECIAL DESIGN (TO MEET SPECIAL PROJECT NEEDS).
- STANDARD COLOR IS BEIGE (CUSTOM COLORS AVAILABLE).

UNLESS OTHERWISE SPECIFIED:		NAME	DATE	 VPC FIBERGLASS 10478 Ridge Rd., Medina NY 14103 Toll Free: 888-290-9522 Phone: 585-735-9668	
DIMENSIONS ARE IN INCHES		DRAWN	LVR		8/6/2020
TOLERANCES:		CHECKED			
FRACTIONAL ±		ENG APPR.			
ANGULAR: MACH ± BEND ±		MFG APPR.			
TWO PLACE DECIMAL ±		Q.A.			
THREE PLACE DECIMAL ±				TITLE: 18 INCH PARSHALL FLUME	
INTERPRET GEOMETRIC TOLERANCING PER:				Project: WITH OPTIONS	
MATERIAL: POLYESTER RESIN				SIZE: B DWG. NO. REV: A	
FINISH:				SCALE: 1:20 Weight 304.65 SHEET 1 OF 5	
DO NOT SCALE DRAWING		 3rd ANGLE PROJECTION			


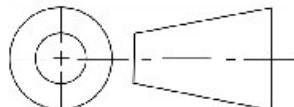
PROPRIETARY AND CONFIDENTIAL
 THE INFORMATION CONTAINED IN THIS DRAWING IS THE SOLE PROPERTY OF VIRTUAL POLYMER COMPOUNDS, LLC. ANY REPRODUCTION IN PART OR AS A WHOLE WITHOUT THE WRITTEN PERMISSION OF VIRTUAL POLYMER COMPOUNDS, LLC IS PROHIBITED.

8 7 6 5 4 3 2 1

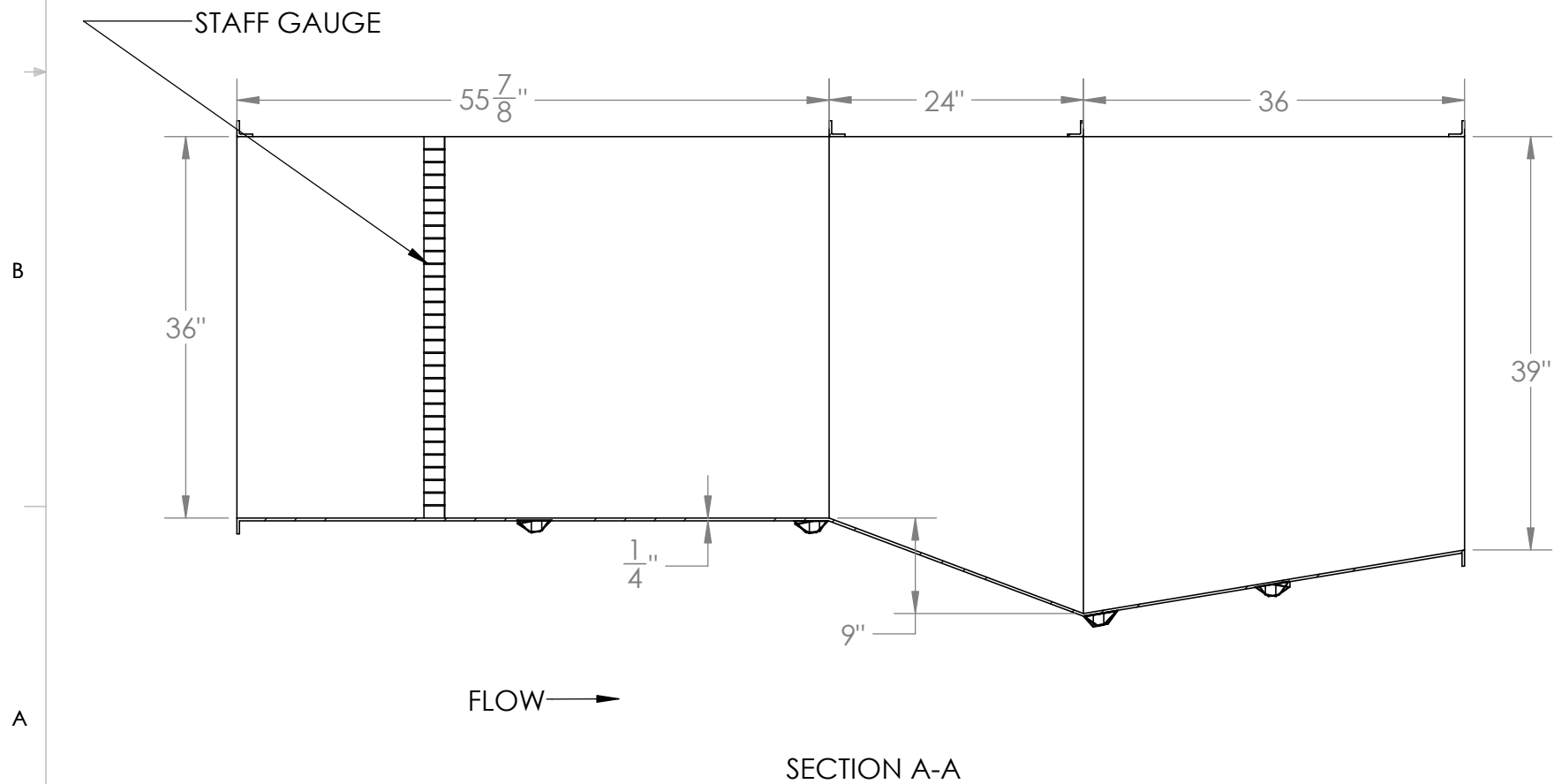
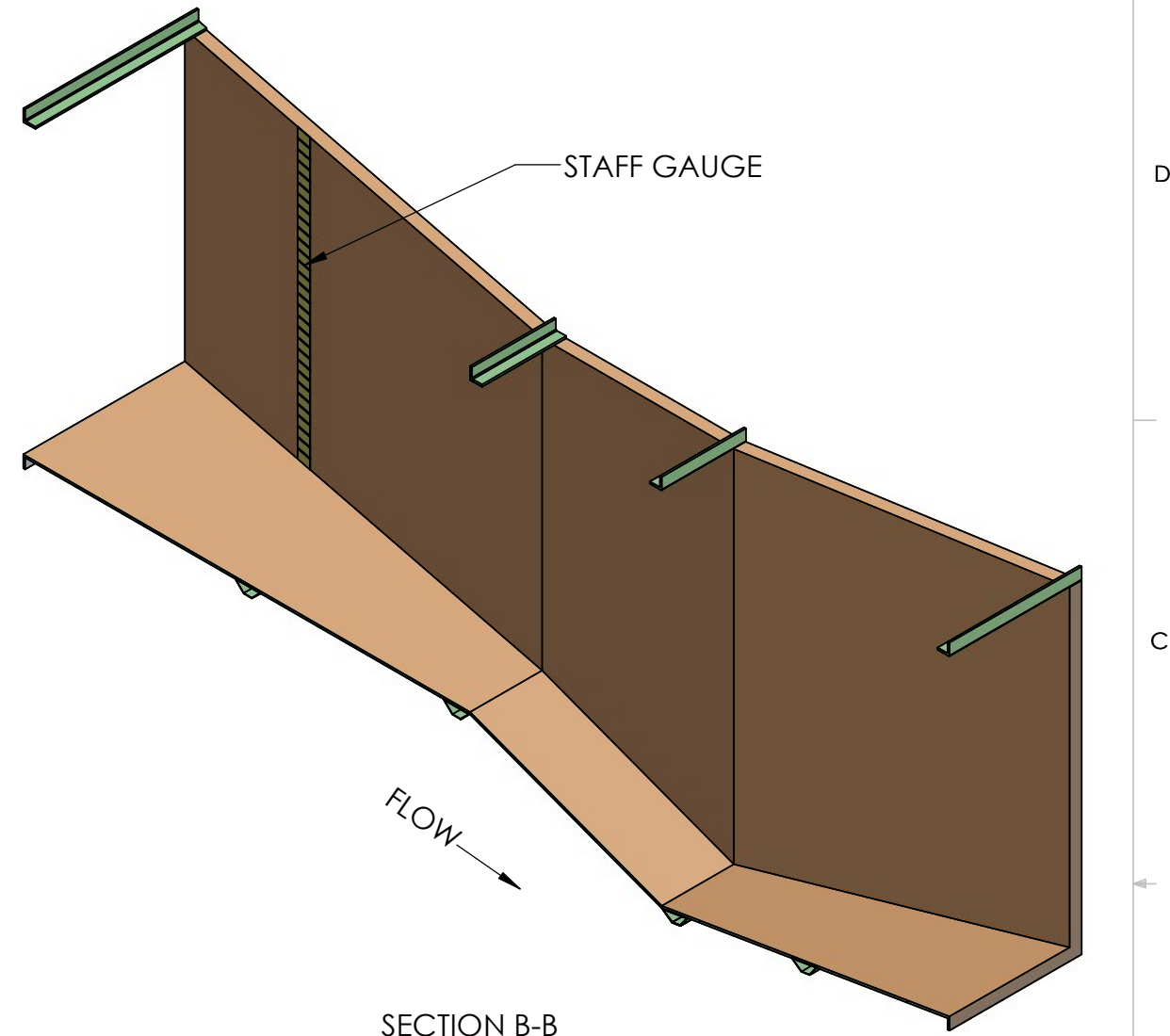
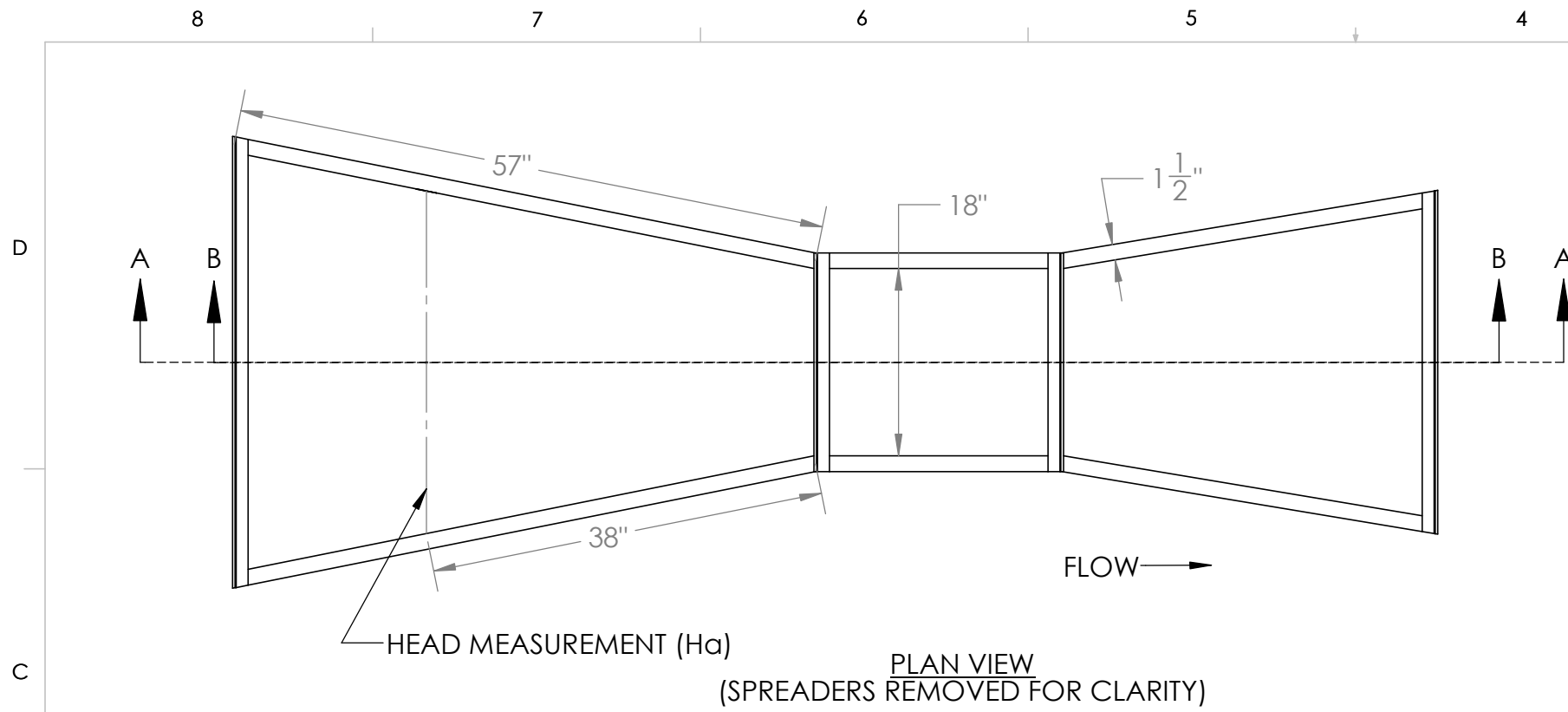


- NOTES:
- 1) INTERIOR GEL COAT COLOR TO BE BEIGE.
 - 2) EXTERIOR GEL COAT COLOR TO BE WHITE.
 - 3) NOMINAL MATERIAL THICKNESS = 1/4".

A

UNLESS OTHERWISE SPECIFIED:		NAME	DATE	 VPC FIBERGLASS 10478 Ridge Rd., Medina NY 14103 Toll Free: 888-290-9522 Phone: 585-735-9668
DIMENSIONS ARE IN INCHES TOLERANCES: FRACTIONAL ± ANGULAR: MACH ± BEND ± TWO PLACE DECIMAL ± THREE PLACE DECIMAL ±		DRAWN	LVR	
PROPRIETARY AND CONFIDENTIAL THE INFORMATION CONTAINED IN THIS DRAWING IS THE SOLE PROPERTY OF VIRTUAL POLYMER COMPOUNDS, LLC. ANY REPRODUCTION IN PART OR AS A WHOLE WITHOUT THE WRITTEN PERMISSION OF VIRTUAL POLYMER COMPOUNDS, LLC IS PROHIBITED.		CHECKED		TITLE:
		ENG APPR.		18 INCH PARSHALL FLUME
		MFG APPR.		Project:
INTERPRET GEOMETRIC TOLERANCING PER:		Q.A.		WITHOUT OPTIONS
MATERIAL FINISH		 3rd ANGLE PROJECTION		SIZE DWG. NO. REV B
DO NOT SCALE DRAWING				SCALE: 1:22 Weight 150.23 SHEET 2 OF 5

8 7 6 5 4 3 2 1



PROPRIETARY AND CONFIDENTIAL
 THE INFORMATION CONTAINED IN THIS DRAWING IS THE SOLE PROPERTY OF Virtual Polymer Compounds, LLC. ANY REPRODUCTION IN PART OR AS A WHOLE WITHOUT THE WRITTEN PERMISSION OF Virtual Polymer Compounds, LLC IS PROHIBITED.

UNLESS OTHERWISE SPECIFIED:
 DIMENSIONS ARE IN INCHES
 TOLERANCES:
 FRACTIONAL ±
 ANGULAR: MACH ± BEND ±
 TWO PLACE DECIMAL ±
 THREE PLACE DECIMAL ±

INTERPRET GEOMETRIC TOLERANCING PER:
 MATERIAL POLYESTER RESIN
 FINISH

DO NOT SCALE DRAWING

	NAME	DATE
DRAWN	LVR	8/6/2020
CHECKED		
ENG APPR.		
MFG APPR.		
Q.A.		
COMMENTS:		

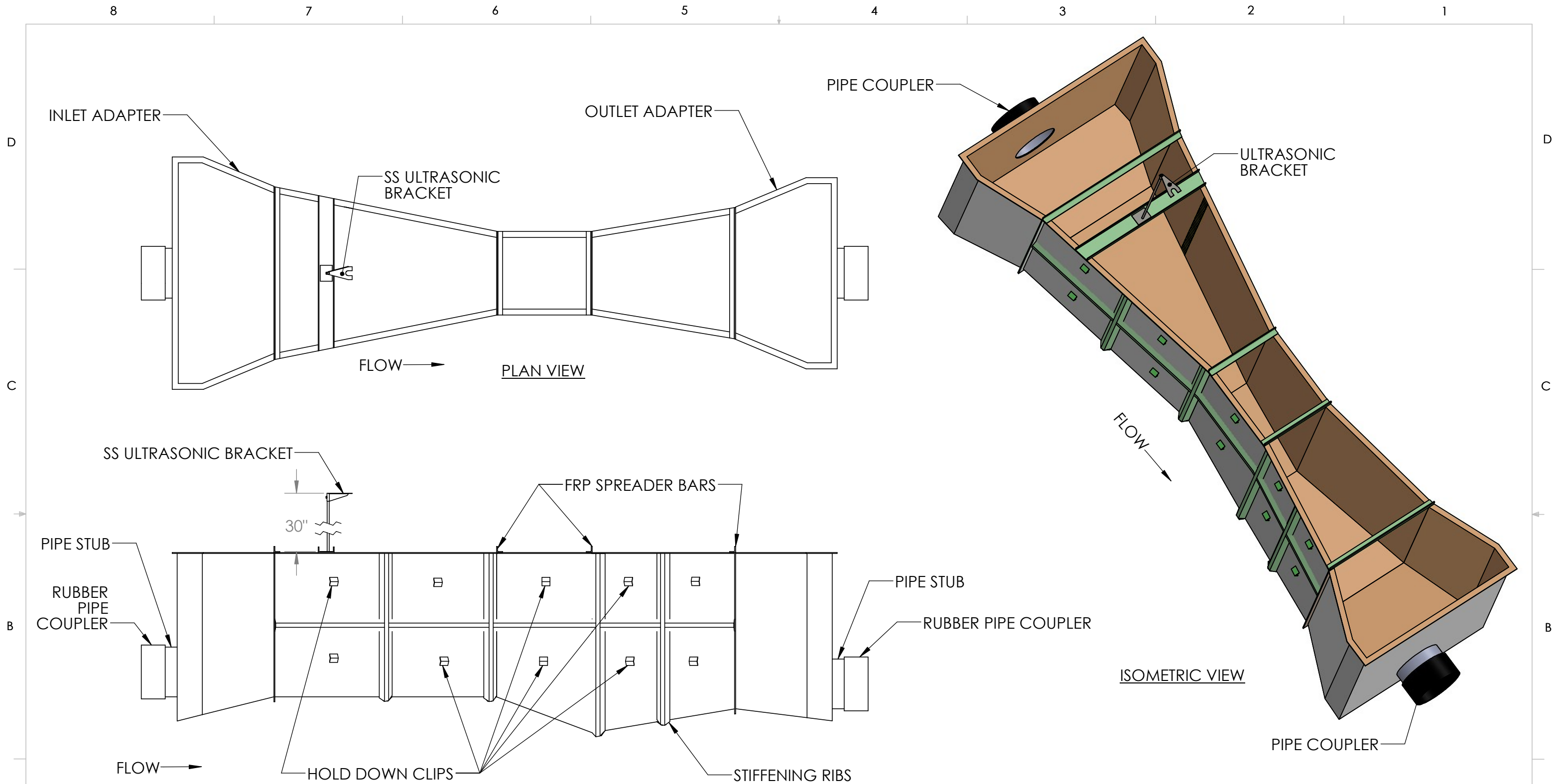
VPC FIBERGLASS 10478 Ridge Rd., Medina NY 14103
 Toll Free: 888-290-9522 Phone: 585-735-9668

TITLE: 18 INCH PARSHALL FLUME

Project: WITHOUT OPTIONS

SIZE B	DWG. NO.	REV A
-------------------------	----------	----------

SCALE: 1:16 Weight 150.23 SHEET 3 OF 5



PROPRIETARY AND CONFIDENTIAL
 THE INFORMATION CONTAINED IN THIS DRAWING IS THE SOLE PROPERTY OF Virtual Polymer Compounds, LLC. ANY REPRODUCTION IN PART OR AS A WHOLE WITHOUT THE WRITTEN PERMISSION OF Virtual Polymer Compounds, LLC IS PROHIBITED.

UNLESS OTHERWISE SPECIFIED:

DIMENSIONS ARE IN INCHES
 TOLERANCES:
 FRACTIONAL ±
 ANGULAR: MACH ± BEND ±
 TWO PLACE DECIMAL ±
 THREE PLACE DECIMAL ±

INTERPRET GEOMETRIC TOLERANCING PER:
 MATERIAL POLYESTER RESIN
 FINISH

DO NOT SCALE DRAWING

	NAME	DATE
DRAWN	LVR	8/6/2020
CHECKED		
ENG APPR.		
MFG APPR.		
Q.A.		
COMMENTS:		

3rd ANGLE PROJECTION

VPC 10478 Ridge Rd., Medina NY 14103
 Toll Free: 888-290-9522
 Phone: 585-735-9668

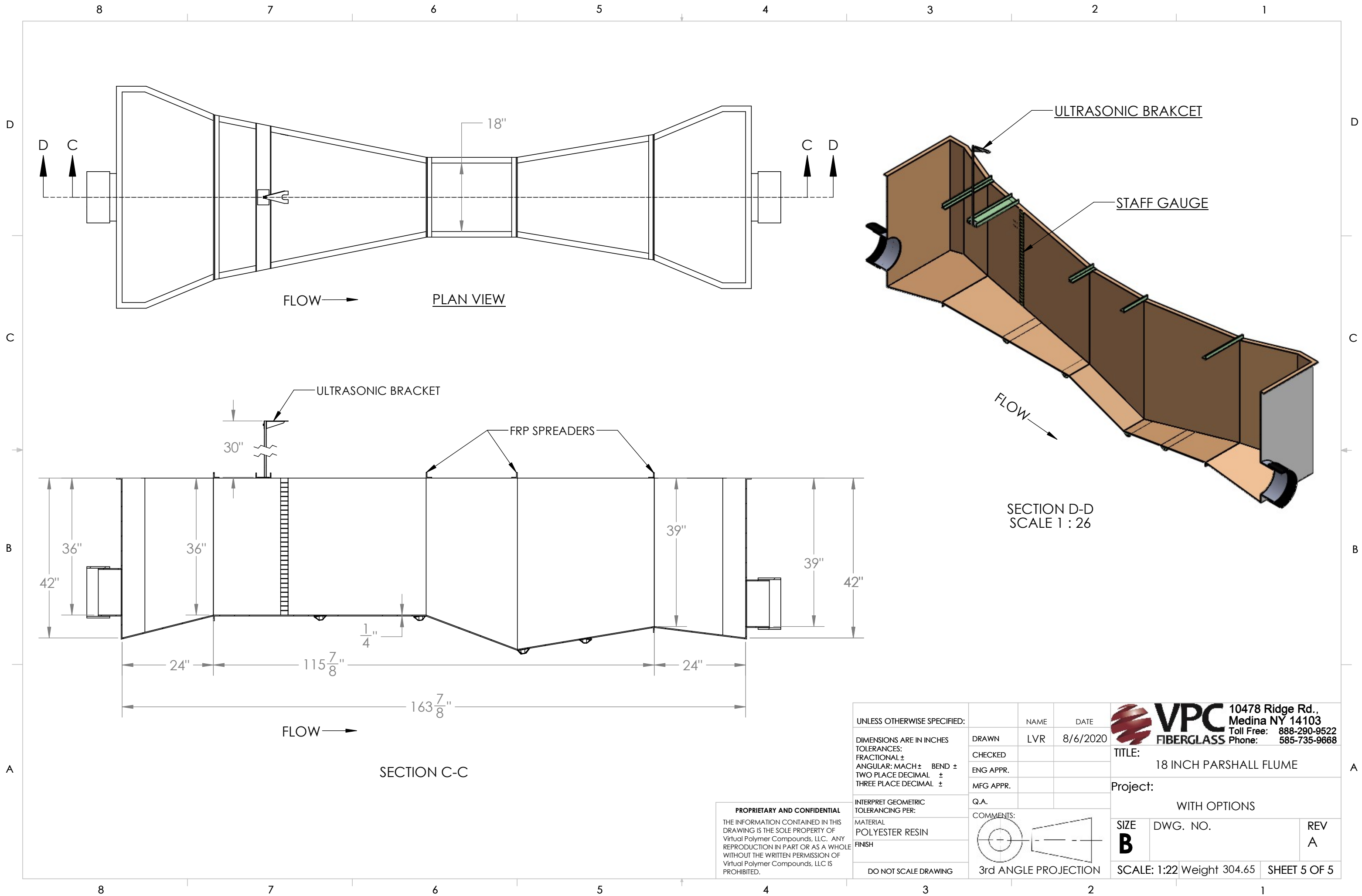
FIBERGLASS

TITLE: 18 INCH PARSHALL FLUME

Project: WITH OPTIONS

SIZE B	DWG. NO.	REV A
---------------	----------	-------

SCALE: 1:24 Weight 304.65 SHEET 4 OF 5



PROPRIETARY AND CONFIDENTIAL
 THE INFORMATION CONTAINED IN THIS DRAWING IS THE SOLE PROPERTY OF Virtual Polymer Compounds, LLC. ANY REPRODUCTION IN PART OR AS A WHOLE WITHOUT THE WRITTEN PERMISSION OF Virtual Polymer Compounds, LLC IS PROHIBITED.

UNLESS OTHERWISE SPECIFIED:	NAME	DATE
DIMENSIONS ARE IN INCHES	DRAWN	LVR 8/6/2020
TOLERANCES:	CHECKED	
FRACTIONAL ±	ENG APPR.	
ANGULAR: MACH ± BEND ±	MFG APPR.	
TWO PLACE DECIMAL ±	Q.A.	
THREE PLACE DECIMAL ±	COMMENTS:	
INTERPRET GEOMETRIC TOLERANCING PER:		
MATERIAL	3rd ANGLE PROJECTION	
POLYESTER RESIN		
FINISH		
DO NOT SCALE DRAWING		

VPC FIBERGLASS 10478 Ridge Rd., Medina NY 14103
 Toll Free: 888-290-9522 Phone: 585-735-9668

TITLE: 18 INCH PARSHALL FLUME

Project: WITH OPTIONS

SIZE B	DWG. NO.	REV A
-------------------------	----------	----------

SCALE: 1:22 Weight 304.65 SHEET 5 OF 5