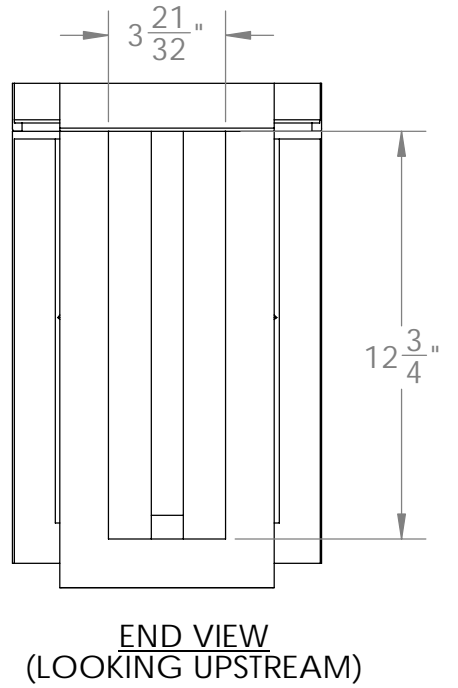
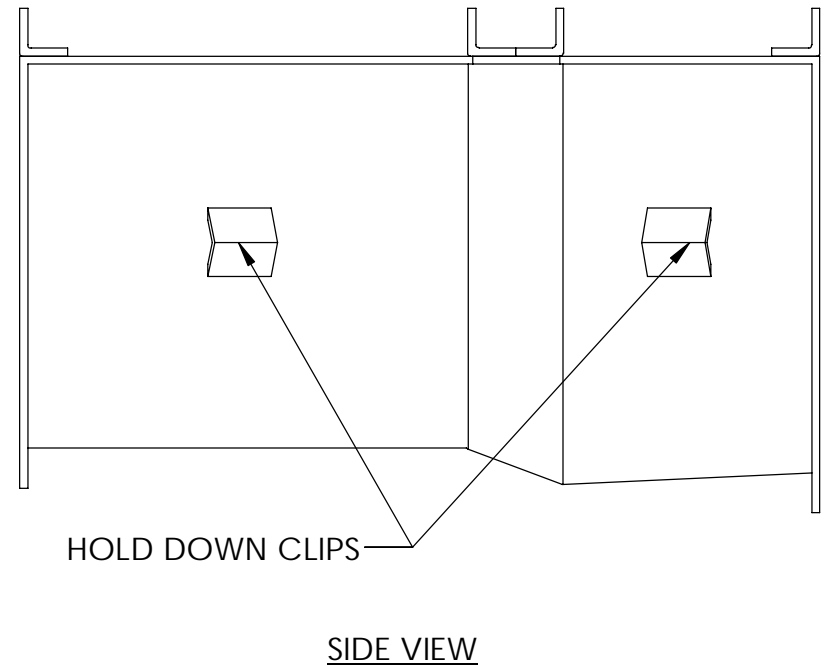
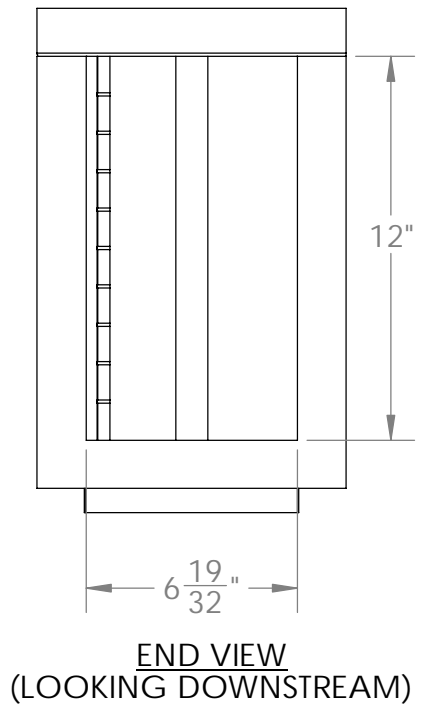
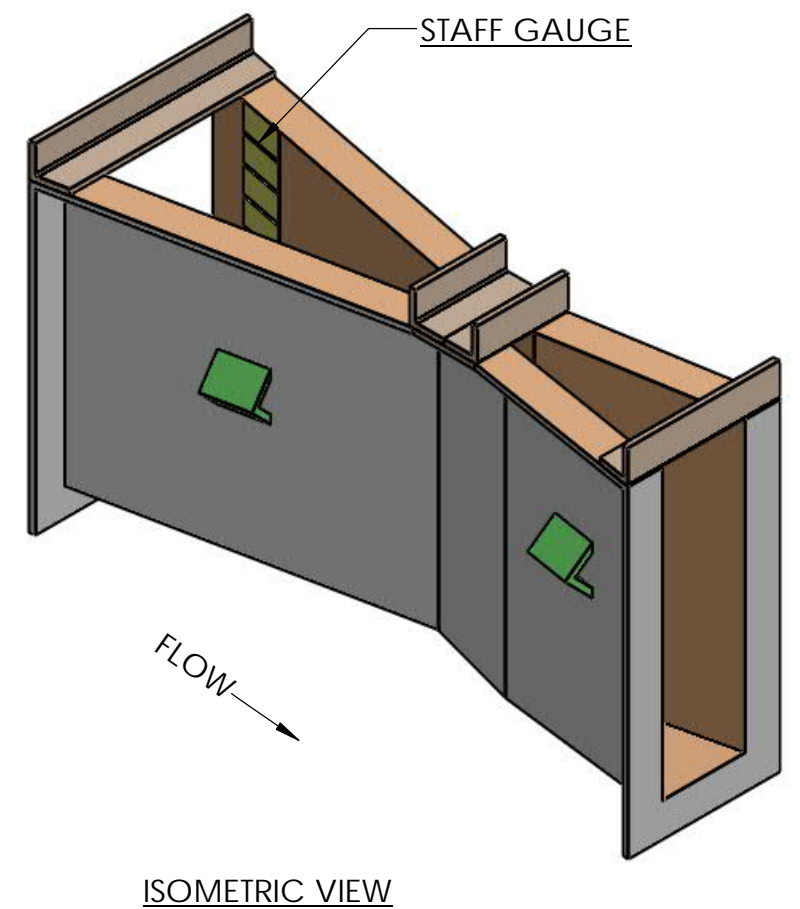
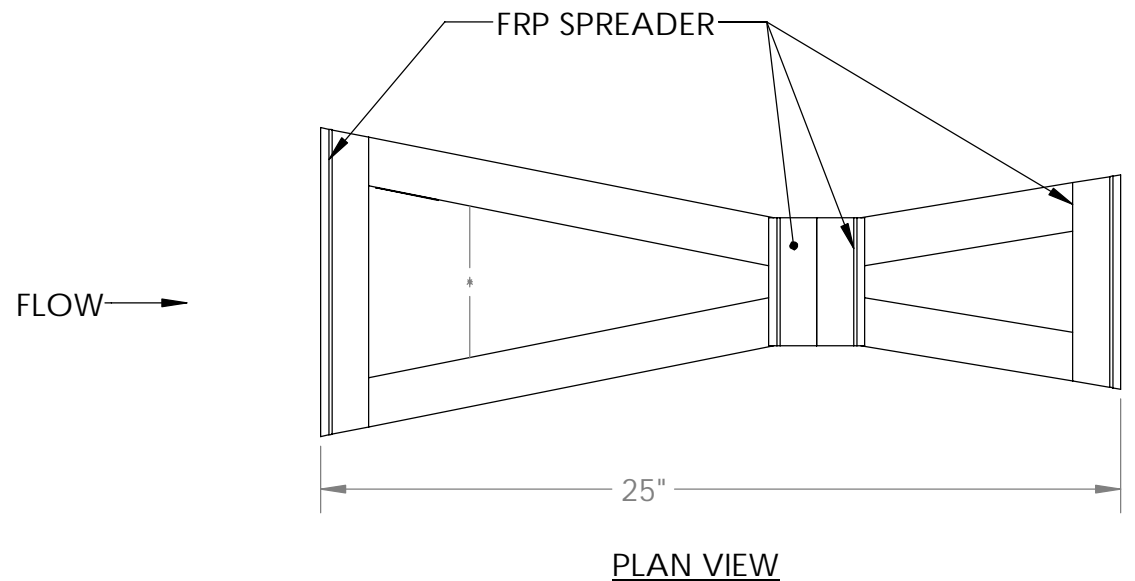


8 7 6 5 4 3 2 1

D  
C  
B  
A



- NOTES:
- 1) INTERIOR GEL COAT COLOR TO BE BEIGE.
  - 2) EXTERIOR GEL COAT COLOR TO BE WHITE.
  - 3) NOMINAL MATERIAL THICKNESS = 1/4".

PROPRIETARY AND CONFIDENTIAL  
THE INFORMATION CONTAINED IN THIS DRAWING IS THE SOLE PROPERTY OF VIRTUAL POLYMER COMPOUNDS, LLC. ANY REPRODUCTION IN PART OR AS A WHOLE WITHOUT THE WRITTEN PERMISSION OF VIRTUAL POLYMER COMPOUNDS, LLC IS PROHIBITED.

UNLESS OTHERWISE SPECIFIED:  
DIMENSIONS ARE IN INCHES  
TOLERANCES:  
FRACTIONAL ±  
ANGULAR: MACH ± BEND ±  
TWO PLACE DECIMAL ±  
THREE PLACE DECIMAL ±

INTERPRET GEOMETRIC TOLERANCING PER:  
MATERIAL POLYESTER RESIN  
FINISH

DO NOT SCALE DRAWING

	NAME	DATE
DRAWN	LVR	8/6/2020
CHECKED		
ENG APPR.		
MFG APPR.		
Q.A.		

**VPC FIBERGLASS** 10478 Ridge Rd., Medina NY 14103  
Toll Free: 888-290-9522 Phone: 585-735-9668

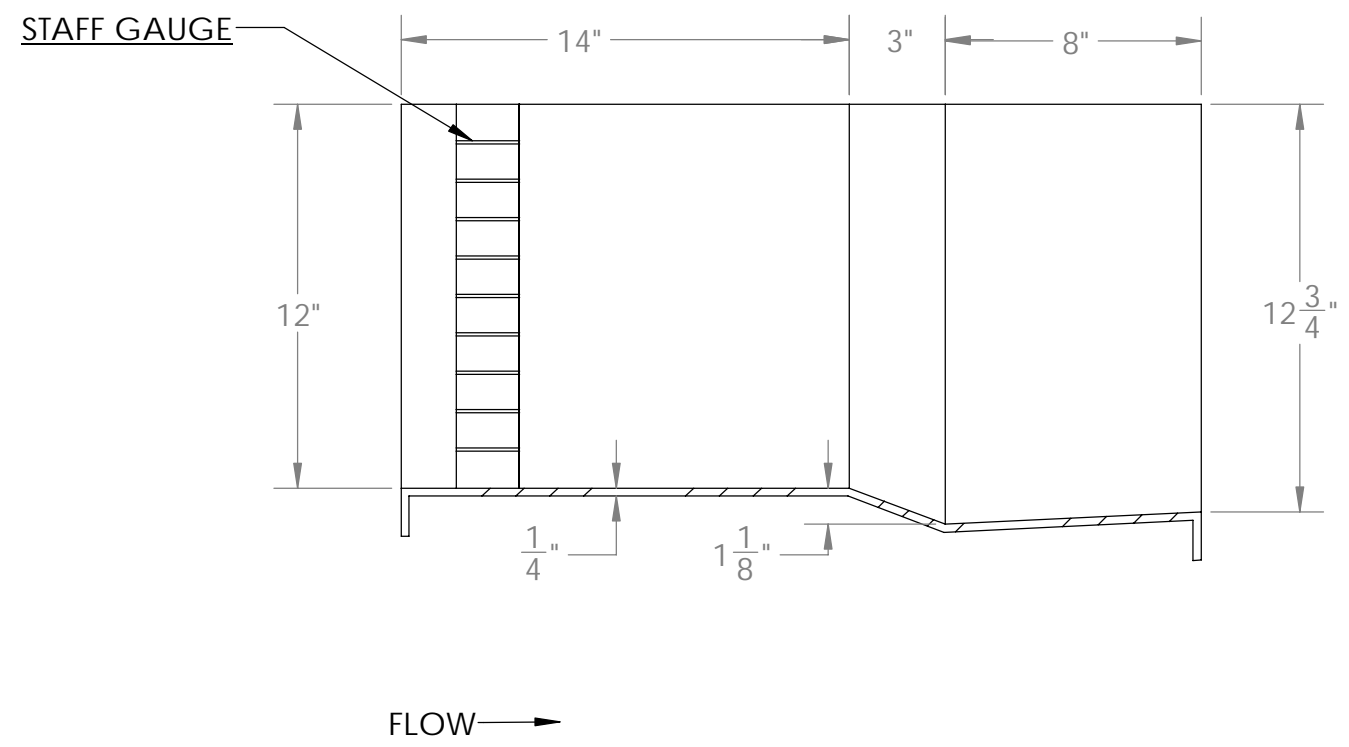
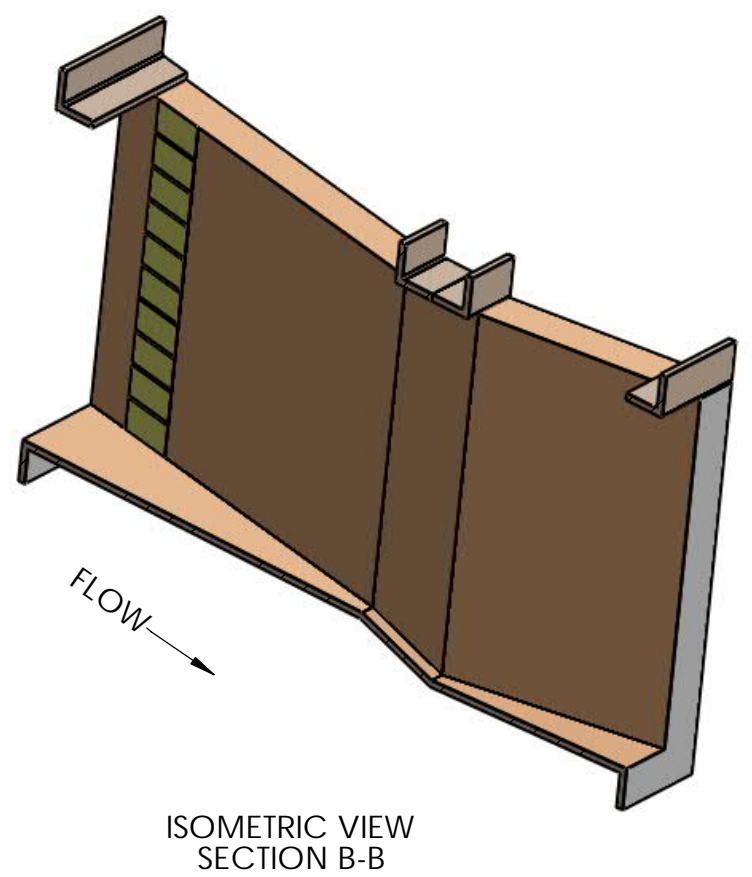
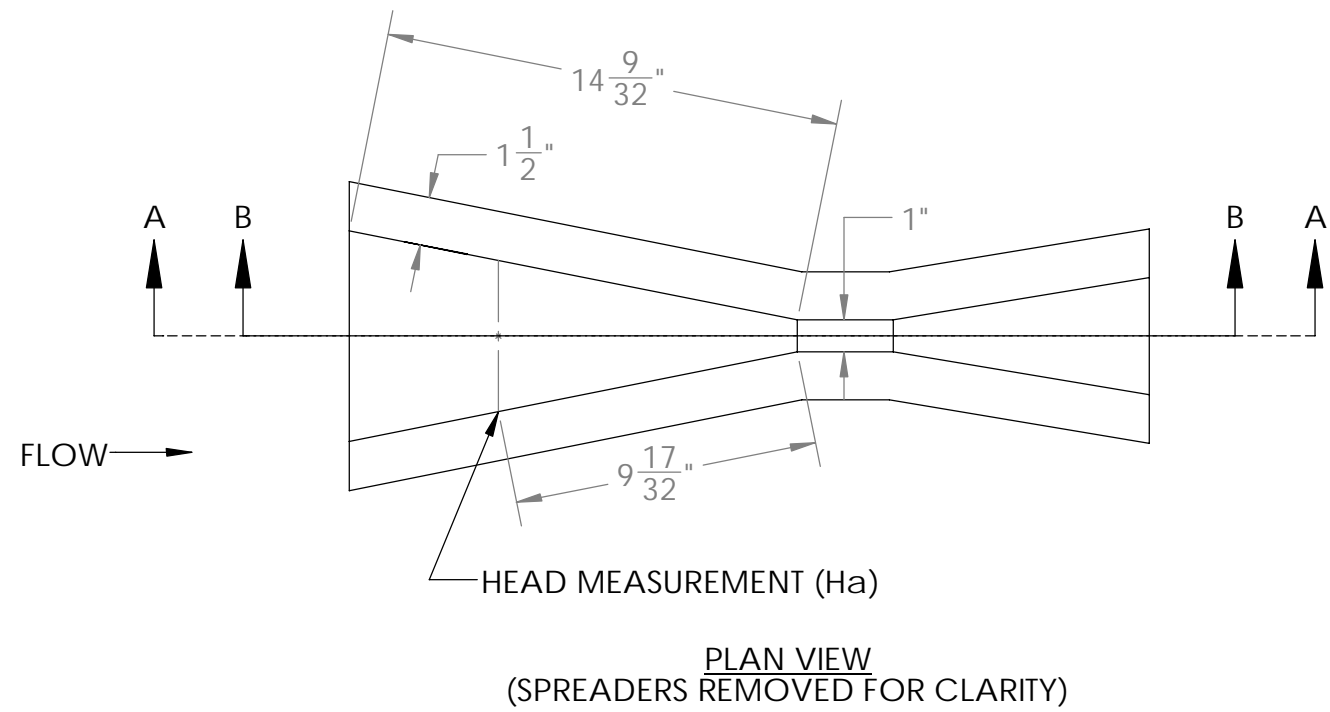
TITLE: 1 INCH PARSHALL FLUME

Project: WITHOUT OPTIONS

SIZE B	DWG. NO.	REV A
SCALE: 1:6	Weight 9.93	SHEET 1 OF 4

8 7 6 5 4 3 2 1

8 7 6 5 4 3 2 1



PROPRIETARY AND CONFIDENTIAL  
THE INFORMATION CONTAINED IN THIS DRAWING IS THE SOLE PROPERTY OF Virtual Polymer Compounds, LLC. ANY REPRODUCTION IN PART OR AS A WHOLE WITHOUT THE WRITTEN PERMISSION OF Virtual Polymer Compounds, LLC IS PROHIBITED.

UNLESS OTHERWISE SPECIFIED:  
DIMENSIONS ARE IN INCHES  
TOLERANCES:  
FRACTIONAL ±  
ANGULAR: MACH ± BEND ±  
TWO PLACE DECIMAL ±  
THREE PLACE DECIMAL ±

INTERPRET GEOMETRIC TOLERANCING PER:  
MATERIAL  
POLYESTER RESIN  
FINISH

DO NOT SCALE DRAWING

	NAME	DATE
DRAWN	LVR	8/6/2020
CHECKED		
ENG APPR.		
MFG APPR.		
Q.A.		
COMMENTS:		
3rd ANGLE PROJECTION		

**VPC** 10478 Ridge Rd.,  
Medina NY 14103  
Toll Free: 888-290-9522  
FIBERGLASS Phone: 585-735-9668

TITLE:  
1 INCH PARSHALL FLUME

Project:  
WITHOUT OPTIONS

SIZE <b>B</b>	DWG. NO.	REV A
------------------	----------	----------

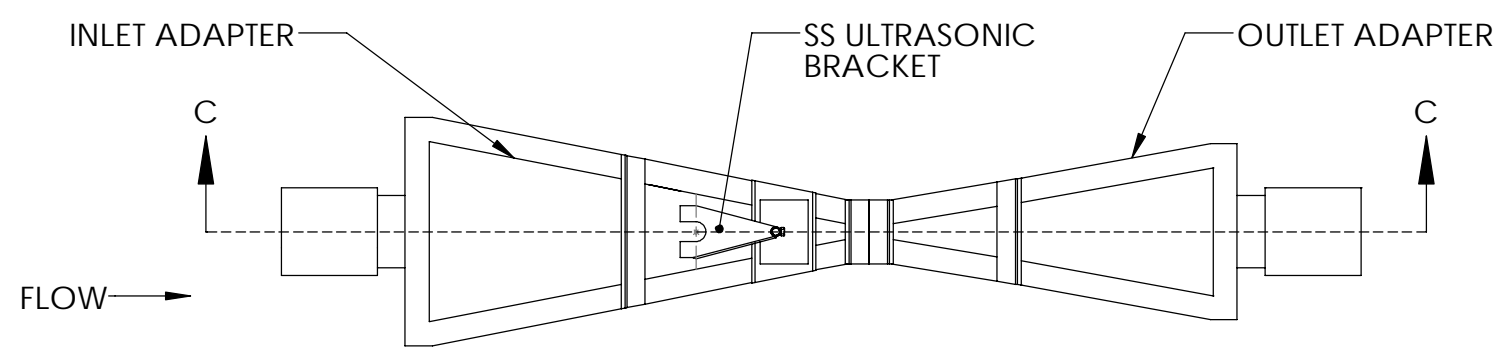
SCALE: 1:6 Weight 9.93 SHEET 2 OF 4

8 7 6 5 4 3 2 1

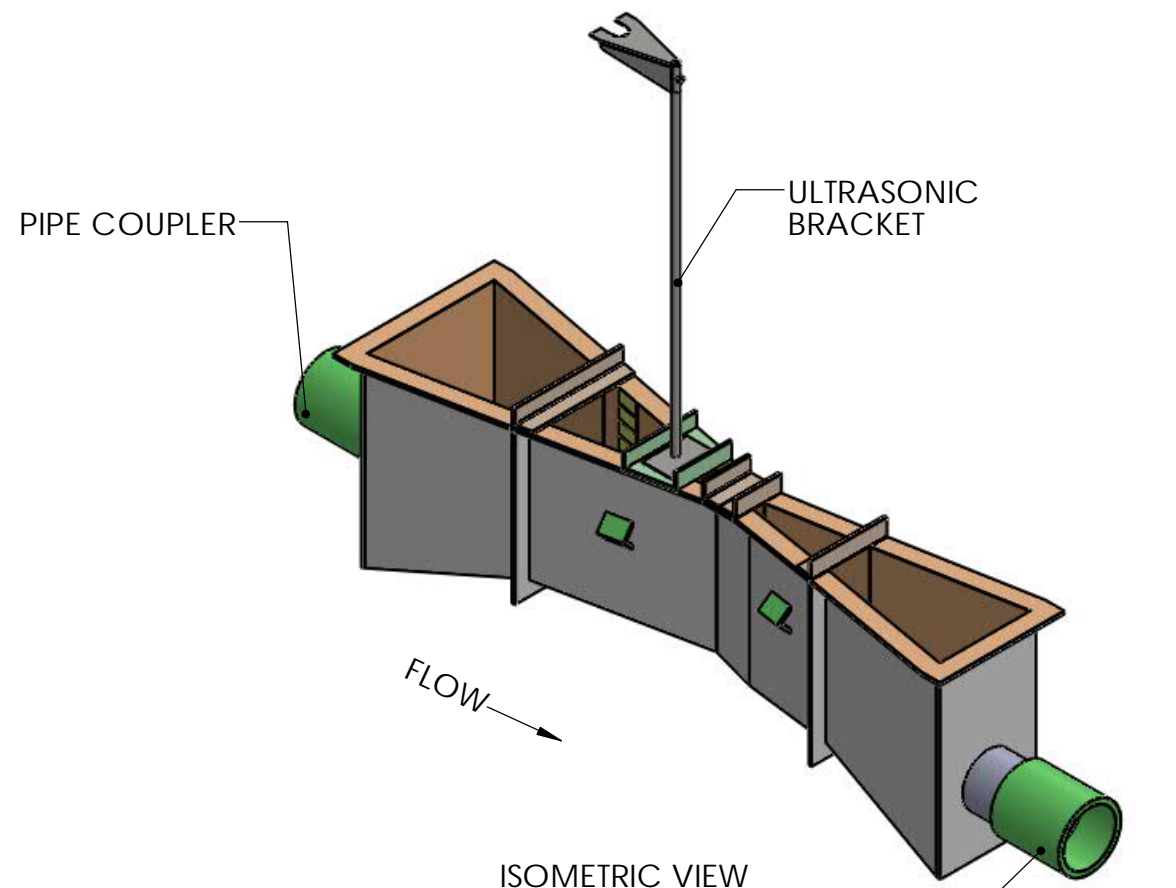
8 7 6 5 4 3 2 1

D

D



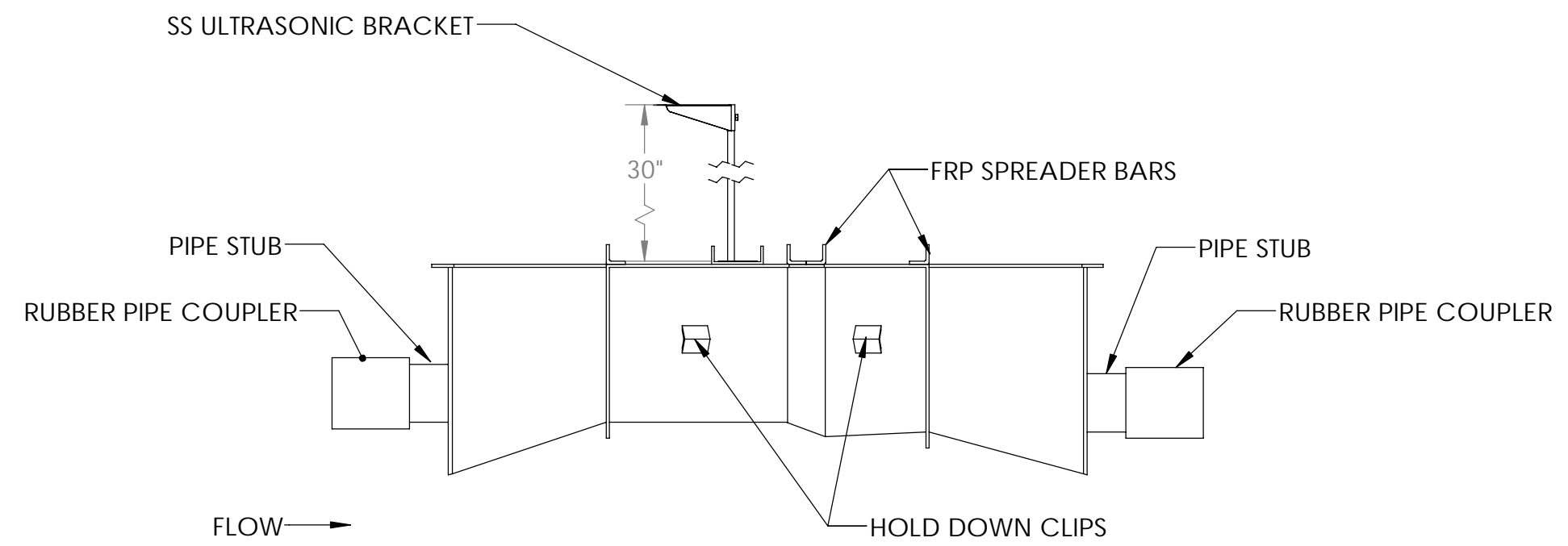
PLAN VIEW



ISOMETRIC VIEW

C


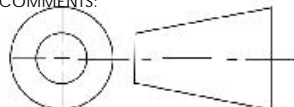
C



SIDE VIEW

B

B

UNLESS OTHERWISE SPECIFIED:		NAME	DATE	 <b>VPC</b> 10478 Ridge Rd., Medina NY 14103 Toll Free: 888-290-9522 Phone: 585-735-9668
DIMENSIONS ARE IN INCHES TOLERANCES: FRACTIONAL ± ANGULAR: MACH ± BEND ± TWO PLACE DECIMAL ± THREE PLACE DECIMAL ±		DRAWN	LVR 8/6/2020	
INTERPRET GEOMETRIC TOLERANCING PER:		CHECKED		TITLE: 1 INCH PARSHALL FLUME
MATERIAL POLYESTER RESIN FINISH		ENG APPR.		Project: WITH OPTIONS
DO NOT SCALE DRAWING		MFG APPR.		SIZE <b>B</b>
PROPRIETARY AND CONFIDENTIAL THE INFORMATION CONTAINED IN THIS DRAWING IS THE SOLE PROPERTY OF Virtual Polymer Compounds, LLC. ANY REPRODUCTION IN PART OR AS A WHOLE WITHOUT THE WRITTEN PERMISSION OF Virtual Polymer Compounds, LLC IS PROHIBITED.		Q.A.		DWG. NO.
		COMMENTS:	 3rd ANGLE PROJECTION	REV A
				SCALE: 1:12 Weight 33.27 SHEET 3 OF 4

8 7 6 5 4 3 2 1

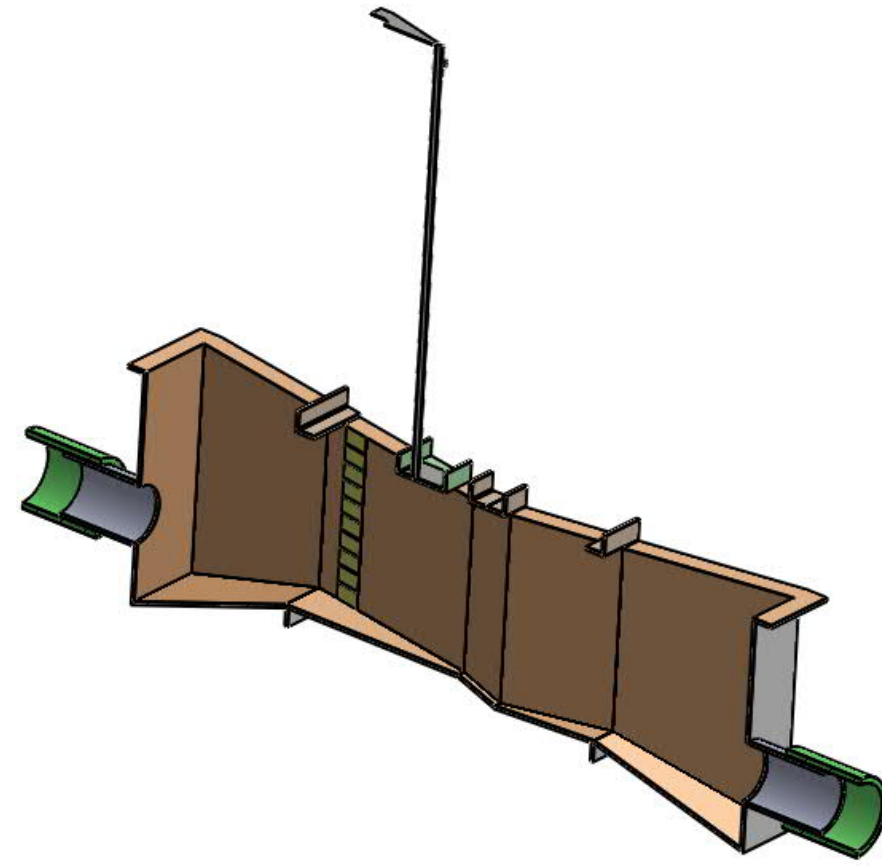
A

A

D  
C  
B  
A

AVAILABLE OPTIONS:


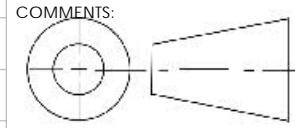
- STAFF GAUGE (ENGLISH OR METRIC).
- STILLING WELL (INTEGRAL OR REMOTE).
- BUBBLER TUBE (SS 1/4" ID, INTEGRAL OR REMOVABLE).
- SAMPLER TUBE (SS 3/8" ID, INTEGRAL OR REMOVABLE).
- INLET AND OUTLET END ADAPTERS.
- PIPE STUBS.
- RUBBER PIPE COUPLERS W/ SS CLAMP BANDS.
- ADJUSTABLE SS ULTRASONIC BRACKET.
- PH PROBE CAVITY.
- WING WALLS AND BULK HEADS.
- ENERGY ABSORBING RACKS. (FIXED OR REMOVABLE).
- STANDARD OR SPECIAL DEPTHS (INCLUDING SURGE BOXES).
- FLUME COVERS (GRATING, FIBER SHEETING, CLEAR POLYCARBONATE).
- MONTANA CUT DESIGN.
- SPECIAL DESIGN (TO MEET SPECIAL PROJECT NEEDS).
- STANDARD COLOR IS BEIGE (CUSTOM COLORS AVAILABLE).



SECTION C-C

D  
C  
B  
A

PROPRIETARY AND CONFIDENTIAL  
THE INFORMATION CONTAINED IN THIS DRAWING IS THE SOLE PROPERTY OF Virtual Polymer Compounds, LLC. ANY REPRODUCTION IN PART OR AS A WHOLE WITHOUT THE WRITTEN PERMISSION OF Virtual Polymer Compounds, LLC IS PROHIBITED.

UNLESS OTHERWISE SPECIFIED:  DIMENSIONS ARE IN INCHES TOLERANCES: FRACTIONAL ± ANGULAR: MACH ± BEND ± TWO PLACE DECIMAL ± THREE PLACE DECIMAL ±	NAME	DATE	 <b>VPC</b> 10478 Ridge Rd., Medina NY 14103 Toll Free: 888-290-9522 Phone: 585-735-9668	
	DRAWN	LVR		8/6/2020
	CHECKED			
	ENG APPR.			
INTERPRET GEOMETRIC TOLERANCING PER:	Q.A.		TITLE: 1 INCH PARSHALL FLUME  Project: WITH OPTIONS	
MATERIAL POLYESTER RESIN FINISH	COMMENTS:			SIZE <b>B</b>
DO NOT SCALE DRAWING	3rd ANGLE PROJECTION	SCALE: 1:6	Weight 33.27	REV A
			SHEET 4 OF 4	