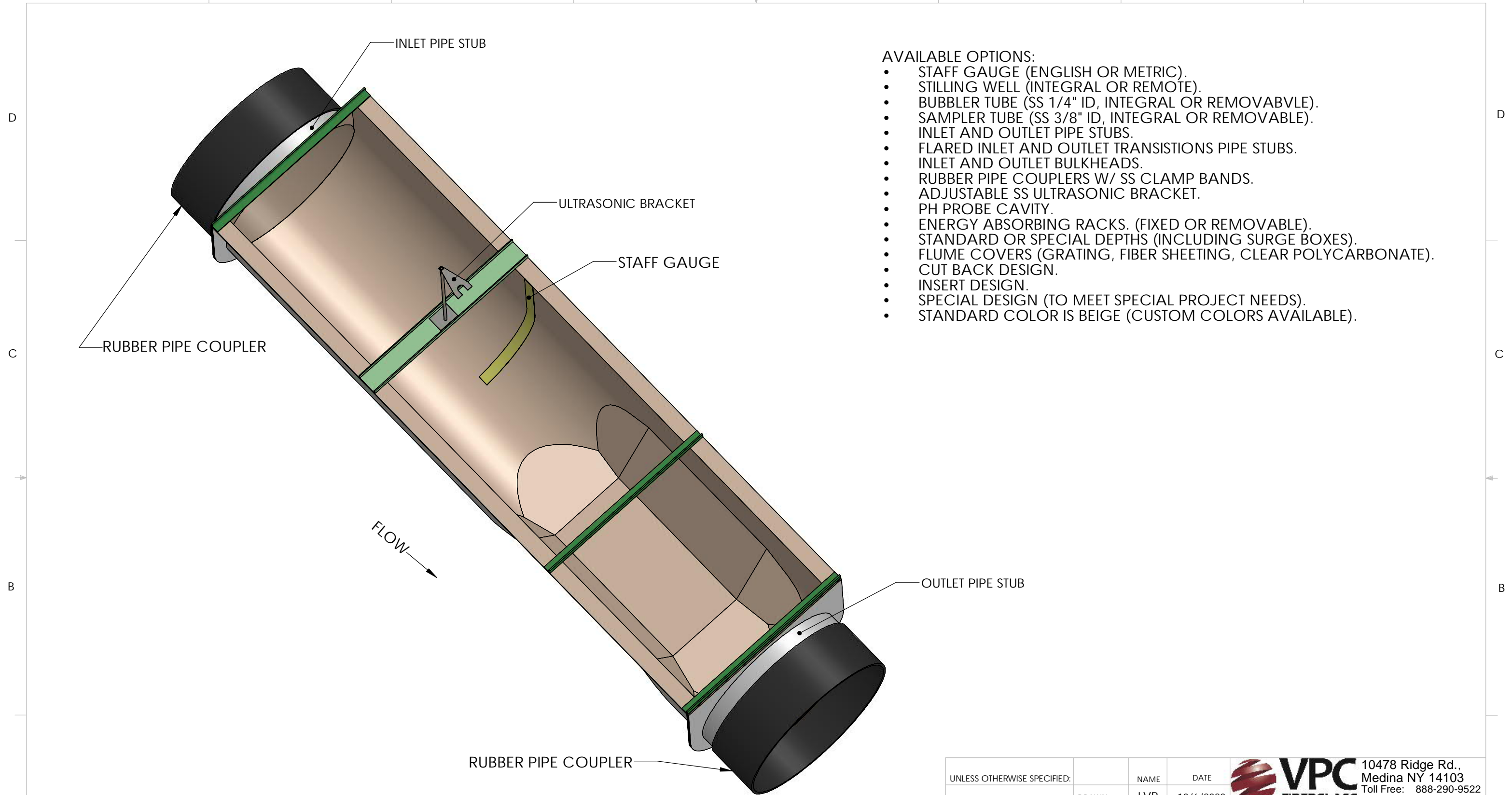


8 7 6 5 4 3 2 1



AVAILABLE OPTIONS:

- STAFF GAUGE (ENGLISH OR METRIC).
- STILLING WELL (INTEGRAL OR REMOTE).
- BUBBLER TUBE (SS 1/4" ID, INTEGRAL OR REMOVABLE).
- SAMPLER TUBE (SS 3/8" ID, INTEGRAL OR REMOVABLE).
- INLET AND OUTLET PIPE STUBS.
- FLARED INLET AND OUTLET TRANSITIONS PIPE STUBS.
- INLET AND OUTLET BULKHEADS.
- RUBBER PIPE COUPLERS W/ SS CLAMP BANDS.
- ADJUSTABLE SS ULTRASONIC BRACKET.
- PH PROBE CAVITY.
- ENERGY ABSORBING RACKS. (FIXED OR REMOVABLE).
- STANDARD OR SPECIAL DEPTHS (INCLUDING SURGE BOXES).
- FLUME COVERS (GRATING, FIBER SHEETING, CLEAR POLYCARBONATE).
- CUT BACK DESIGN.
- INSERT DESIGN.
- SPECIAL DESIGN (TO MEET SPECIAL PROJECT NEEDS).
- STANDARD COLOR IS BEIGE (CUSTOM COLORS AVAILABLE).

D
C
B
A

D
C
B
A

PROPRIETARY AND CONFIDENTIAL
THE INFORMATION CONTAINED IN THIS DRAWING IS THE SOLE PROPERTY OF VIRTUAL POLYMER COMPOUNDS, LLC. ANY REPRODUCTION IN PART OR AS A WHOLE WITHOUT THE WRITTEN PERMISSION OF VIRTUAL POLYMER COMPOUNDS, LLC IS PROHIBITED.

UNLESS OTHERWISE SPECIFIED:
DIMENSIONS ARE IN INCHES
TOLERANCES:
FRACTIONAL ±
ANGULAR: MACH ± BEND ±
TWO PLACE DECIMAL ±
THREE PLACE DECIMAL ±

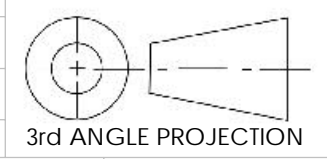
INTERPRET GEOMETRIC TOLERANCING PER:
MATERIAL
POLYESTER RESIN
FINISH

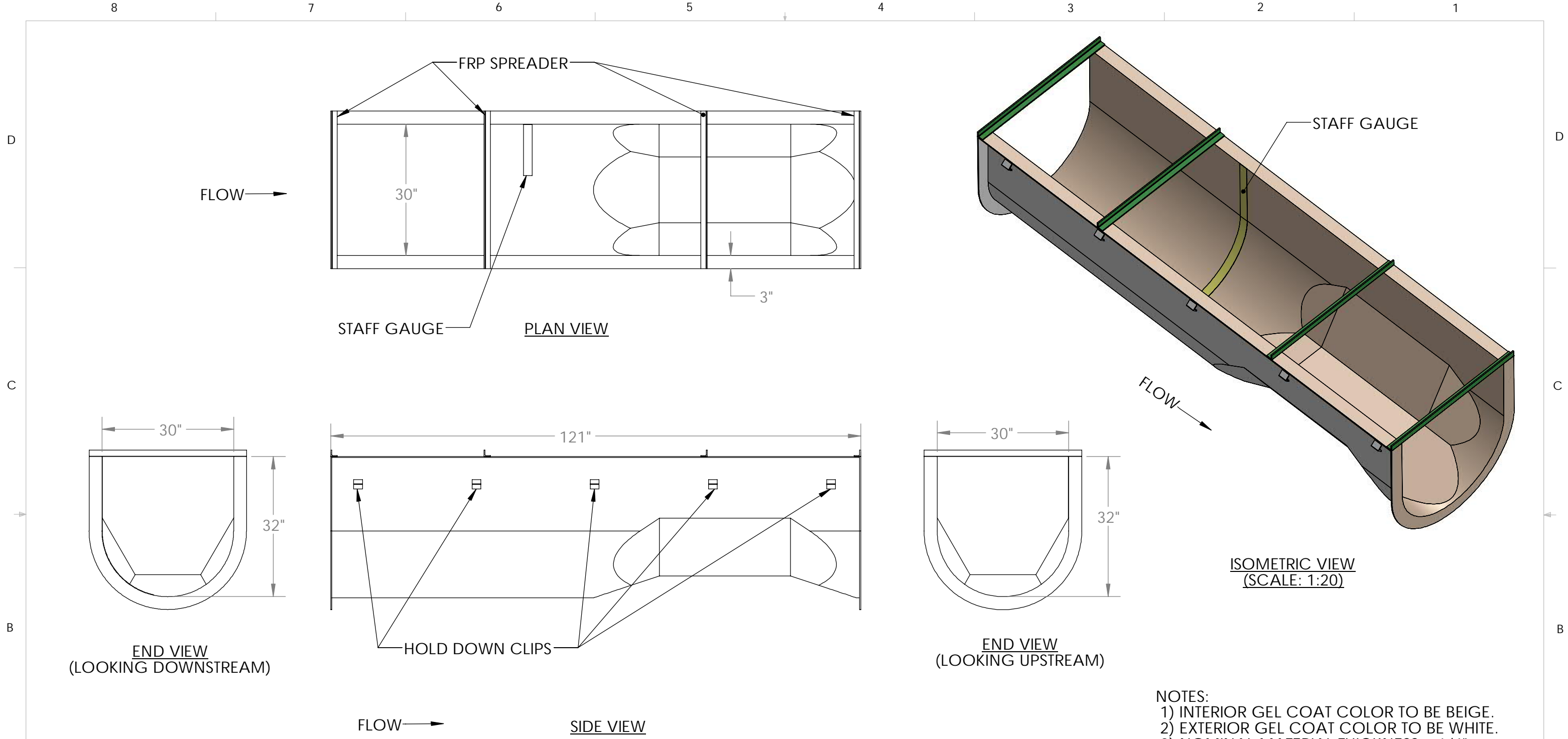
DO NOT SCALE DRAWING

	NAME	DATE
DRAWN	LVR	10/6/2020
CHECKED		
ENG APPR.		
MFG APPR.		
Q.A.		

VPC FIBERGLASS 10478 Ridge Rd., Medina NY 14103
Toll Free: 888-290-9522
Phone: 585-735-9668

TITLE: 30 IN PALMER BOWLUS FLUME		
Project: WITH OPTIONS		
SIZE B	DWG. NO.	REV A
SCALE: 1:16	Weight 169.94	SHEET 1 OF 5





- NOTES:**
- 1) INTERIOR GEL COAT COLOR TO BE BEIGE.
 - 2) EXTERIOR GEL COAT COLOR TO BE WHITE.
 - 3) NOMINAL MATERIAL THICKNESS = 1/4".

PROPRIETARY AND CONFIDENTIAL
 THE INFORMATION CONTAINED IN THIS DRAWING IS THE SOLE PROPERTY OF VIRTUAL POLYMER COMPOUNDS, LLC. ANY REPRODUCTION IN PART OR AS A WHOLE WITHOUT THE WRITTEN PERMISSION OF VIRTUAL POLYMER COMPOUNDS, LLC IS PROHIBITED.

UNLESS OTHERWISE SPECIFIED:

DIMENSIONS ARE IN INCHES
 TOLERANCES:
 FRACTIONAL ±
 ANGULAR: MACH ± BEND ±
 TWO PLACE DECIMAL ±
 THREE PLACE DECIMAL ±

INTERPRET GEOMETRIC TOLERANCING PER:
 MATERIAL POLYESTER RESIN FINISH

DO NOT SCALE DRAWING

	NAME	DATE
DRAWN	LVR	10/6/2020
CHECKED		
ENG APPR.		
MFG APPR.		
Q.A.		

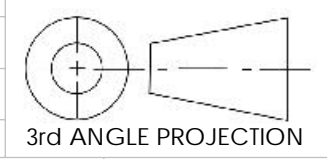
VPC FIBERGLASS 10478 Ridge Rd., Medina NY 14103
 Toll Free: 888-290-9522 Phone: 585-735-9668

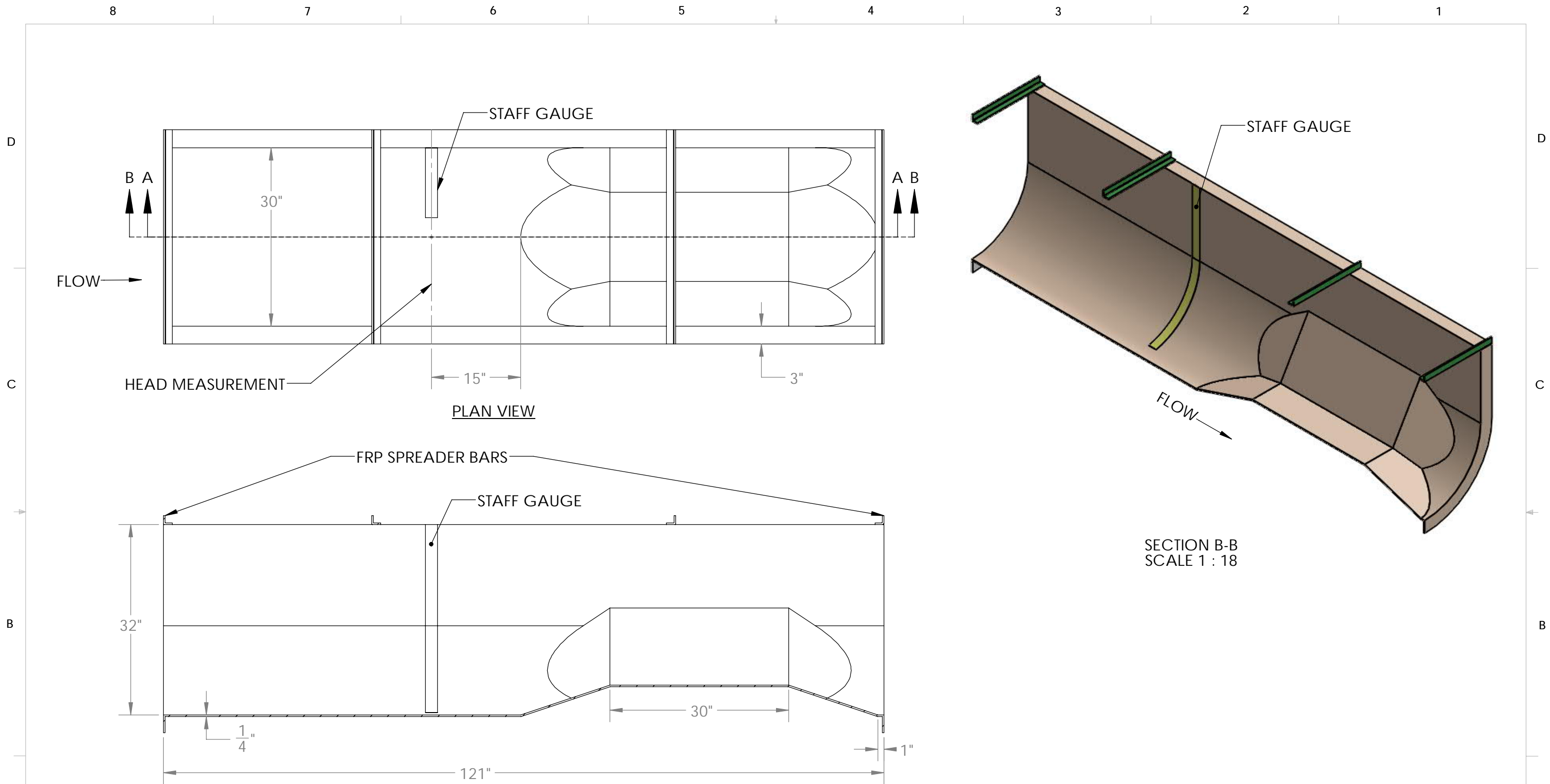
TITLE: 30 IN PALMER BOWLUS FLUME

Project: WITHOUT OPTIONS

SIZE B	DWG. NO.	REV A
---------------	----------	--------------

SCALE: 1:22 Weight 101.12 SHEET 2 OF 5





PROPRIETARY AND CONFIDENTIAL
 THE INFORMATION CONTAINED IN THIS DRAWING IS THE SOLE PROPERTY OF Virtual Polymer Compounds, LLC. ANY REPRODUCTION IN PART OR AS A WHOLE WITHOUT THE WRITTEN PERMISSION OF Virtual Polymer Compounds, LLC IS PROHIBITED.

UNLESS OTHERWISE SPECIFIED:

DIMENSIONS ARE IN INCHES

TOLERANCES:

FRACTIONAL ±

ANGULAR: MACH ± BEND ±

TWO PLACE DECIMAL ±

THREE PLACE DECIMAL ±

INTERPRET GEOMETRIC TOLERANCING PER:

MATERIAL: POLYESTER RESIN

FINISH:

DO NOT SCALE DRAWING

	NAME	DATE
DRAWN	LVR	10/6/2020
CHECKED		
ENG APPR.		
MFG APPR.		
Q.A.		

COMMENTS:

3rd ANGLE PROJECTION

VPC 10478 Ridge Rd.,
 Medina NY 14103
 Toll Free: 888-290-9522
 Phone: 585-735-9668

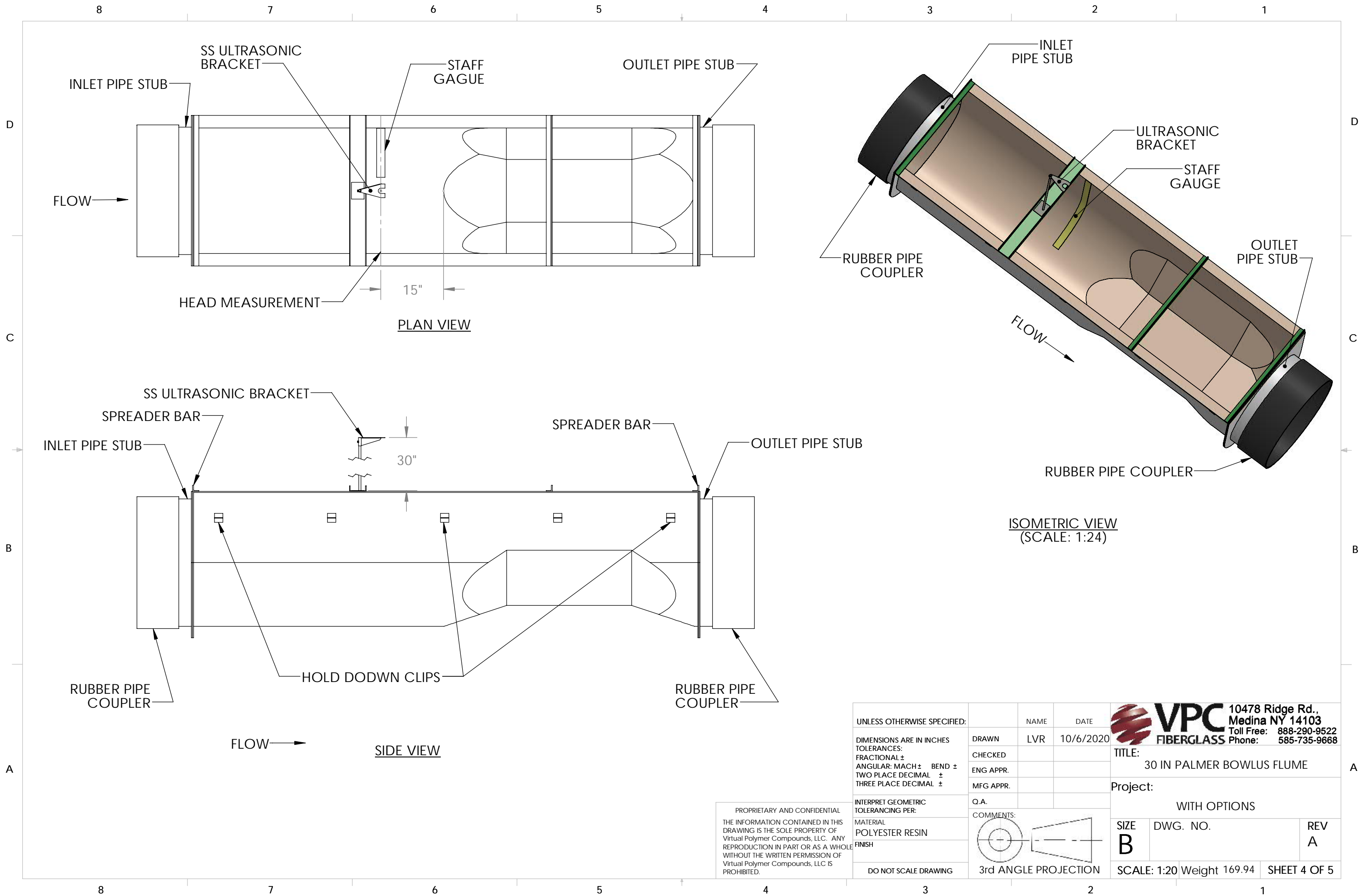
FIBERGLASS

TITLE:
 30 IN PALMER BOWLUS FLUME

Project:
 WITHOUT OPTIONS

SIZE B	DWG. NO.	REV A
------------------	----------	----------

SCALE: 1:16 Weight 101.12 SHEET 3 OF 5



PROPRIETARY AND CONFIDENTIAL
 THE INFORMATION CONTAINED IN THIS
 DRAWING IS THE SOLE PROPERTY OF
 Virtual Polymer Compounds, LLC. ANY
 REPRODUCTION IN PART OR AS A WHOLE
 WITHOUT THE WRITTEN PERMISSION OF
 Virtual Polymer Compounds, LLC IS
 PROHIBITED.

UNLESS OTHERWISE SPECIFIED:	NAME	DATE
DIMENSIONS ARE IN INCHES	DRAWN	LVR 10/6/2020
TOLERANCES:	CHECKED	
FRACTIONAL ±	ENG APPR.	
ANGULAR: MACH ± BEND ±	MFG APPR.	
TWO PLACE DECIMAL ±	Q.A.	
THREE PLACE DECIMAL ±	COMMENTS:	
INTERPRET GEOMETRIC TOLERANCING PER:		
MATERIAL	3rd ANGLE PROJECTION	
POLYESTER RESIN		
FINISH		
DO NOT SCALE DRAWING		

VPC 10478 Ridge Rd., Medina NY 14103
 Toll Free: 888-290-9522
 Phone: 585-735-9668

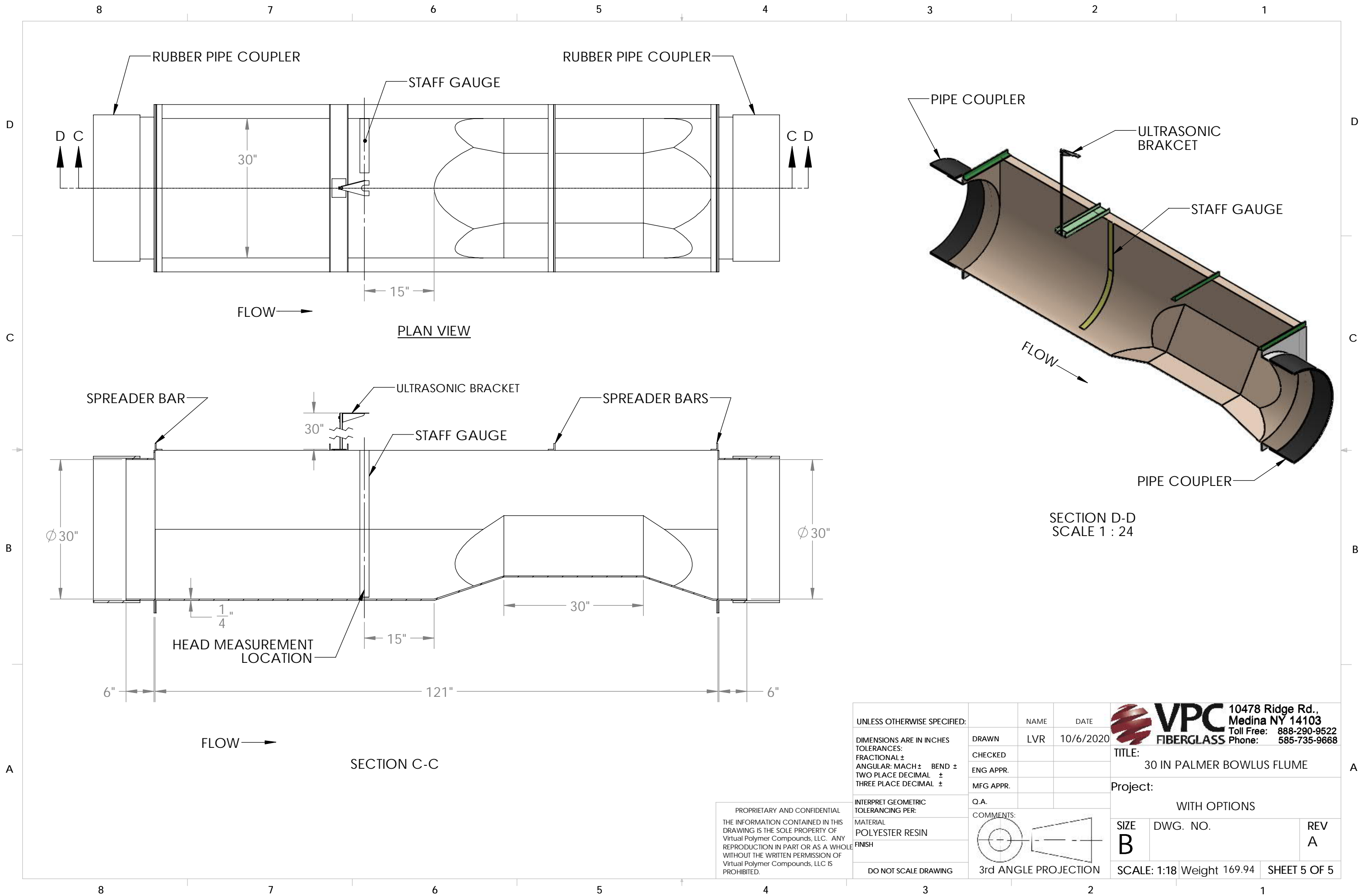
FIBERGLASS

TITLE: 30 IN PALMER BOWLUS FLUME

Project: WITH OPTIONS

SIZE	DWG. NO.	REV
B		A

SCALE: 1:20 Weight 169.94 SHEET 4 OF 5



RUBBER PIPE COUPLER

STAFF GAUGE

RUBBER PIPE COUPLER

PIPE COUPLER

ULTRASONIC BRACKET

STAFF GAUGE

PIPE COUPLER

SECTION D-D
SCALE 1 : 24

SPREADER BAR


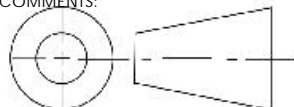
ULTRASONIC BRACKET

SPREADER BARS

STAFF GAUGE

HEAD MEASUREMENT LOCATION

SECTION C-C

UNLESS OTHERWISE SPECIFIED:		NAME	DATE	 VPC 10478 Ridge Rd., Medina NY 14103 Toll Free: 888-290-9522 Phone: 585-735-9668 FIBERGLASS
DIMENSIONS ARE IN INCHES TOLERANCES: FRACTIONAL ± ANGULAR: MACH ± BEND ± TWO PLACE DECIMAL ± THREE PLACE DECIMAL ±		DRAWN	LVR 10/6/2020	
INTERPRET GEOMETRIC TOLERANCING PER:		CHECKED		TITLE: 30 IN PALMER BOWLUS FLUME
MATERIAL POLYESTER RESIN FINISH		ENG APPR.		Project: WITH OPTIONS
DO NOT SCALE DRAWING		MFG APPR.		SIZE DWG. NO. REV B
PROPRIETARY AND CONFIDENTIAL THE INFORMATION CONTAINED IN THIS DRAWING IS THE SOLE PROPERTY OF Virtual Polymer Compounds, LLC. ANY REPRODUCTION IN PART OR AS A WHOLE WITHOUT THE WRITTEN PERMISSION OF Virtual Polymer Compounds, LLC IS PROHIBITED.		Q.A.		SCALE: 1:18 Weight 169.94 SHEET 5 OF 5
		COMMENTS:	 3rd ANGLE PROJECTION	