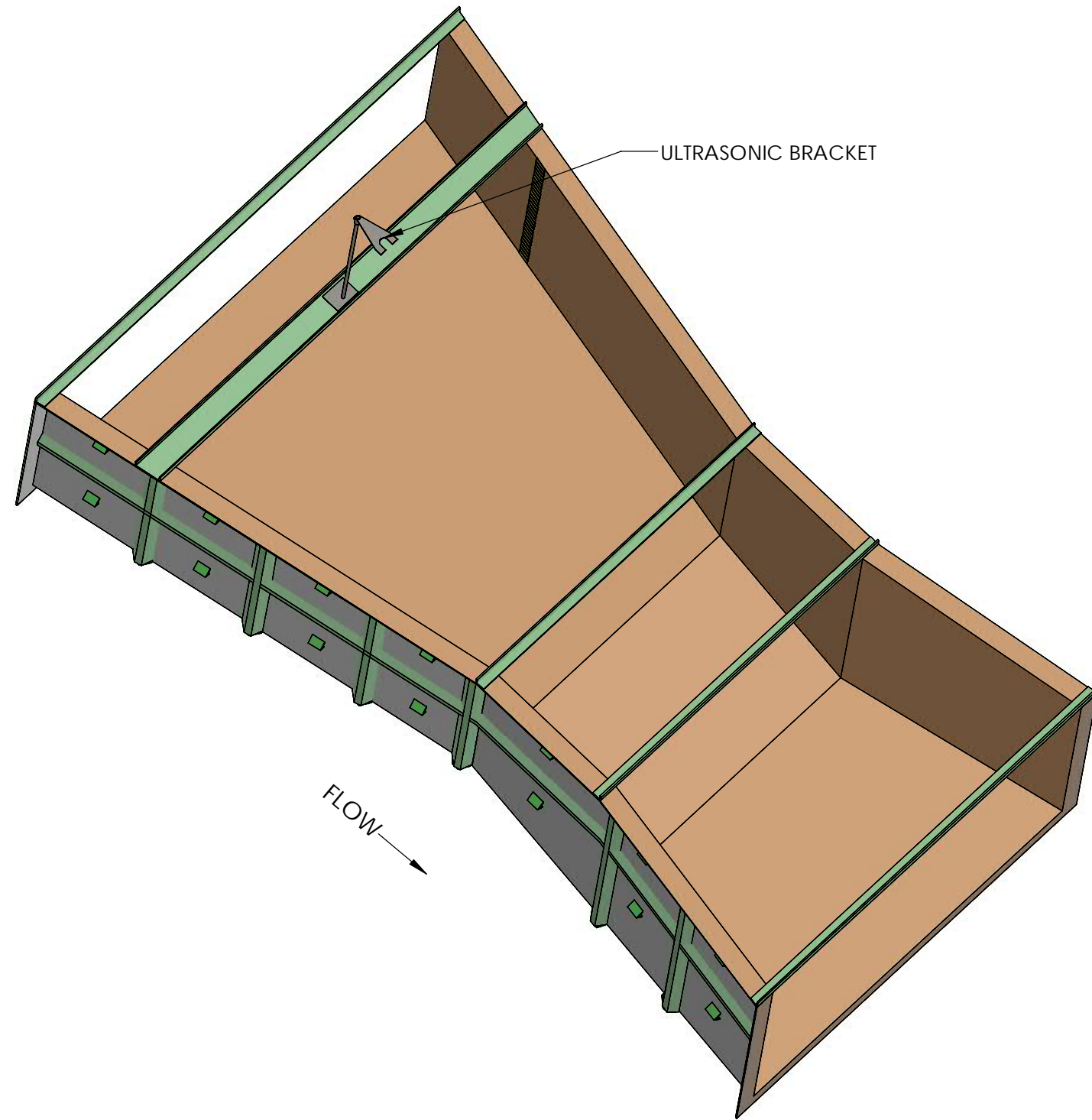


8 7 6 5 4 3 2 1

D
C
B
A



ULTRASONIC BRACKET

FLOW →

AVAILABLE OPTIONS:

- STAFF GAUGE (ENGLISH OR METRIC).
- STILLING WELL (INTEGRAL OR REMOTE).
- BUBBLER TUBE (SS 1/4" ID, INTEGRAL OR REMOVABLE).
- SAMPLER TUBE (SS 3/8" ID, INTEGRAL OR REMOVABLE).
- INLET AND OUTLET END ADAPTERS.
- PIPE STUBS.
- RUBBER PIPE COUPLERS W/ SS CLAMP BANDS.
- ADJUSTABLE SS ULTRASONIC BRACKET.
- PH PROBE CAVITY.
- WING WALLS AND BULK HEADS.
- ENERGY ABSORBING RACKS. (FIXED OR REMOVABLE).
- STANDARD OR SPECIAL DEPTHS (INCLUDING SURGE BOXES).
- FLUME COVERS (GRATING, FIBER SHEETING, CLEAR POLYCARBONATE).
- MONTANA CUT DESIGN.
- SPECIAL DESIGN (TO MEET SPECIAL PROJECT NEEDS).
- STANDARD COLOR IS BEIGE (CUSTOM COLORS AVAILABLE).

D
C
B
A

PROPRIETARY AND CONFIDENTIAL
THE INFORMATION CONTAINED IN THIS DRAWING IS THE SOLE PROPERTY OF VIRTUAL POLYMER COMPOUNDS, LLC. ANY REPRODUCTION IN PART OR AS A WHOLE WITHOUT THE WRITTEN PERMISSION OF VIRTUAL POLYMER COMPOUNDS, LLC IS PROHIBITED.

UNLESS OTHERWISE SPECIFIED:
DIMENSIONS ARE IN INCHES
TOLERANCES:
FRACTIONAL ±
ANGULAR: MACH ± BEND ±
TWO PLACE DECIMAL ±
THREE PLACE DECIMAL ±
INTERPRET GEOMETRIC TOLERANCING PER:
MATERIAL
POLYESTER RESIN
FINISH
DO NOT SCALE DRAWING

	NAME	DATE
DRAWN	LVR	8/6/2020
CHECKED		
ENG APPR.		
MFG APPR.		
Q.A.		

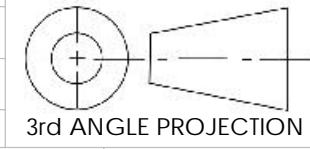
VPC 10478 Ridge Rd.,
Medina NY 14103
Toll Free: 888-290-9522
FIBERGLASS Phone: 585-735-9668

TITLE: 48 INCH PARSHALL FLUME

Project: WITH OPTIONS

SIZE	DWG. NO.	REV
B		A

SCALE: 1:20 Weight 237.46 SHEET 1 OF 5

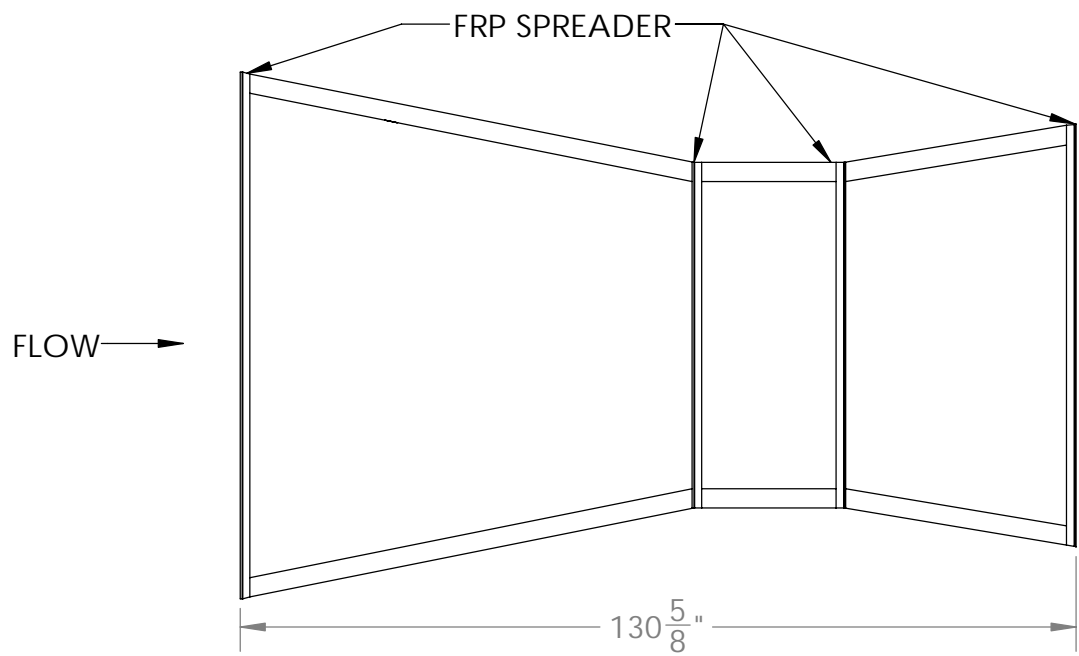


8 7 6 5 4 3 2 1

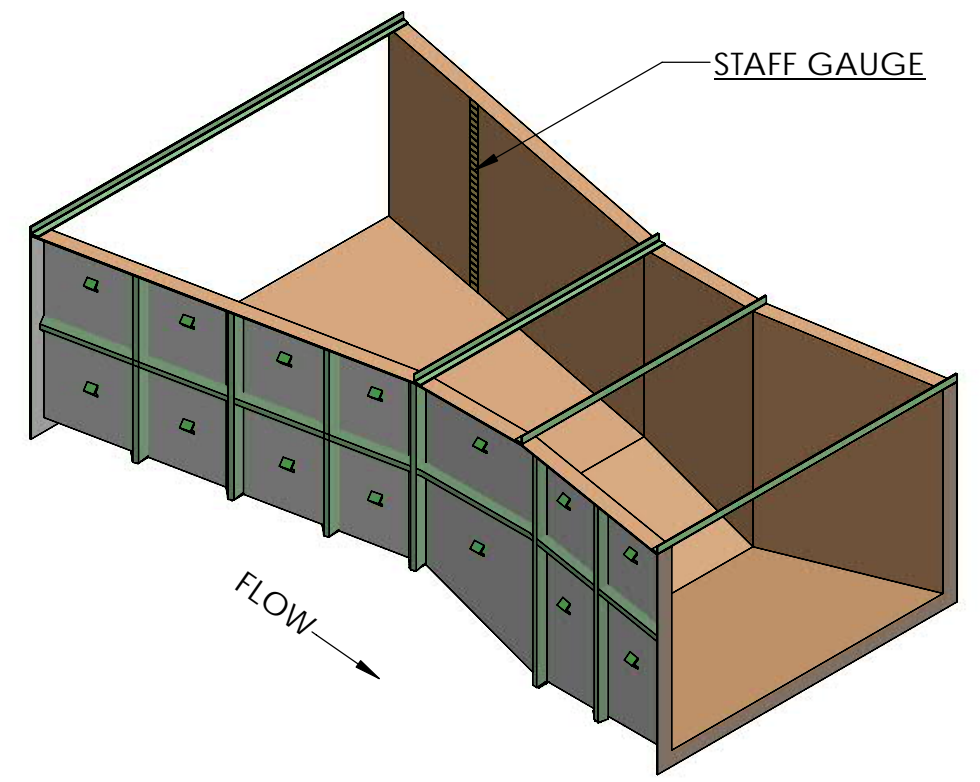
8 7 6 5 4 3 2 1

D

D



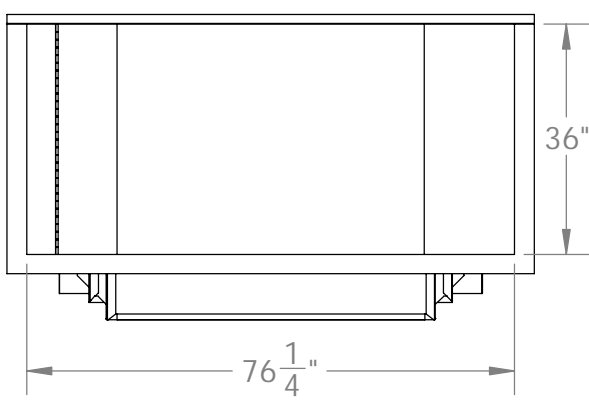
PLAN VIEW



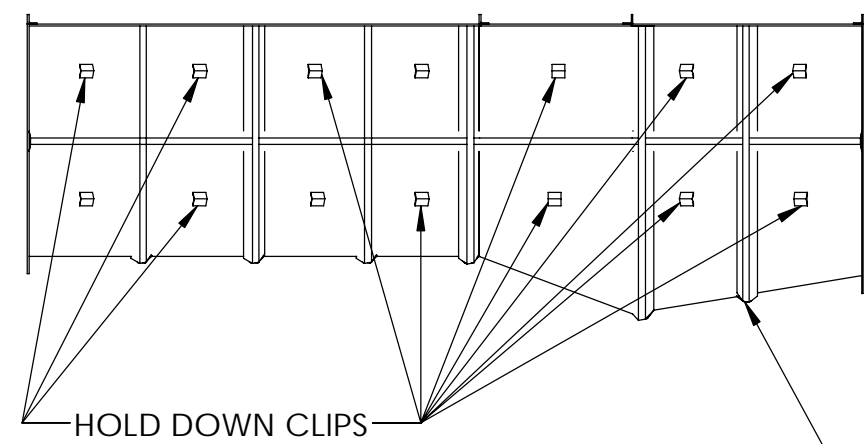
ISOMETRIC VIEW

C

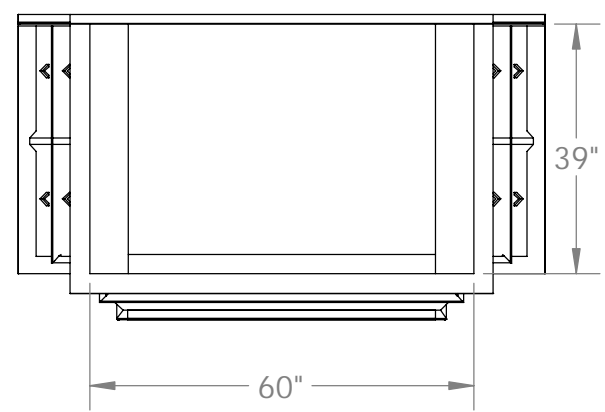
C



END VIEW
(LOOKING DOWNSTREAM)



SIDE VIEW



END VIEW
(LOOKING UPSTREAM)

- NOTES:
- 1) INTERIOR GEL COAT COLOR TO BE BEIGE.
 - 2) EXTERIOR GEL COAT COLOR TO BE WHITE.
 - 3) NOMINAL MATERIAL THICKNESS = 1/4".

A

A

PROPRIETARY AND CONFIDENTIAL
THE INFORMATION CONTAINED IN THIS DRAWING IS THE SOLE PROPERTY OF VIRTUAL POLYMER COMPOUNDS, LLC. ANY REPRODUCTION IN PART OR AS A WHOLE WITHOUT THE WRITTEN PERMISSION OF VIRTUAL POLYMER COMPOUNDS, LLC IS PROHIBITED.

UNLESS OTHERWISE SPECIFIED:
DIMENSIONS ARE IN INCHES
TOLERANCES:
FRACTIONAL ±
ANGULAR: MACH ± BEND ±
TWO PLACE DECIMAL ±
THREE PLACE DECIMAL ±

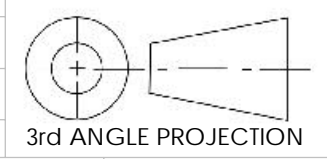
INTERPRET GEOMETRIC TOLERANCING PER:
MATERIAL
POLYESTER RESIN
FINISH

DO NOT SCALE DRAWING

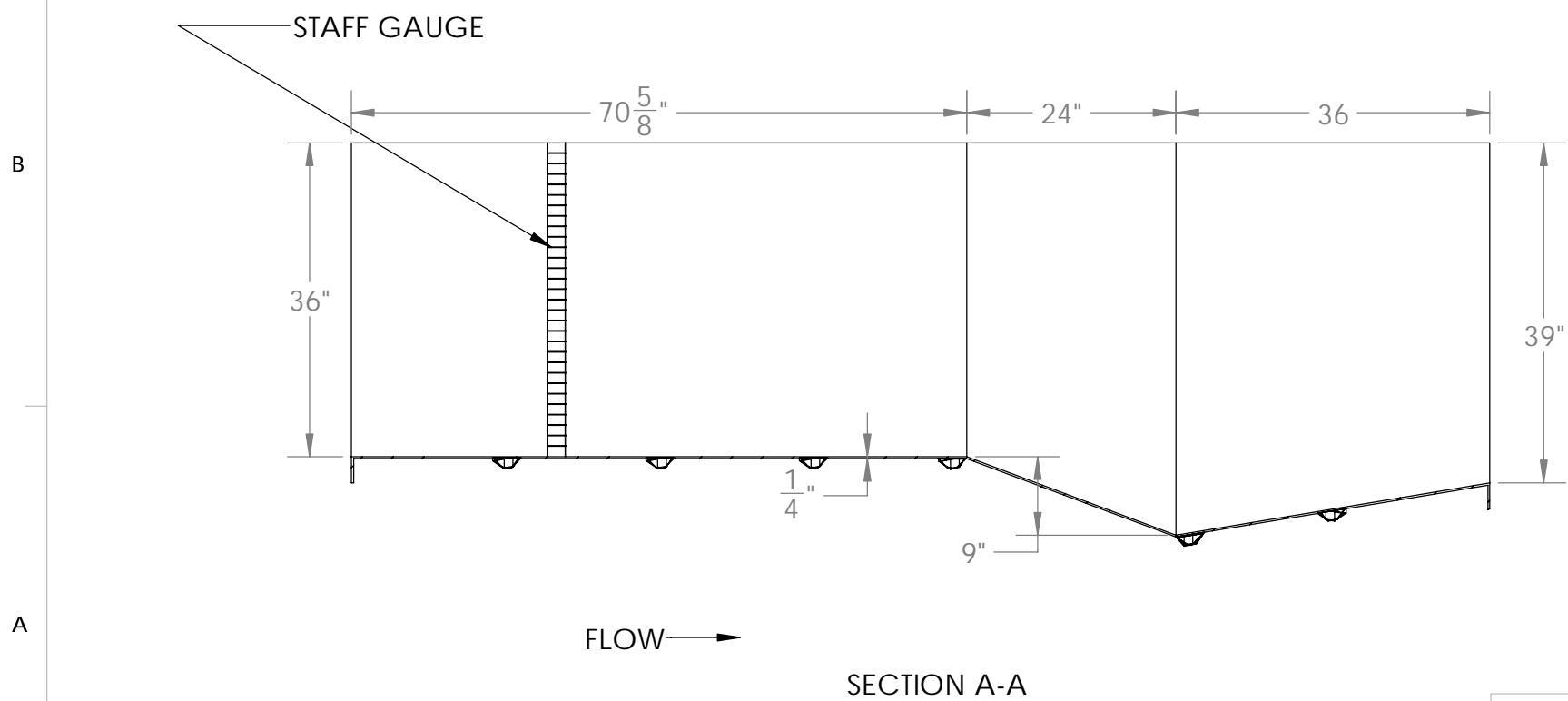
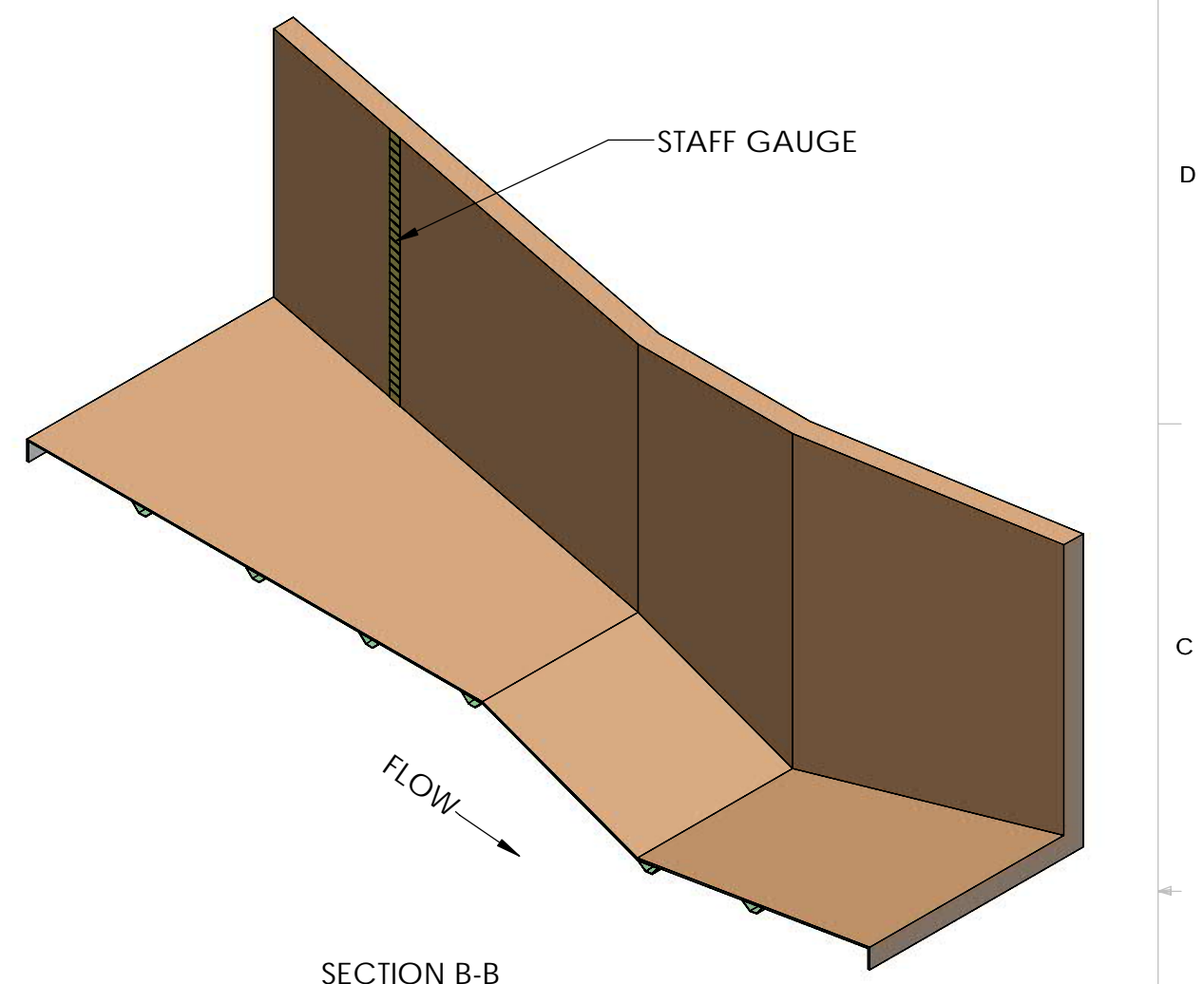
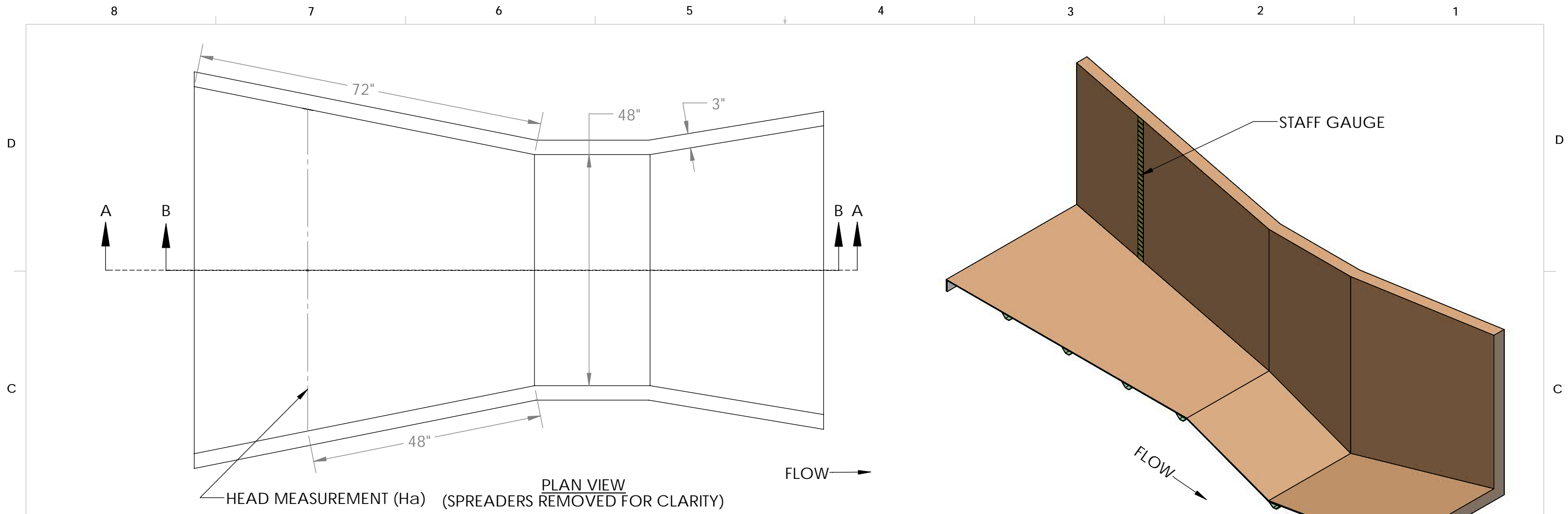
NAME	DATE
DRAWN LVR	8/6/2020
CHECKED	
ENG APPR.	
MFG APPR.	
Q.A.	

VPC 10478 Ridge Rd.,
Medina NY 14103
Toll Free: 888-290-9522
Phone: 585-735-9668
FIBERGLASS

TITLE: 48 INCH PARSHALL FLUME		
Project: WITHOUT OPTIONS		
SIZE B	DWG. NO.	REV A
SCALE: 1:30	Weight 233.23	SHEET 2 OF 5



8 7 6 5 4 3 2 1



PROPRIETARY AND CONFIDENTIAL
 THE INFORMATION CONTAINED IN THIS DRAWING IS THE SOLE PROPERTY OF Virtual Polymer Compounds, LLC. ANY REPRODUCTION IN PART OR AS A WHOLE WITHOUT THE WRITTEN PERMISSION OF Virtual Polymer Compounds, LLC IS PROHIBITED.

UNLESS OTHERWISE SPECIFIED:

DIMENSIONS ARE IN INCHES
 TOLERANCES:
 FRACTIONAL ±
 ANGULAR: MACH ± BEND ±
 TWO PLACE DECIMAL ±
 THREE PLACE DECIMAL ±

INTERPRET GEOMETRIC TOLERANCING PER:

MATERIAL: POLYESTER RESIN
 FINISH:

DO NOT SCALE DRAWING

	NAME	DATE
DRAWN	LVR	8/6/2020
CHECKED		
ENG APPR.		
MFG APPR.		
Q.A.		

COMMENTS:

3rd ANGLE PROJECTION

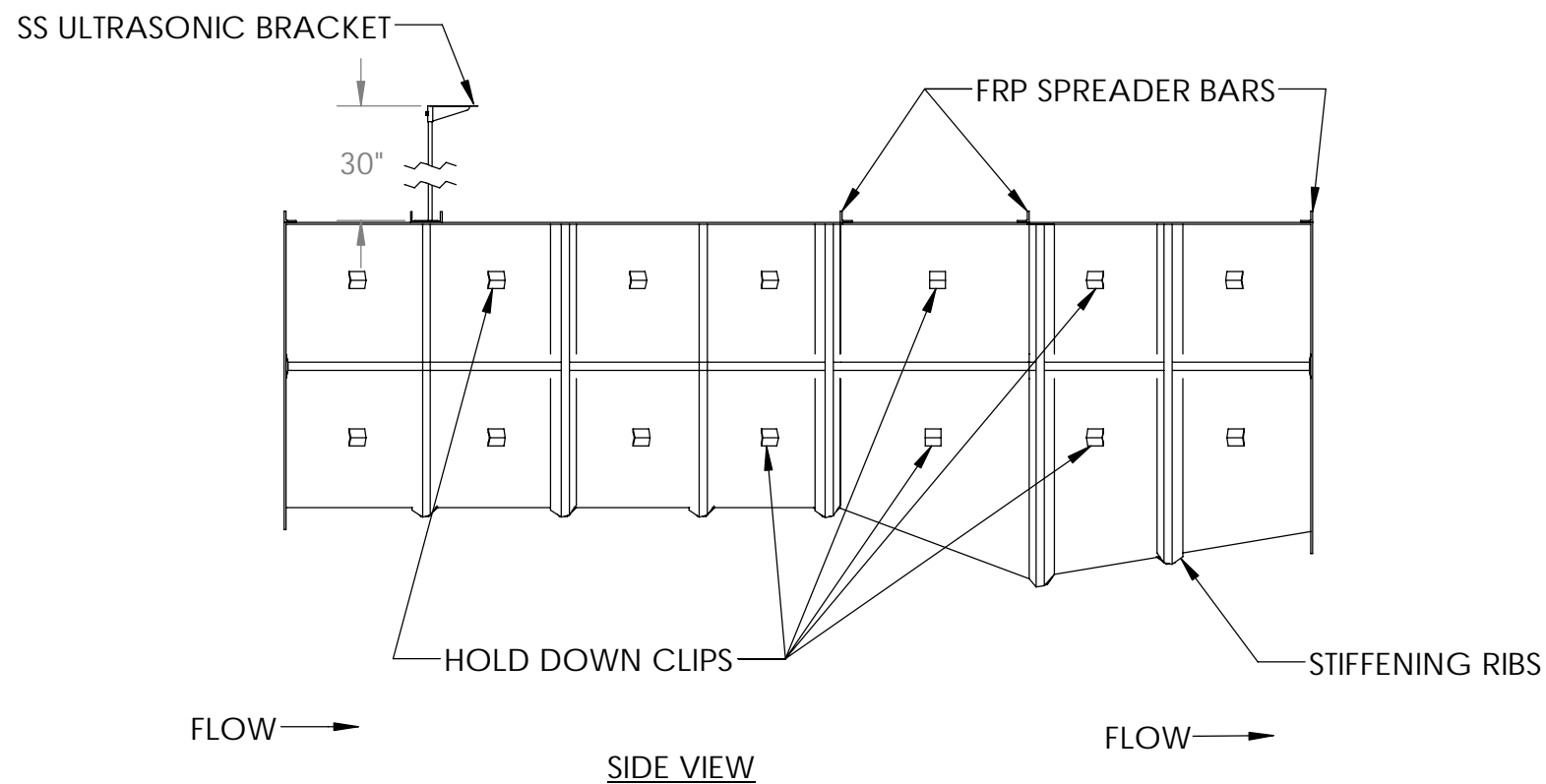
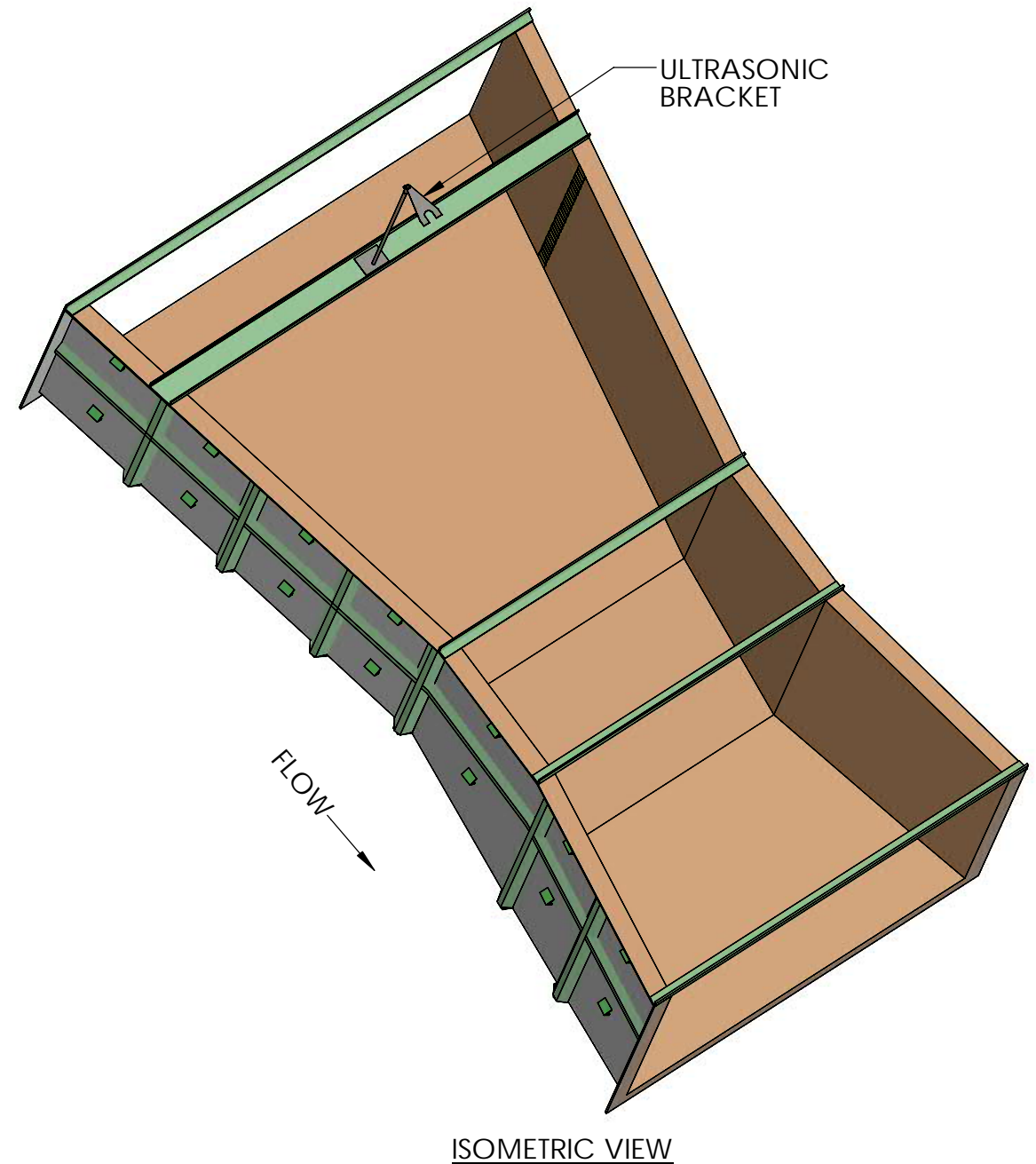
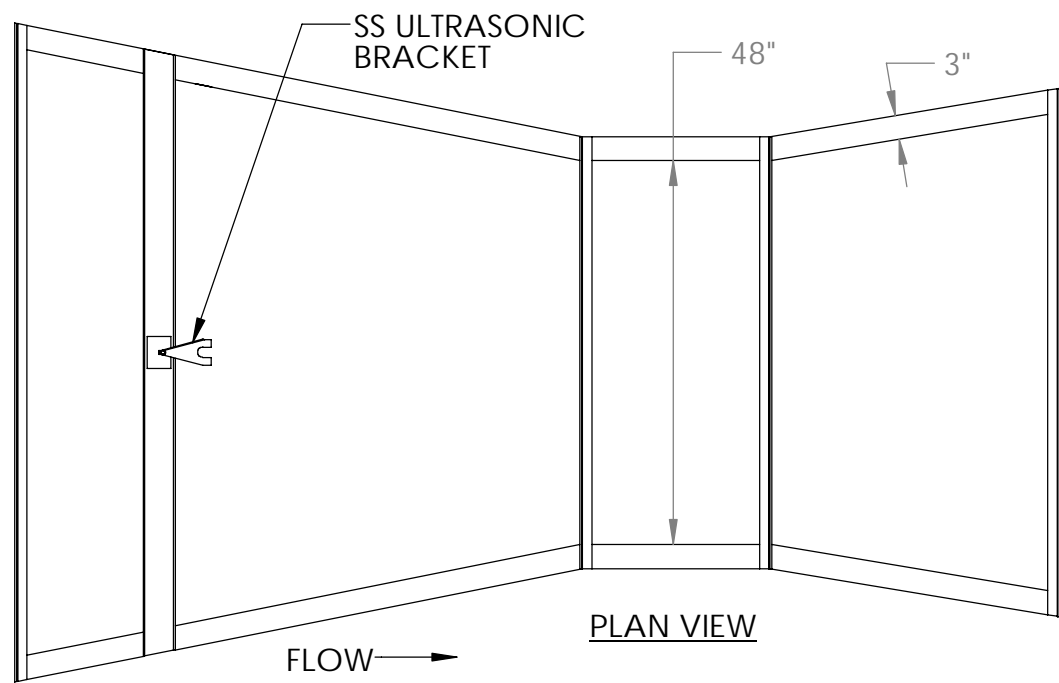
10478 Ridge Rd.,
 Medina NY 14103
 Toll Free: 888-290-9522
 Phone: 585-735-9668


TITLE:
 48 INCH PARSHALL FLUME

Project:
 WITHOUT OPTIONS

SIZE B	DWG. NO.	REV A
------------------	----------	----------

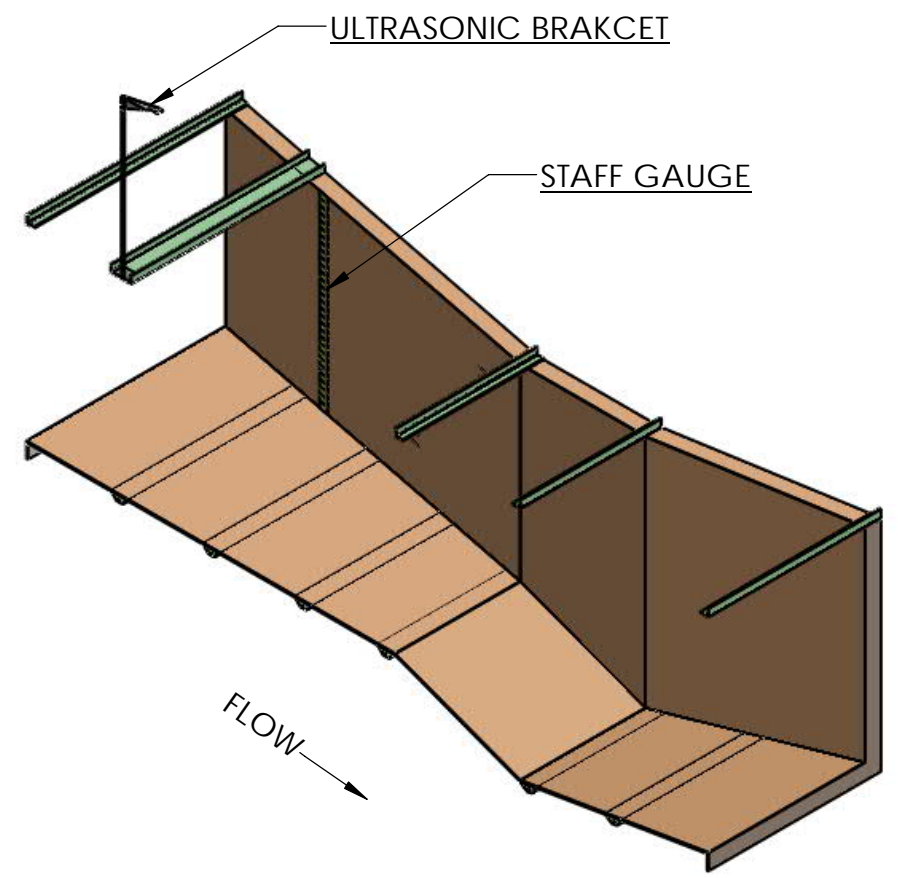
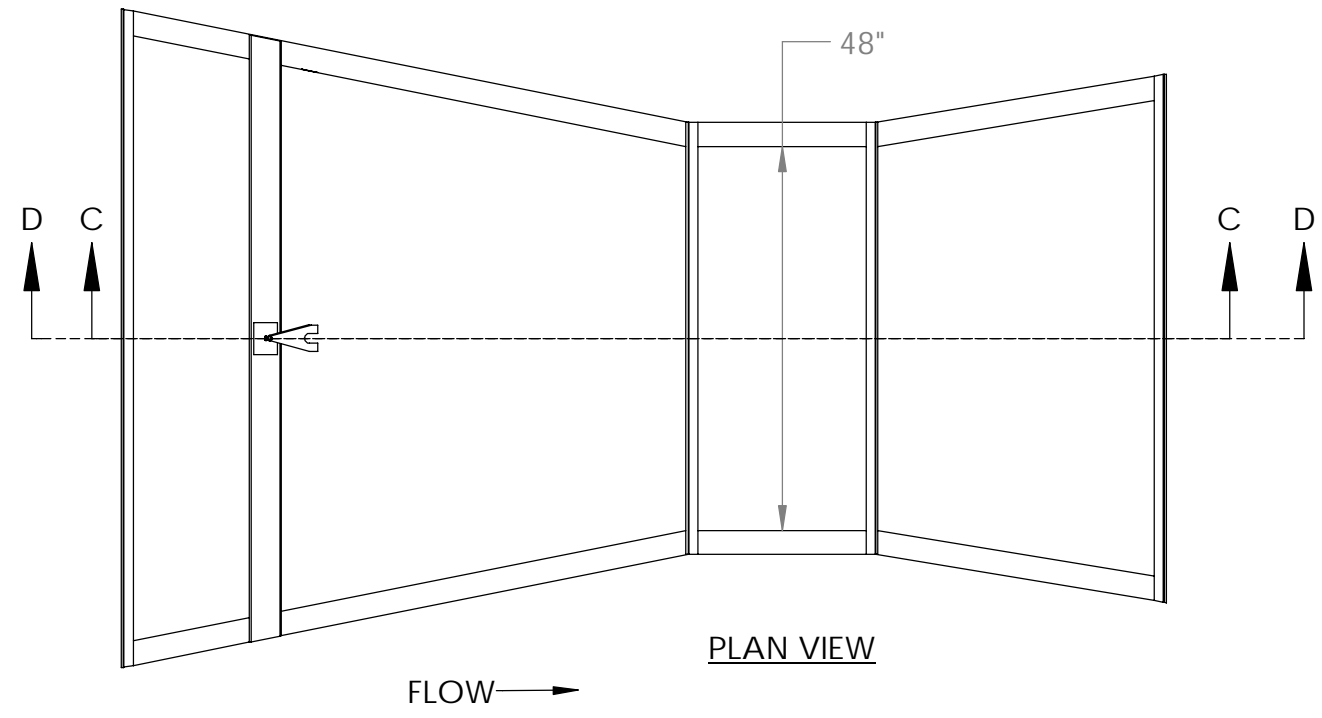
SCALE: 1:20 Weight 233.23 SHEET 3 OF 5



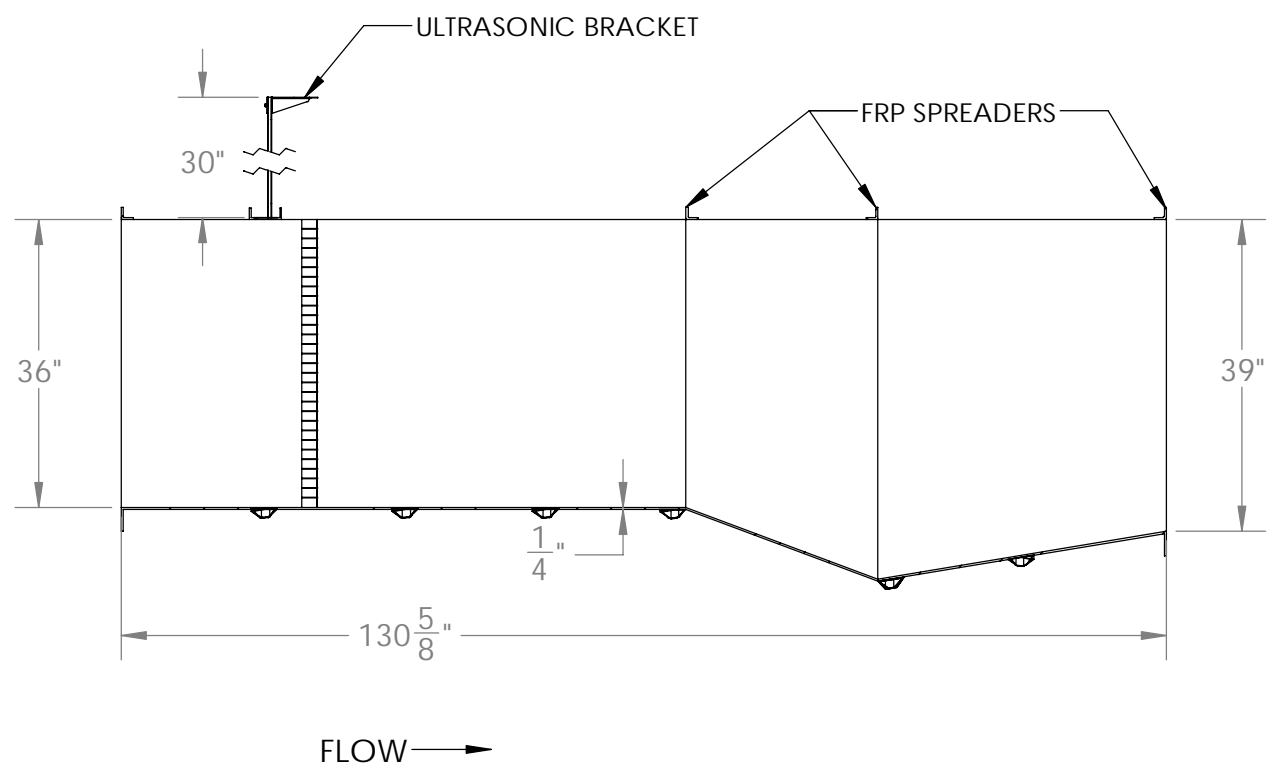
UNLESS OTHERWISE SPECIFIED:		NAME	DATE	 VPC 10478 Ridge Rd., Medina NY 14103 Toll Free: 888-290-9522 Phone: 585-735-9668
DIMENSIONS ARE IN INCHES TOLERANCES: FRACTIONAL ± ANGULAR: MACH ± BEND ± TWO PLACE DECIMAL ± THREE PLACE DECIMAL ±		DRAWN	LVR 8/6/2020	
INTERPRET GEOMETRIC TOLERANCING PER:		CHECKED		TITLE:
MATERIAL POLYESTER RESIN FINISH		ENG APPR.		48 INCH PARSHALL FLUME
DO NOT SCALE DRAWING		MFG APPR.		Project:
3rd ANGLE PROJECTION		Q.A.		WITH OPTIONS
		COMMENTS:		SIZE DWG. NO. REV
				B A
				SCALE: 1:24 Weight 237.46 SHEET 4 OF 5

PROPRIETARY AND CONFIDENTIAL
 THE INFORMATION CONTAINED IN THIS DRAWING IS THE SOLE PROPERTY OF Virtual Polymer Compounds, LLC. ANY REPRODUCTION IN PART OR AS A WHOLE WITHOUT THE WRITTEN PERMISSION OF Virtual Polymer Compounds, LLC IS PROHIBITED.

8 7 6 5 4 3 2 1




SECTION D-D
SCALE 1 : 26



SECTION C-C

PROPRIETARY AND CONFIDENTIAL
THE INFORMATION CONTAINED IN THIS DRAWING IS THE SOLE PROPERTY OF Virtual Polymer Compounds, LLC. ANY REPRODUCTION IN PART OR AS A WHOLE WITHOUT THE WRITTEN PERMISSION OF Virtual Polymer Compounds, LLC IS PROHIBITED.

UNLESS OTHERWISE SPECIFIED:		NAME	DATE	 VPC 10478 Ridge Rd., Medina NY 14103 Toll Free: 888-290-9522 Phone: 585-735-9668
DIMENSIONS ARE IN INCHES TOLERANCES: FRACTIONAL ± ANGULAR: MACH ± BEND ± TWO PLACE DECIMAL ± THREE PLACE DECIMAL ±		DRAWN	LVR 8/6/2020	
INTERPRET GEOMETRIC TOLERANCING PER:		CHECKED		TITLE: 48 INCH PARSHALL FLUME
MATERIAL POLYESTER RESIN FINISH		ENG APPR.		Project: WITH OPTIONS
DO NOT SCALE DRAWING		MFG APPR.		SIZE DWG. NO. REV B
3rd ANGLE PROJECTION		Q.A.		SCALE: 1:24 Weight 237.46 SHEET 5 OF 5
		COMMENTS:		

8 7 6 5 4 3 2 1