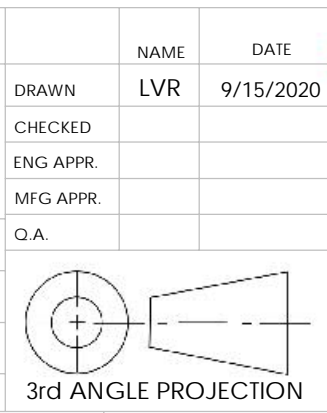


AVAILABLE OPTIONS:

- STAFF GAUGE (ENGLISH OR METRIC).
- STILLING WELL (INTEGRAL OR REMOTE).
- BUBBLER TUBE (SS 1/4" ID, INTEGRAL OR REMOVABLE).
- SAMPLER TUBE (SS 3/8" ID, INTEGRAL OR REMOVABLE).
- INLET AND OUTLET PIPE STUBS.
- FLARED INLET AND OUTLET TRANSITIONS PIPE STUBS.
- INLET AND OUTLET BULKHEADS.
- RUBBER PIPE COUPLERS W/ SS CLAMP BANDS.
- ADJUSTABLE SS ULTRASONIC BRACKET.
- PH PROBE CAVITY.
- ENERGY ABSORBING RACKS. (FIXED OR REMOVABLE).
- STANDARD OR SPECIAL DEPTHS (INCLUDING SURGE BOXES).
- FLUME COVERS (GRATING, FIBER SHEETING, CLEAR POLYCARBONATE).
- CUT BACK DESIGN.
- INSERT DESIGN.
- SPECIAL DESIGN (TO MEET SPECIAL PROJECT NEEDS).
- STANDARD COLOR IS BEIGE (CUSTOM COLORS AVAILABLE).

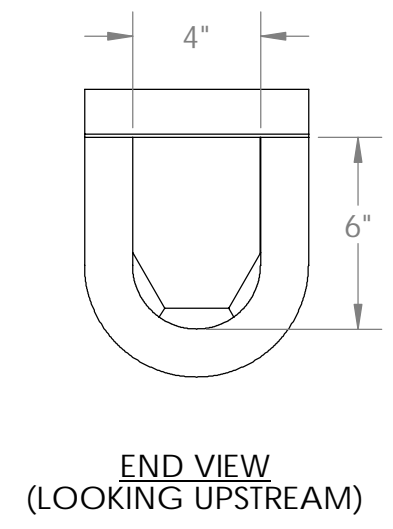
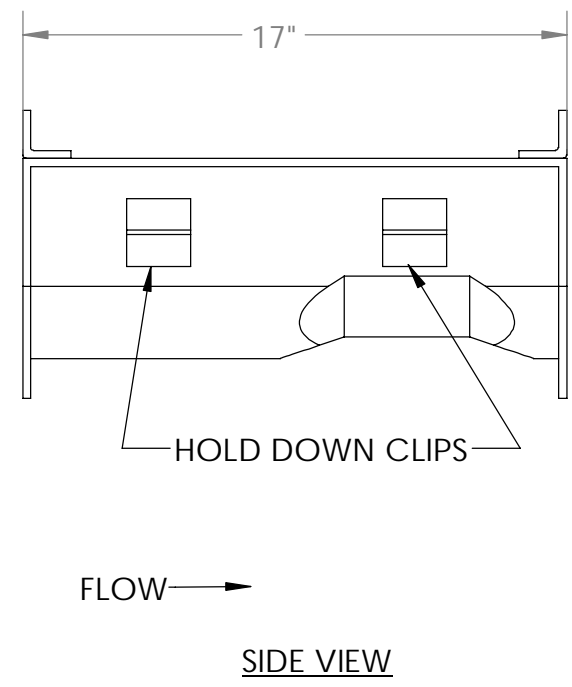
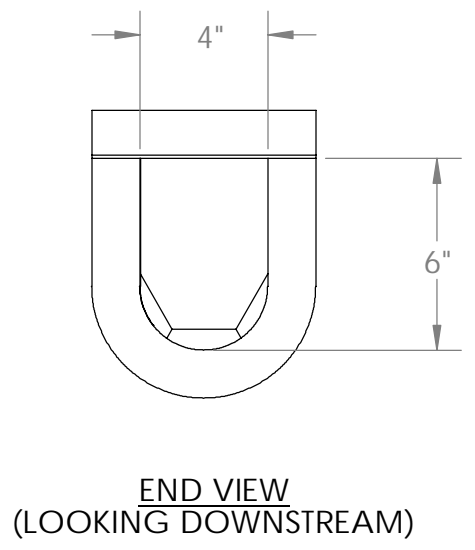
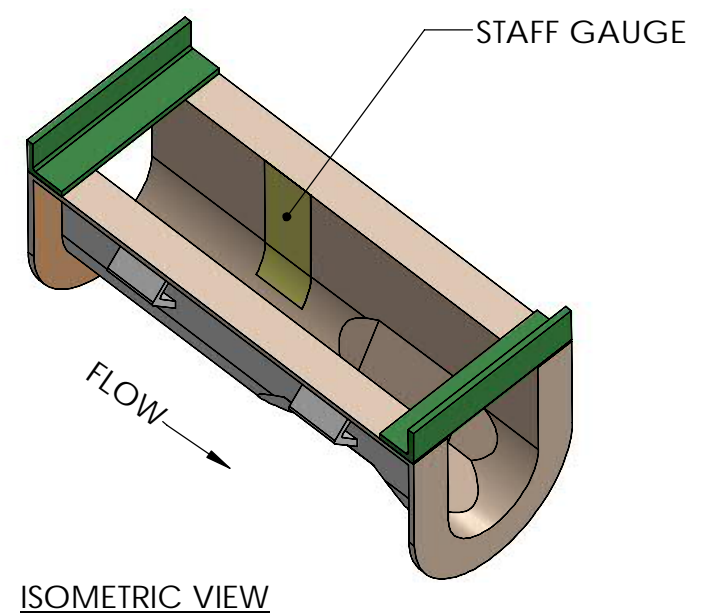
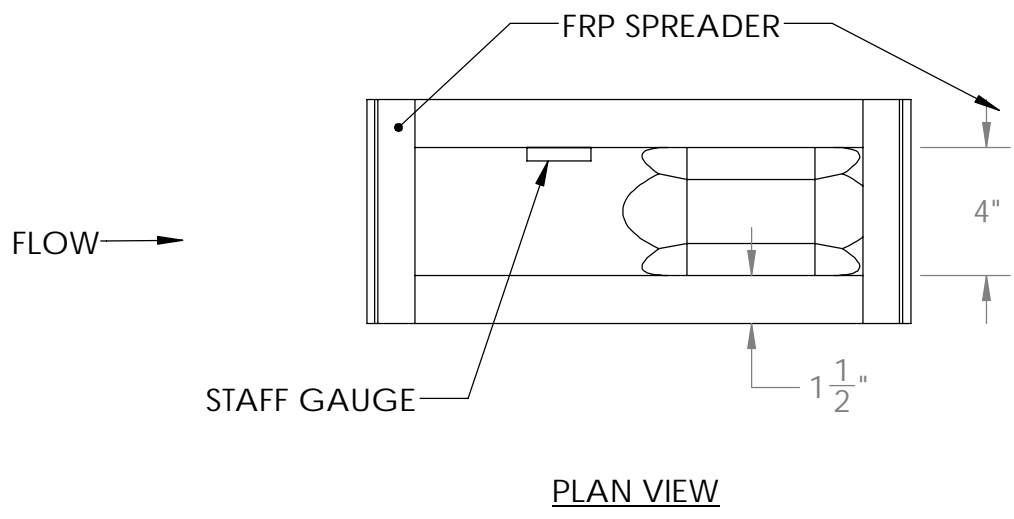
PROPRIETARY AND CONFIDENTIAL  
 THE INFORMATION CONTAINED IN THIS  
 DRAWING IS THE SOLE PROPERTY OF  
 VIRTUAL POLYMER COMPOUNDS, LLC. ANY  
 REPRODUCTION IN PART OR AS A WHOLE  
 WITHOUT THE WRITTEN PERMISSION OF  
 VIRTUAL POLYMER COMPOUNDS, LLC IS  
 PROHIBITED.

UNLESS OTHERWISE SPECIFIED:		NAME	DATE
DIMENSIONS ARE IN INCHES	DRAWN	LVR	9/15/2020
TOLERANCES:	CHECKED		
FRACTIONAL ±	ENG APPR.		
ANGULAR: MACH ± BEND ±	MFG APPR.		
TWO PLACE DECIMAL ±	Q.A.		
THREE PLACE DECIMAL ±			
INTERPRET GEOMETRIC TOLERANCING PER:			
MATERIAL			
POLYESTER RESIN			
FINISH			
DO NOT SCALE DRAWING			



**VPC** 10478 Ridge Rd.,  
 Medina NY 14103  
 Toll Free: 888-290-9522  
**FIBERGLASS** Phone: 585-735-9668

TITLE: 4 IN PALMER BOWLUS FLUME		
Project: WITH OPTIONS		
SIZE <b>B</b>	DWG. NO.	REV A
SCALE: 1:4	Weight 11.68	SHEET 1 OF 5



- NOTES:
- 1) INTERIOR GEL COAT COLOR TO BE BEIGE.
  - 2) EXTERIOR GEL COAT COLOR TO BE WHITE.
  - 3) NOMINAL MATERIAL THICKNESS = 1/4".

PROPRIETARY AND CONFIDENTIAL  
THE INFORMATION CONTAINED IN THIS DRAWING IS THE SOLE PROPERTY OF VIRTUAL POLYMER COMPOUNDS, LLC. ANY REPRODUCTION IN PART OR AS A WHOLE WITHOUT THE WRITTEN PERMISSION OF VIRTUAL POLYMER COMPOUNDS, LLC IS PROHIBITED.

UNLESS OTHERWISE SPECIFIED:  
DIMENSIONS ARE IN INCHES  
TOLERANCES:  
FRACTIONAL ±  
ANGULAR: MACH ± BEND ±  
TWO PLACE DECIMAL ±  
THREE PLACE DECIMAL ±

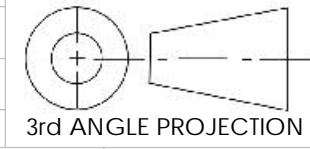
INTERPRET GEOMETRIC TOLERANCING PER:  
MATERIAL POLYESTER RESIN  
FINISH

DO NOT SCALE DRAWING

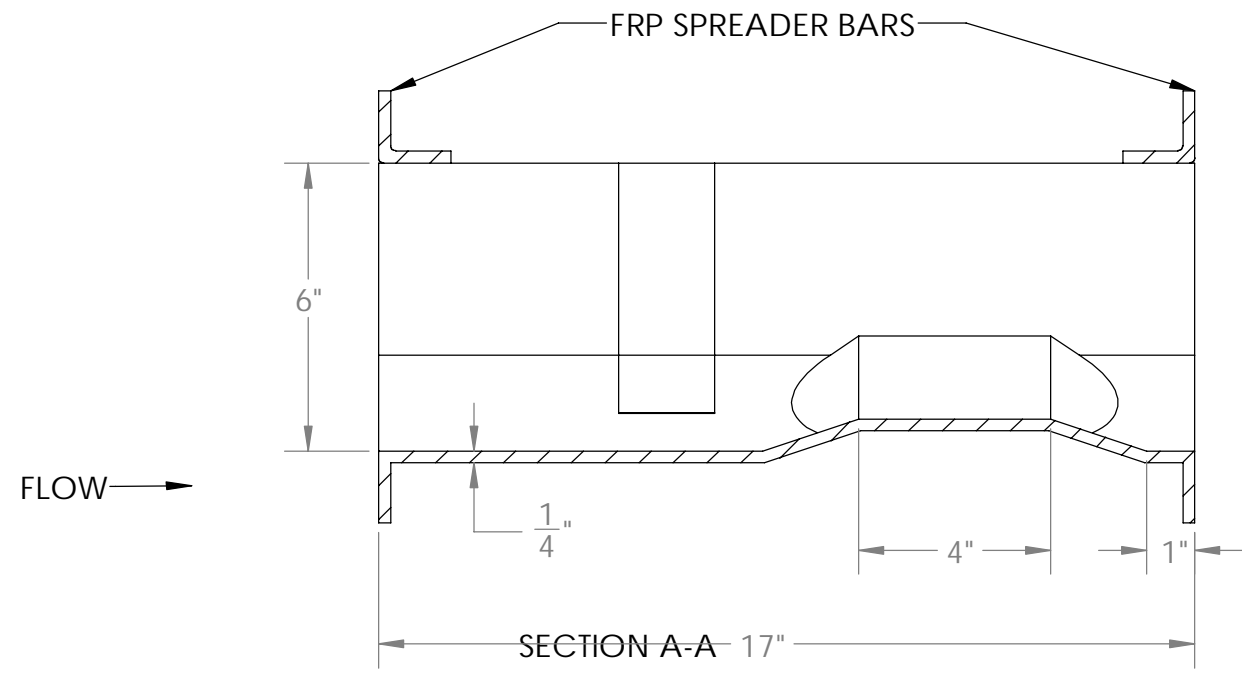
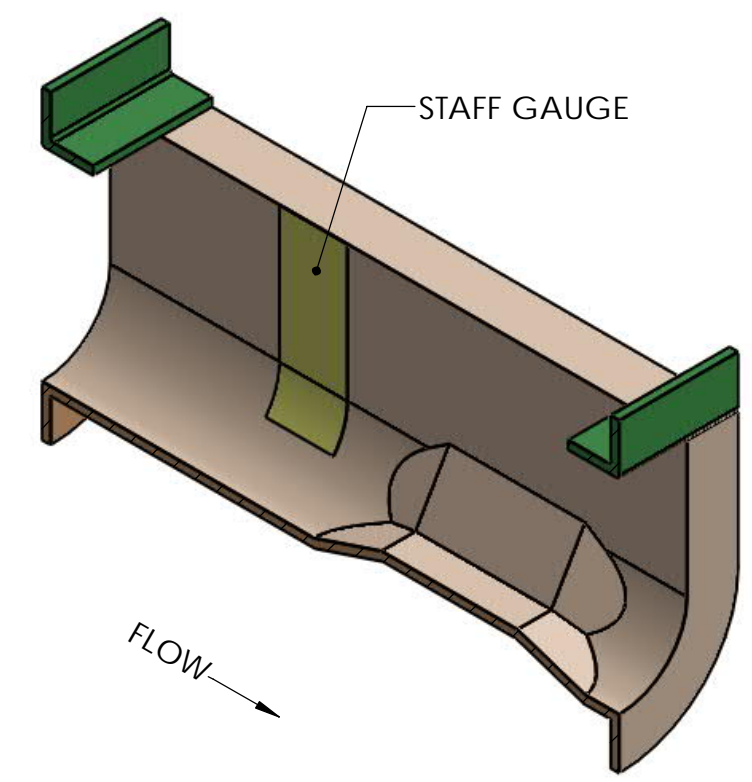
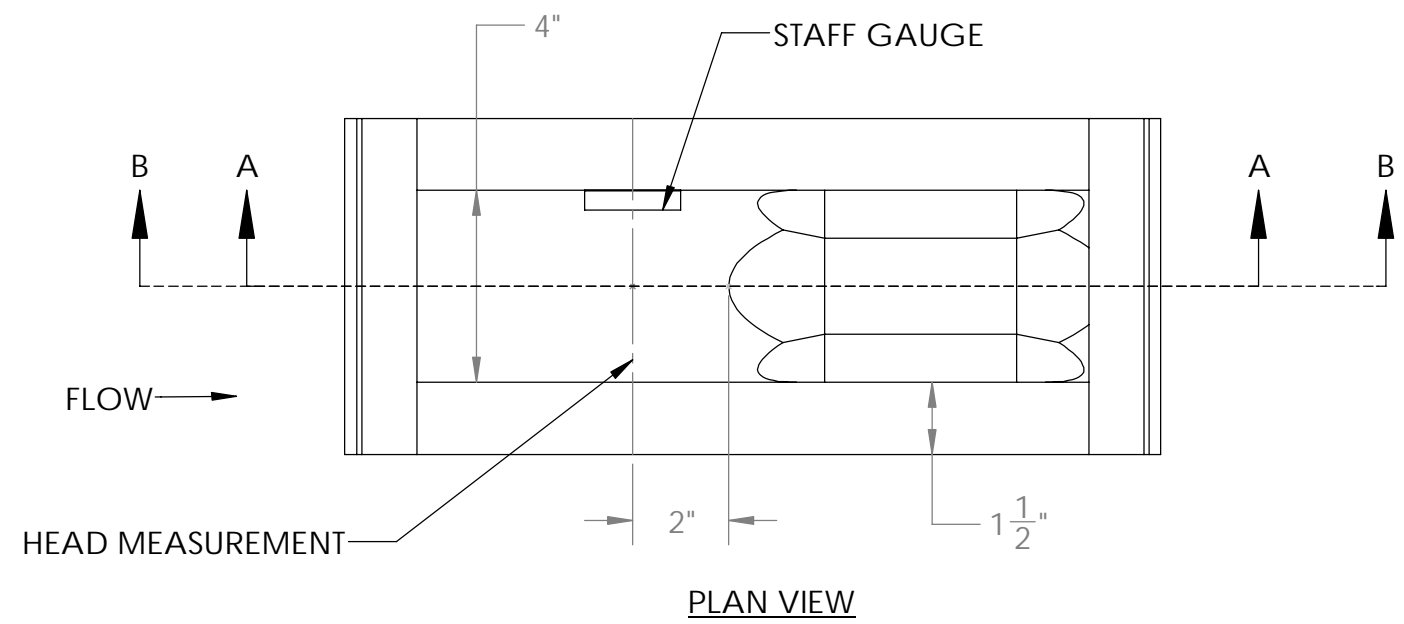
	NAME	DATE
DRAWN	LVR	9/15/2020
CHECKED		
ENG APPR.		
MFG APPR.		
Q.A.		

**VPC** 10478 Ridge Rd.,  
Medina NY 14103  
Toll Free: 888-290-9522  
Phone: 585-735-9668  
**FIBERGLASS**

TITLE: 4 IN PALMER BOWLUS FLUME		
Project: WITHOUT OPTIONS		
SIZE <b>B</b>	DWG. NO.	REV <b>A</b>
SCALE: 1:6	Weight 3.50	SHEET 2 OF 5



8 7 6 5 4 3 2 1



PROPRIETARY AND CONFIDENTIAL  
 THE INFORMATION CONTAINED IN THIS DRAWING IS THE SOLE PROPERTY OF Virtual Polymer Compounds, LLC. ANY REPRODUCTION IN PART OR AS A WHOLE WITHOUT THE WRITTEN PERMISSION OF Virtual Polymer Compounds, LLC IS PROHIBITED.

UNLESS OTHERWISE SPECIFIED:  
 DIMENSIONS ARE IN INCHES  
 TOLERANCES:  
 FRACTIONAL ±  
 ANGULAR: MACH ± BEND ±  
 TWO PLACE DECIMAL ±  
 THREE PLACE DECIMAL ±

INTERPRET GEOMETRIC TOLERANCING PER:  
 MATERIAL POLYESTER RESIN  
 FINISH

DO NOT SCALE DRAWING

NAME	DATE
DRAWN LVR	9/15/2020
CHECKED	
ENG APPR.	
MFG APPR.	
Q.A.	

COMMENTS:  

 3rd ANGLE PROJECTION

**VPC** 10478 Ridge Rd., Medina NY 14103  
 FIBERGLASS Toll Free: 888-290-9522 Phone: 585-735-9668

TITLE:  
 4 IN PALMER BOWLUS FLUME

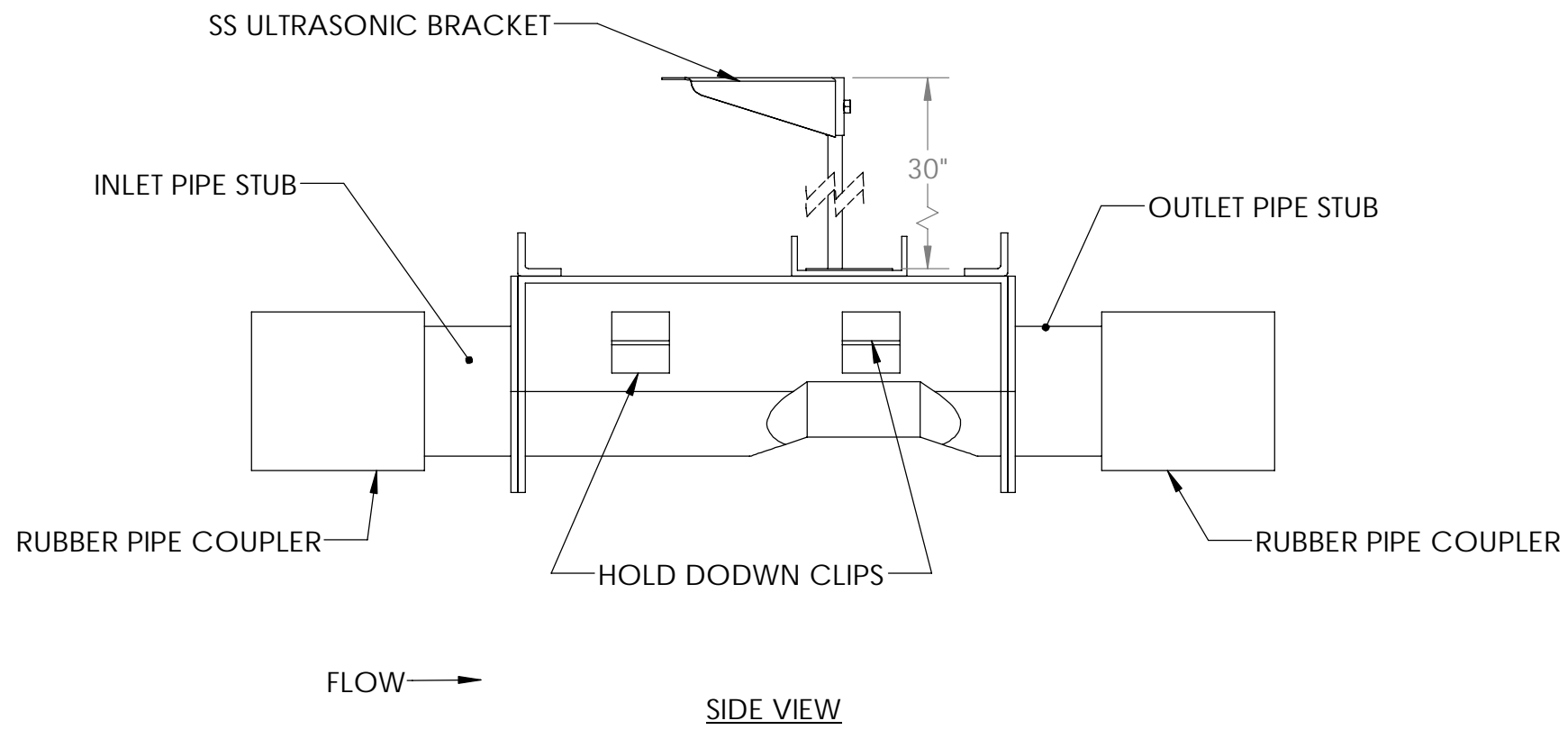
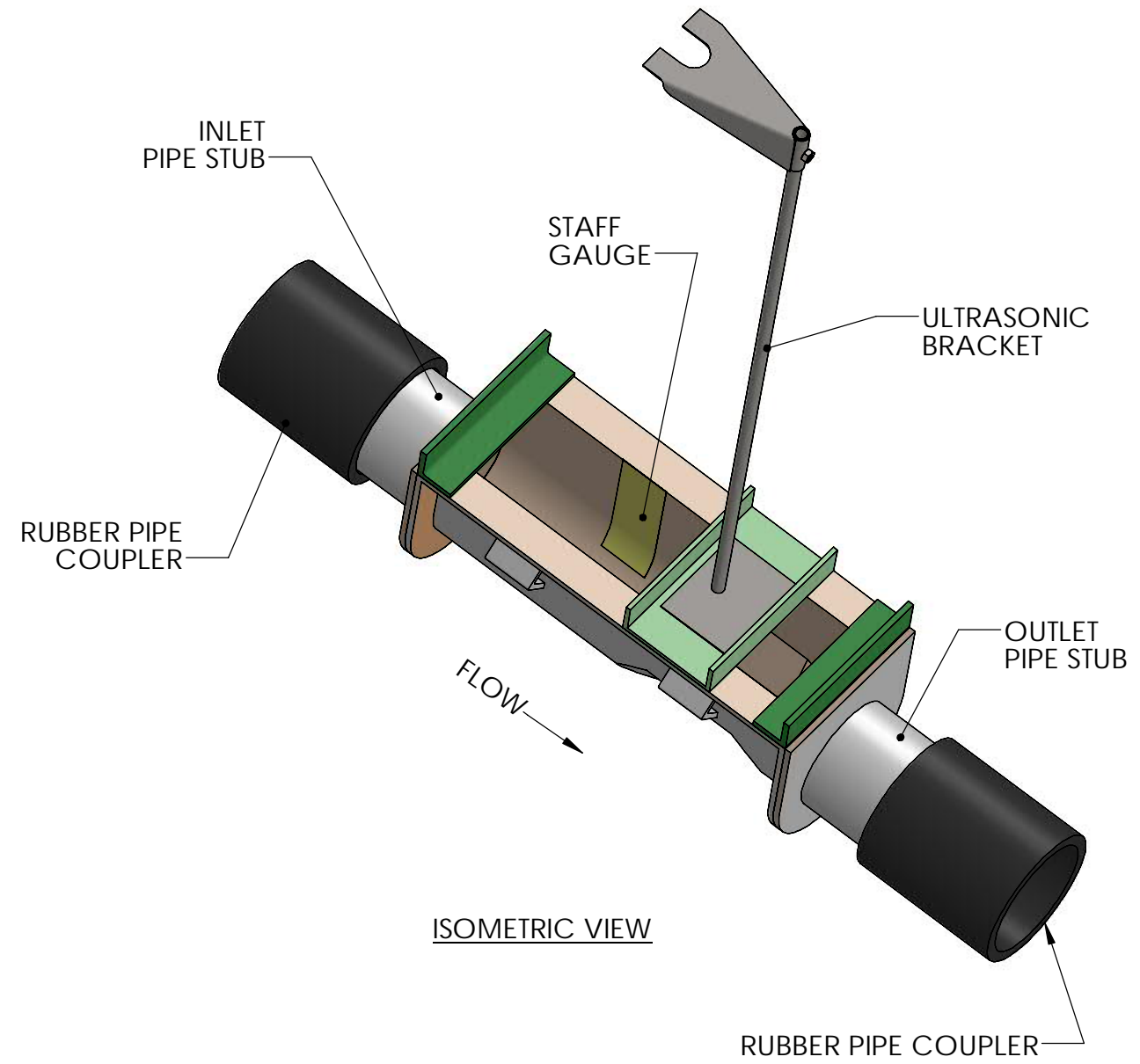
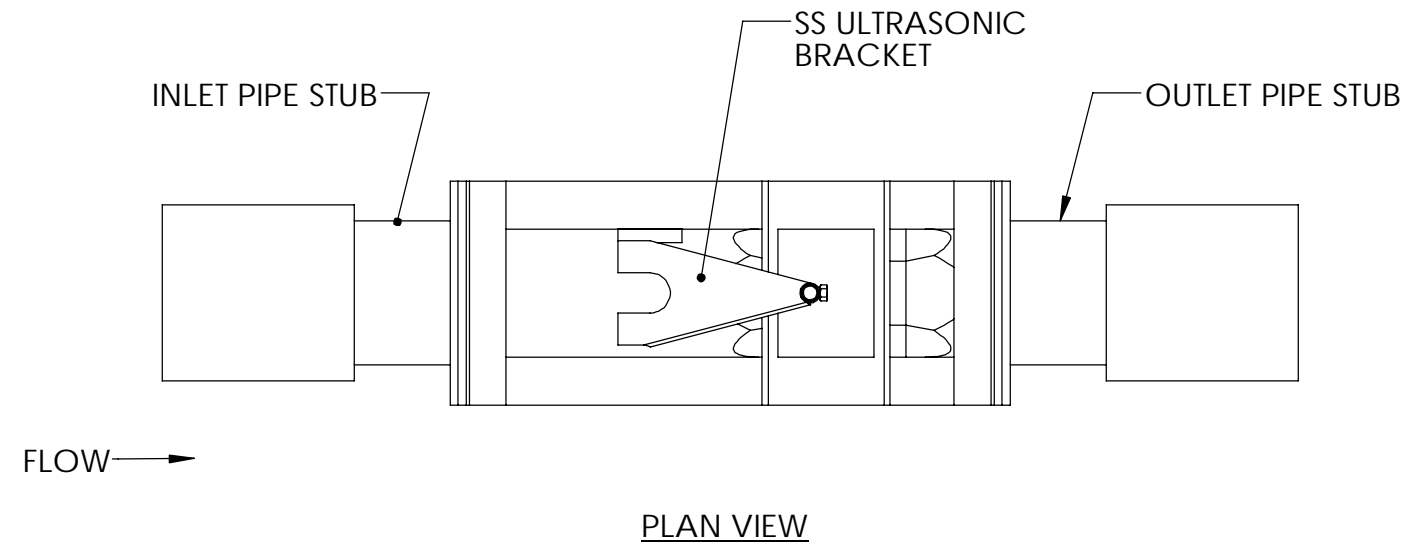
Project:  
 WITHOUT OPTIONS

SIZE <b>B</b>	DWG. NO.	REV A
------------------	----------	----------

SCALE: 1:4 Weight 3.50 SHEET 3 OF 5

8 7 6 5 4 3 2 1

8 7 6 5 4 3 2 1



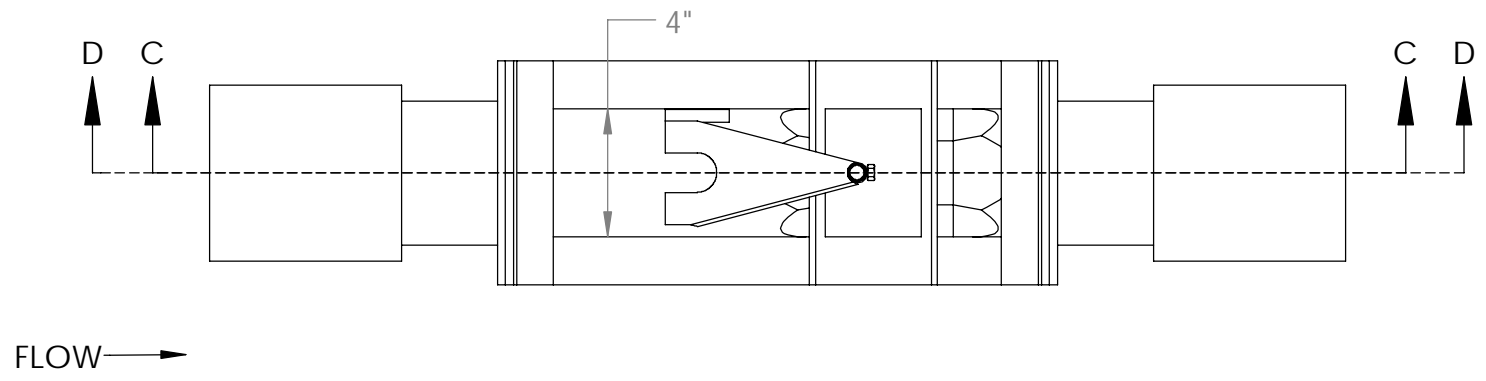
PROPRIETARY AND CONFIDENTIAL  
 THE INFORMATION CONTAINED IN THIS DRAWING IS THE SOLE PROPERTY OF Virtual Polymer Compounds, LLC. ANY REPRODUCTION IN PART OR AS A WHOLE WITHOUT THE WRITTEN PERMISSION OF Virtual Polymer Compounds, LLC IS PROHIBITED.

UNLESS OTHERWISE SPECIFIED:	NAME	DATE
DIMENSIONS ARE IN INCHES	DRAWN	LVR 9/15/2020
TOLERANCES:	CHECKED	
FRACTIONAL ±	ENG APPR.	
ANGULAR: MACH ± BEND ±	MFG APPR.	
TWO PLACE DECIMAL ±	Q.A.	
THREE PLACE DECIMAL ±	COMMENTS:	
INTERPRET GEOMETRIC TOLERANCING PER:		
MATERIAL	3rd ANGLE PROJECTION	
POLYESTER RESIN		
FINISH		
DO NOT SCALE DRAWING		

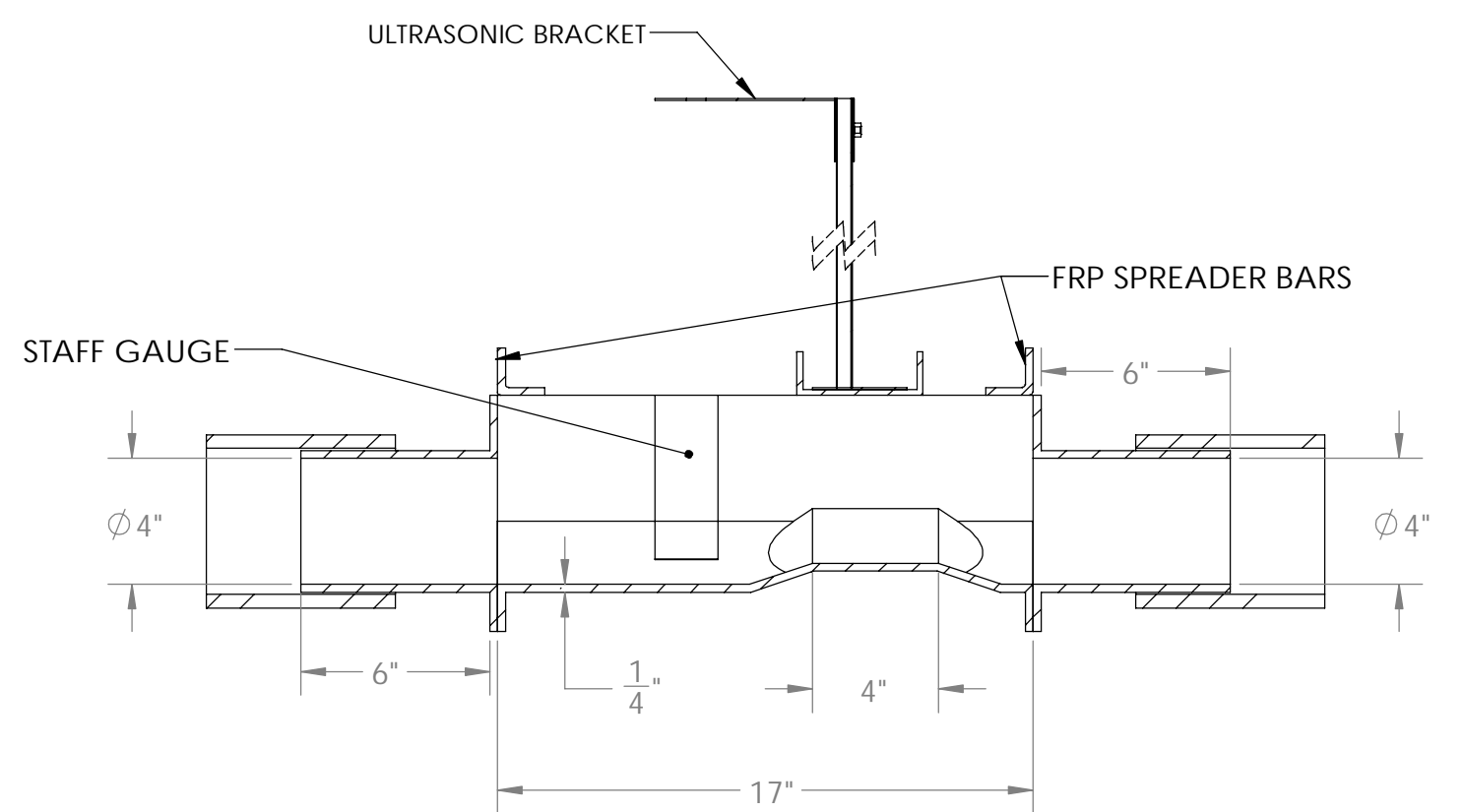
**VPC** 10478 Ridge Rd., Medina NY 14103  
 FIBERGLASS Toll Free: 888-290-9522 Phone: 585-735-9668

TITLE: 4 IN PALMER BOWLUS FLUME		
Project: WITH OPTIONS		
SIZE <b>B</b>	DWG. NO.	REV A
SCALE: 1:6	Weight 11.68	SHEET 4 OF 5

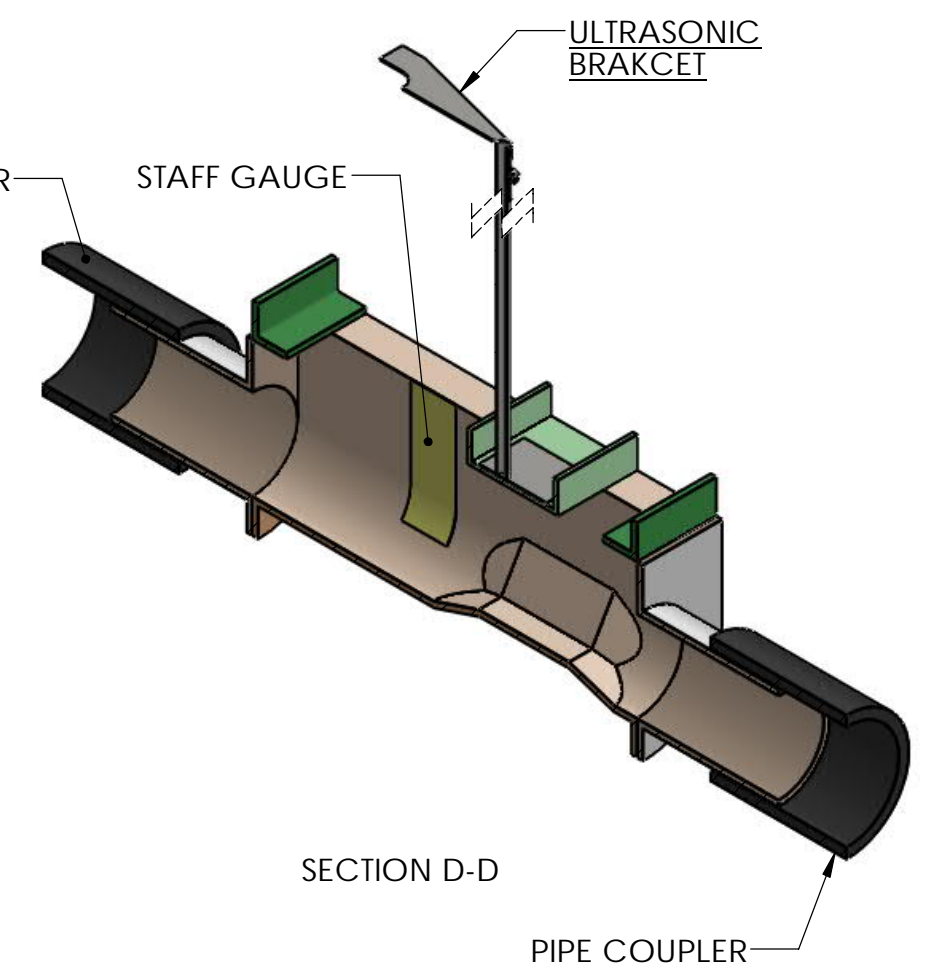
8 7 6 5 4 3 2 1



PLAN VIEW



SECTION C-C



SECTION D-D

PROPRIETARY AND CONFIDENTIAL  
 THE INFORMATION CONTAINED IN THIS DRAWING IS THE SOLE PROPERTY OF Virtual Polymer Compounds, LLC. ANY REPRODUCTION IN PART OR AS A WHOLE WITHOUT THE WRITTEN PERMISSION OF Virtual Polymer Compounds, LLC IS PROHIBITED.

UNLESS OTHERWISE SPECIFIED:

DIMENSIONS ARE IN INCHES  
 TOLERANCES:  
 FRACTIONAL ±  
 ANGULAR: MACH ± BEND ±  
 TWO PLACE DECIMAL ±  
 THREE PLACE DECIMAL ±

INTERPRET GEOMETRIC TOLERANCING PER:

MATERIAL  
 POLYESTER RESIN  
 FINISH

DO NOT SCALE DRAWING

	NAME	DATE
DRAWN	LVR	9/15/2020
CHECKED		
ENG APPR.		
MFG APPR.		
Q.A.		
COMMENTS:		

**VPC** 10478 Ridge Rd., Medina NY 14103  
 FIBERGLASS Toll Free: 888-290-9522 Phone: 585-735-9668

TITLE:  
 4 IN PALMER BOWLUS FLUME

Project:  
 WITH OPTIONS

SIZE <b>B</b>	DWG. NO.	REV A
------------------	----------	----------

SCALE: 1:6 Weight 11.68 SHEET 5 OF 5