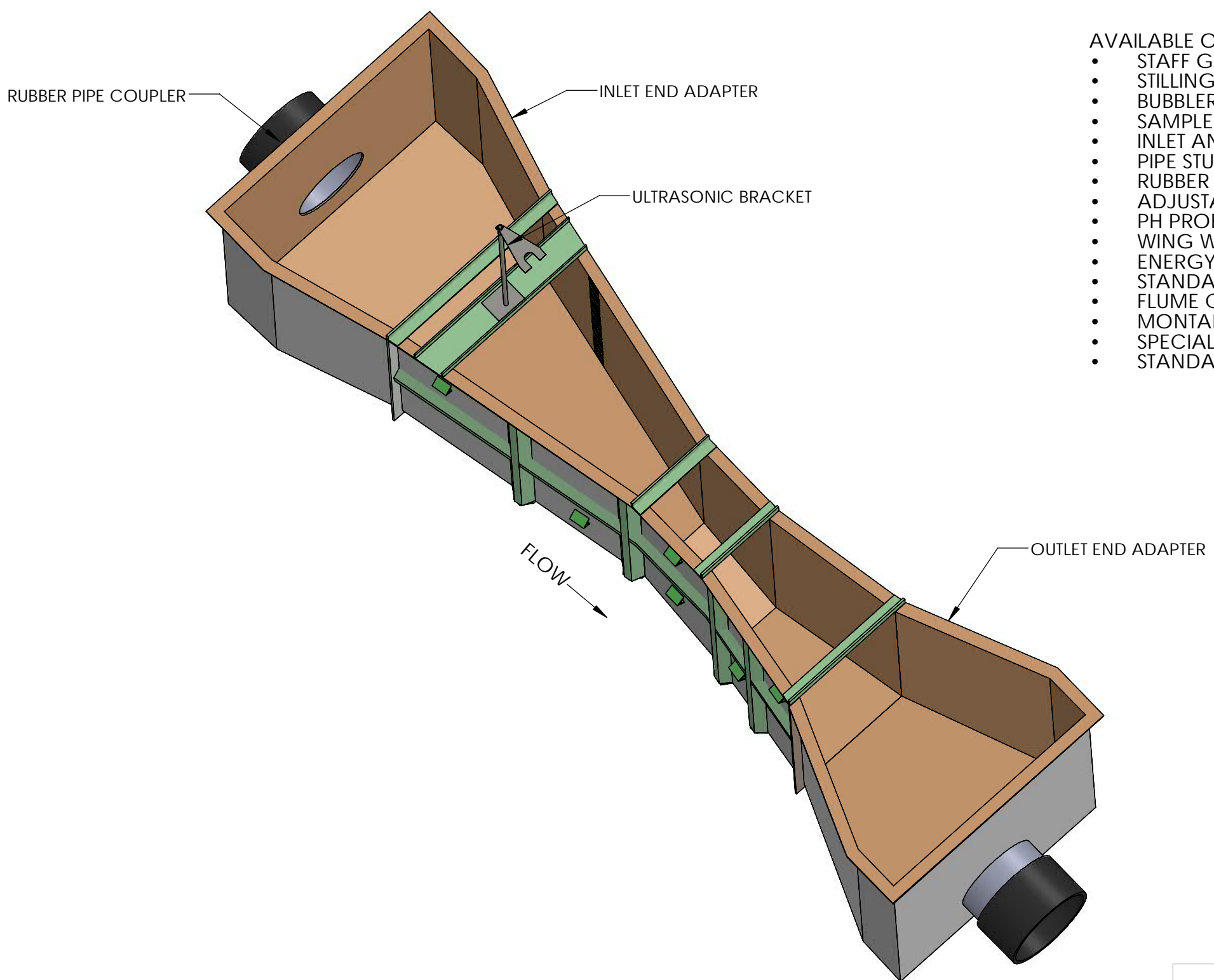


8 7 6 5 4 3 2 1

D  
C  
B  
A




AVAILABLE OPTIONS:

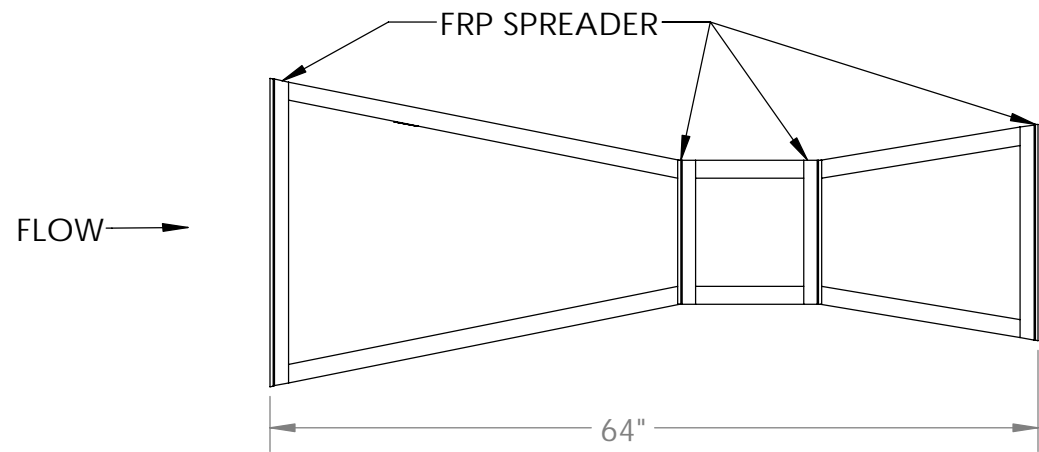
- STAFF GAUGE (ENGLISH OR METRIC).
- STILLING WELL (INTEGRAL OR REMOTE).
- BUBBLER TUBE (SS 1/4" ID, INTEGRAL OR REMOVABLE).
- SAMPLER TUBE (SS 3/8" ID, INTEGRAL OR REMOVABLE).
- INLET AND OUTLET END ADAPTERS.
- PIPE STUBS.
- RUBBER PIPE COUPLERS W/ SS CLAMP BANDS.
- ADJUSTABLE SS ULTRASONIC BRACKET.
- PH PROBE CAVITY.
- WING WALLS AND BULK HEADS.
- ENERGY ABSORBING RACKS. (FIXED OR REMOVABLE).
- STANDARD OR SPECIAL DEPTHS (INCLUDING SURGE BOXES).
- FLUME COVERS (GRATING, FIBER SHEETING, CLEAR POLYCARBONATE).
- MONTANA CUT DESIGN.
- SPECIAL DESIGN (TO MEET SPECIAL PROJECT NEEDS).
- STANDARD COLOR IS BEIGE (CUSTOM COLORS AVAILABLE).

D  
C  
B  
A

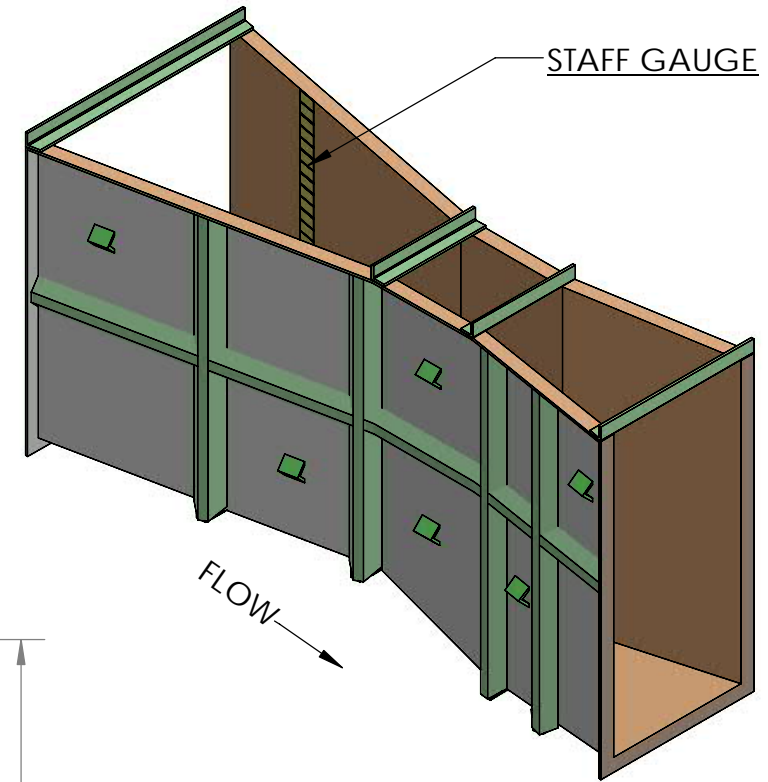
PROPRIETARY AND CONFIDENTIAL  
THE INFORMATION CONTAINED IN THIS  
DRAWING IS THE SOLE PROPERTY OF  
VIRTUAL POLYMER COMPOUNDS, LLC. ANY  
REPRODUCTION IN PART OR AS A WHOLE  
WITHOUT THE WRITTEN PERMISSION OF  
VIRTUAL POLYMER COMPOUNDS, LLC IS  
PROHIBITED.

UNLESS OTHERWISE SPECIFIED:		NAME	DATE	 <b>VPC</b> FIBERGLASS 10478 Ridge Rd., Medina NY 14103 Toll Free: 888-290-9522 Phone: 585-735-9668	
DIMENSIONS ARE IN INCHES		DRAWN	LVR		8/6/2020
TOLERANCES:		CHECKED			
FRACTIONAL ±		ENG APPR.			
ANGULAR: MACH ± BEND ±		MFG APPR.			
TWO PLACE DECIMAL ±		Q.A.			
THREE PLACE DECIMAL ±				TITLE: 9 INCH PARSHALL FLUME	
INTERPRET GEOMETRIC TOLERANCING PER:				Project: WITH OPTIONS	
MATERIAL POLYESTER RESIN				SIZE DWG. NO. REV	
FINISH				<b>B</b> <b>A</b>	
DO NOT SCALE DRAWING		3rd ANGLE PROJECTION		SCALE: 1:14 Weight 172.75 SHEET 1 OF 5	

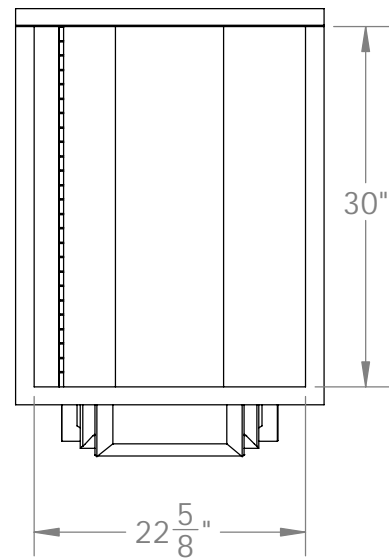
8 7 6 5 4 3 2 1



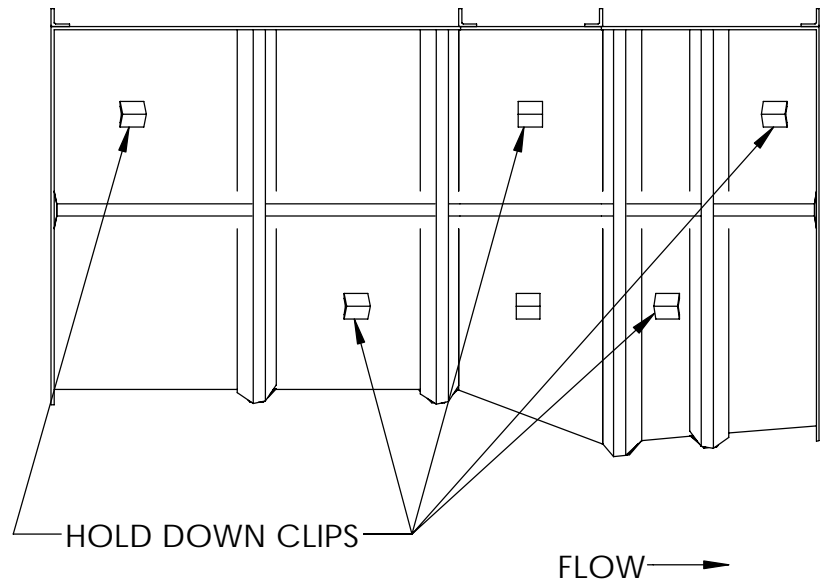
PLAN VIEW



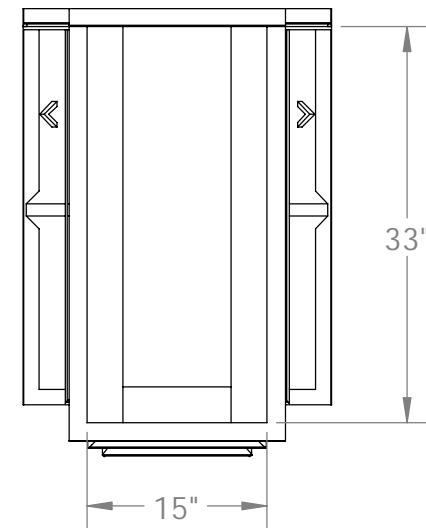
ISOMETRIC VIEW



END VIEW  
(LOOKING DOWNSTREAM)



SIDE VIEW

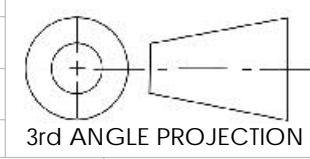


END VIEW  
(LOOKING UPSTREAM)

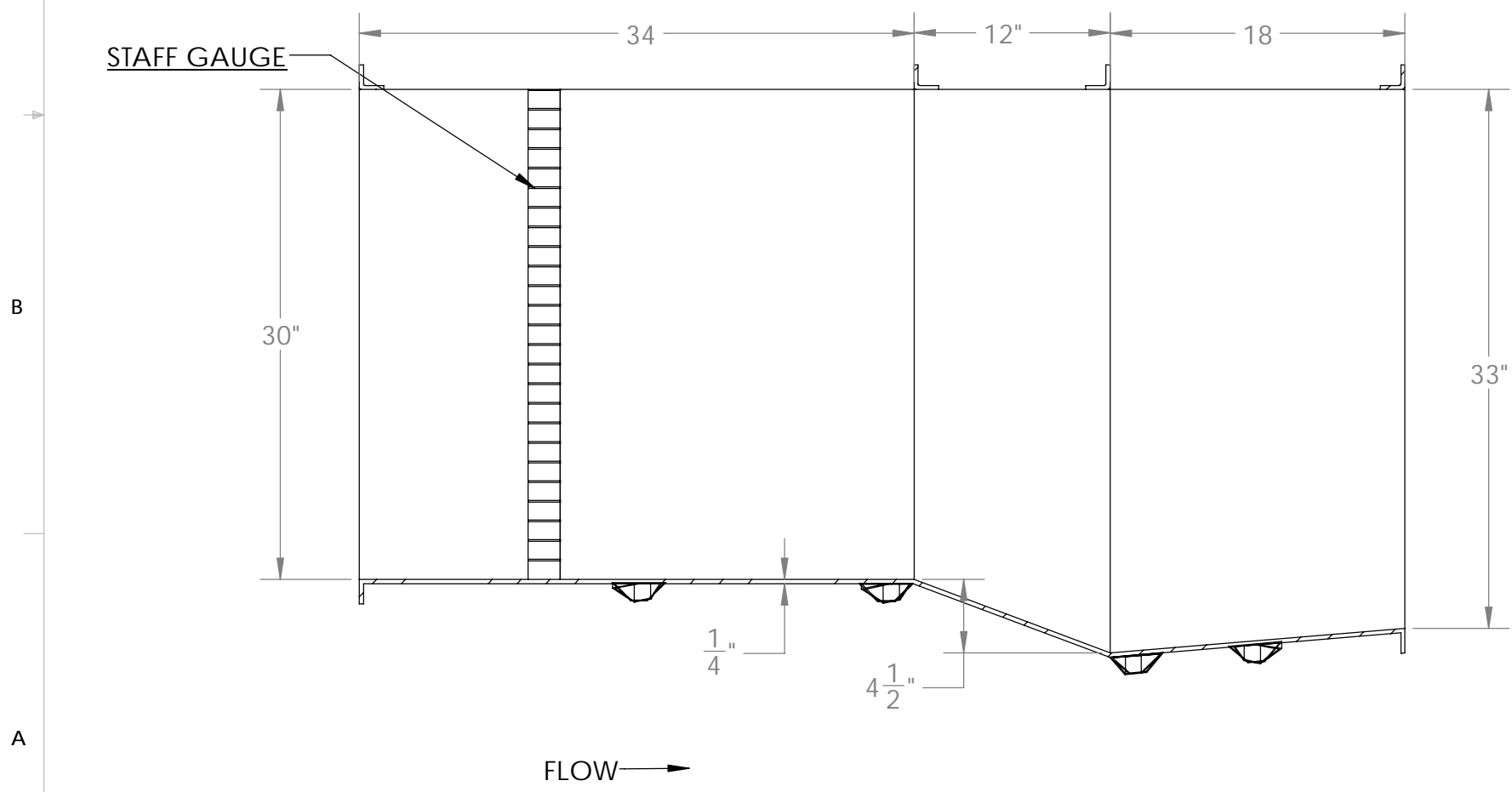
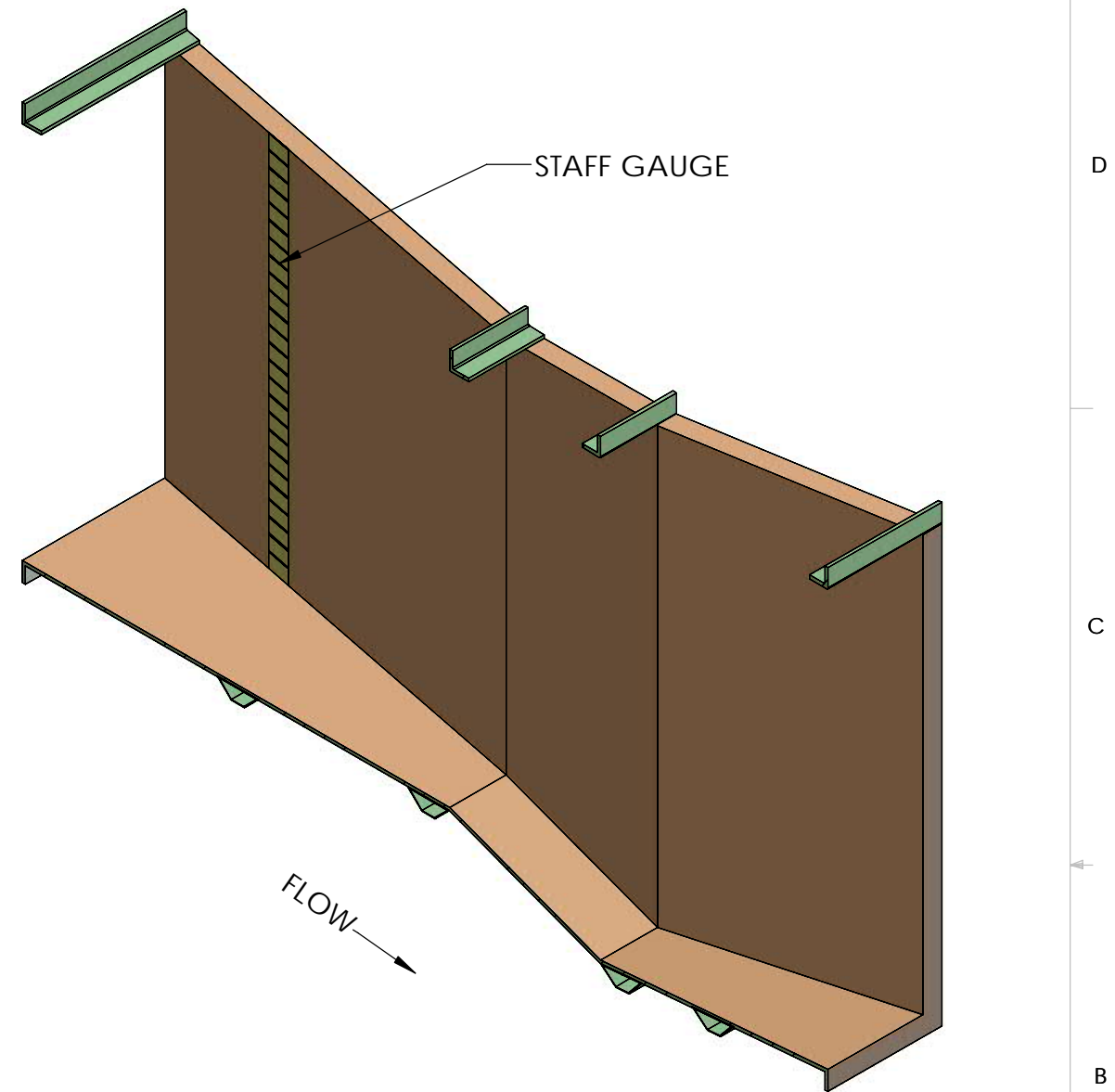
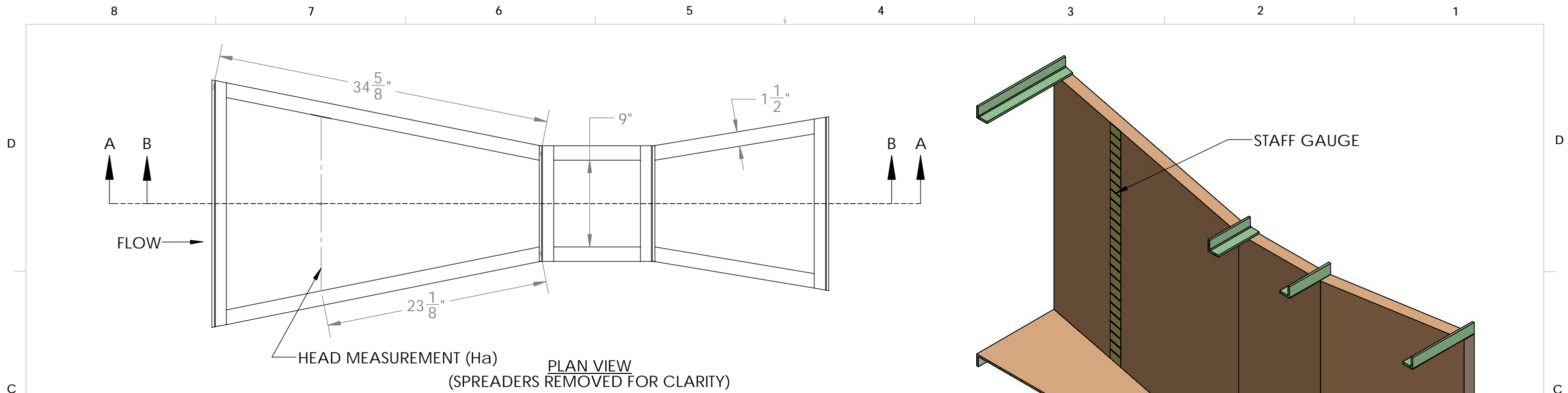
- NOTES:  
 1) INTERIOR GEL COAT COLOR TO BE BEIGE.  
 2) EXTERIOR GEL COAT COLOR TO BE WHITE.  
 3) NOMINAL MATERIAL THICKNESS = 1/4".

PROPRIETARY AND CONFIDENTIAL  
 THE INFORMATION CONTAINED IN THIS DRAWING IS THE SOLE PROPERTY OF VIRTUAL POLYMER COMPOUNDS, LLC. ANY REPRODUCTION IN PART OR AS A WHOLE WITHOUT THE WRITTEN PERMISSION OF VIRTUAL POLYMER COMPOUNDS, LLC IS PROHIBITED.


UNLESS OTHERWISE SPECIFIED:	NAME	DATE
DIMENSIONS ARE IN INCHES	DRAWN	LVR 8/6/2020
TOLERANCES:	CHECKED	
FRACTIONAL ±	ENG APPR.	
ANGULAR: MACH ± BEND ±	MFG APPR.	
TWO PLACE DECIMAL ±	Q.A.	
THREE PLACE DECIMAL ±		
INTERPRET GEOMETRIC TOLERANCING PER:		
MATERIAL POLYESTER RESIN		
FINISH		
DO NOT SCALE DRAWING		

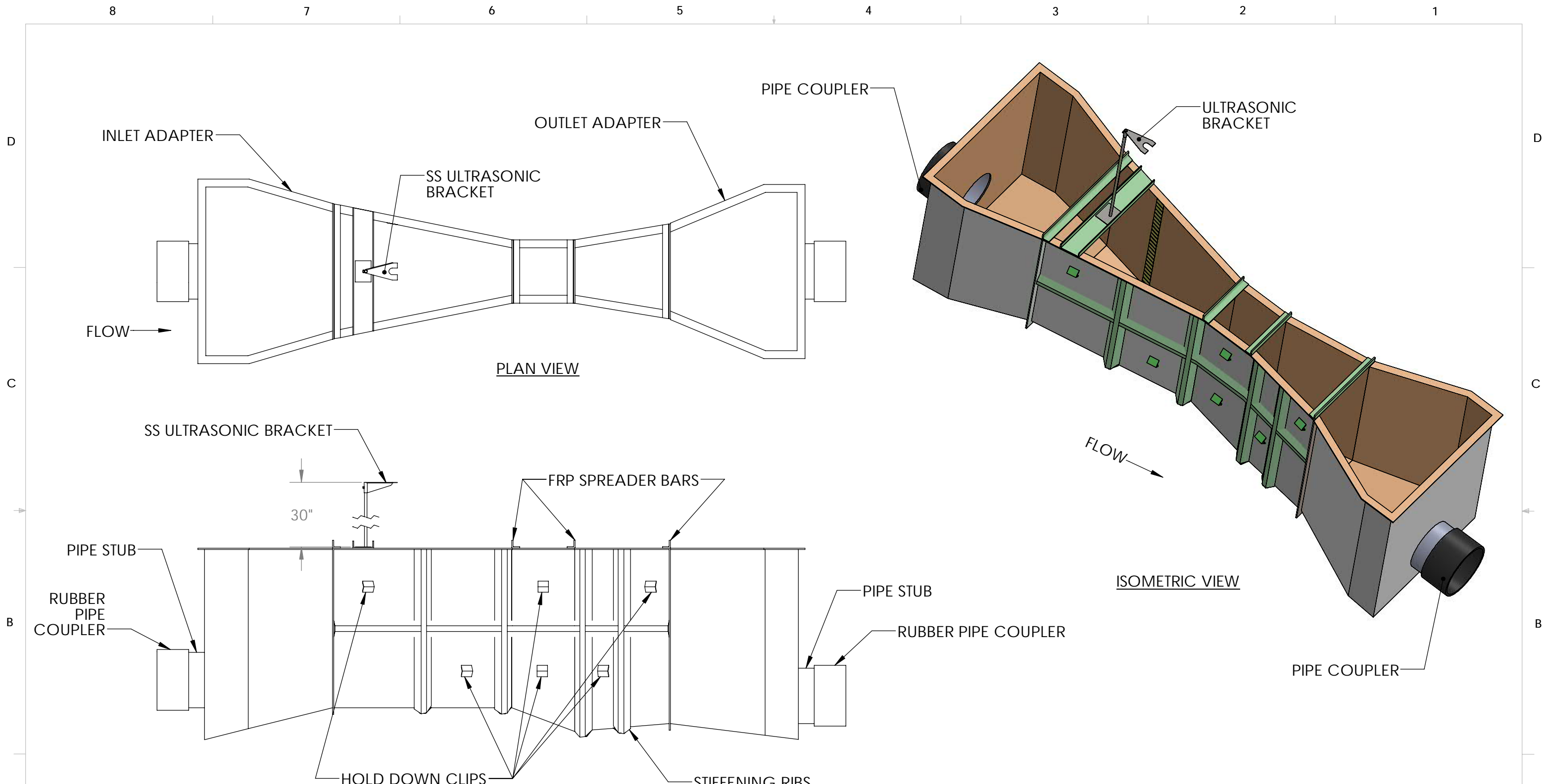



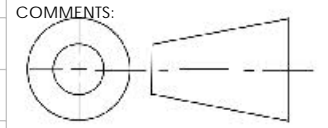
		10478 Ridge Rd., Medina NY 14103 Toll Free: 888-290-9522 Phone: 585-735-9668
TITLE: 9 INCH PARSHALL FLUME		
Project: WITHOUT OPTIONS		
SIZE B	DWG. NO.	REV A
SCALE: 1:16	Weight 67.04	SHEET 2 OF 5



PROPRIETARY AND CONFIDENTIAL  
THE INFORMATION CONTAINED IN THIS DRAWING IS THE SOLE PROPERTY OF Virtual Polymer Compounds, LLC. ANY REPRODUCTION IN PART OR AS A WHOLE WITHOUT THE WRITTEN PERMISSION OF Virtual Polymer Compounds, LLC IS PROHIBITED.

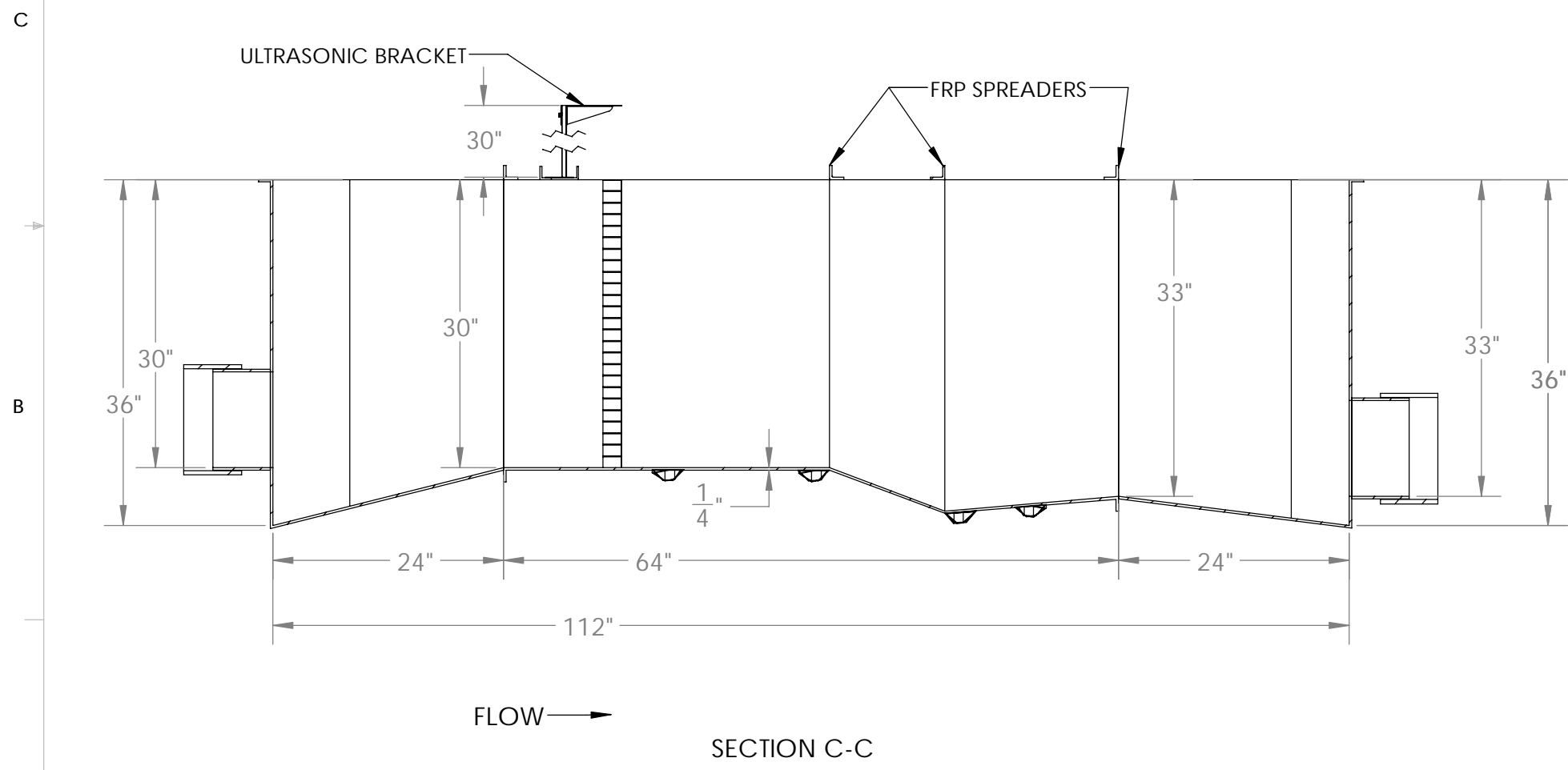
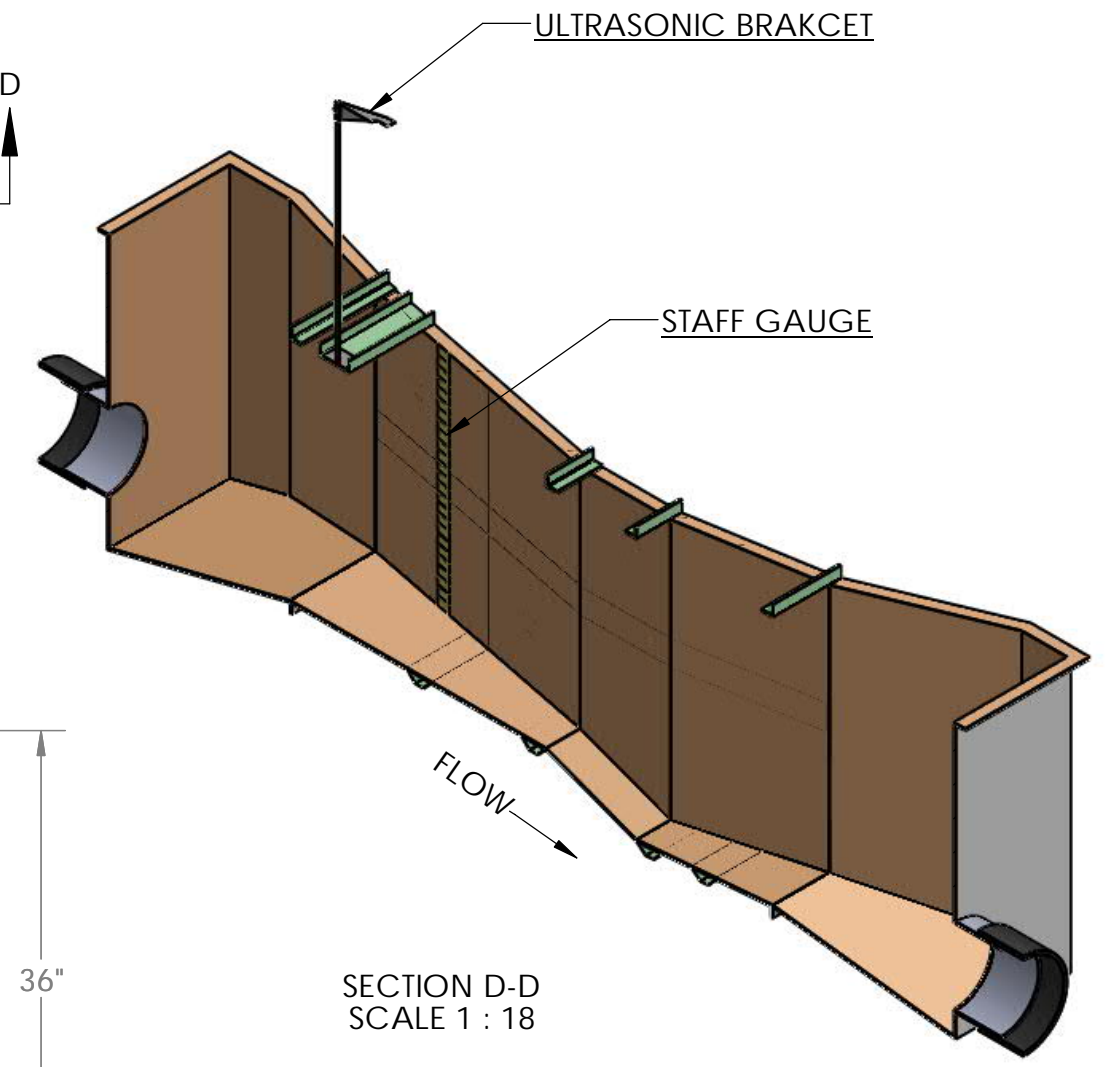
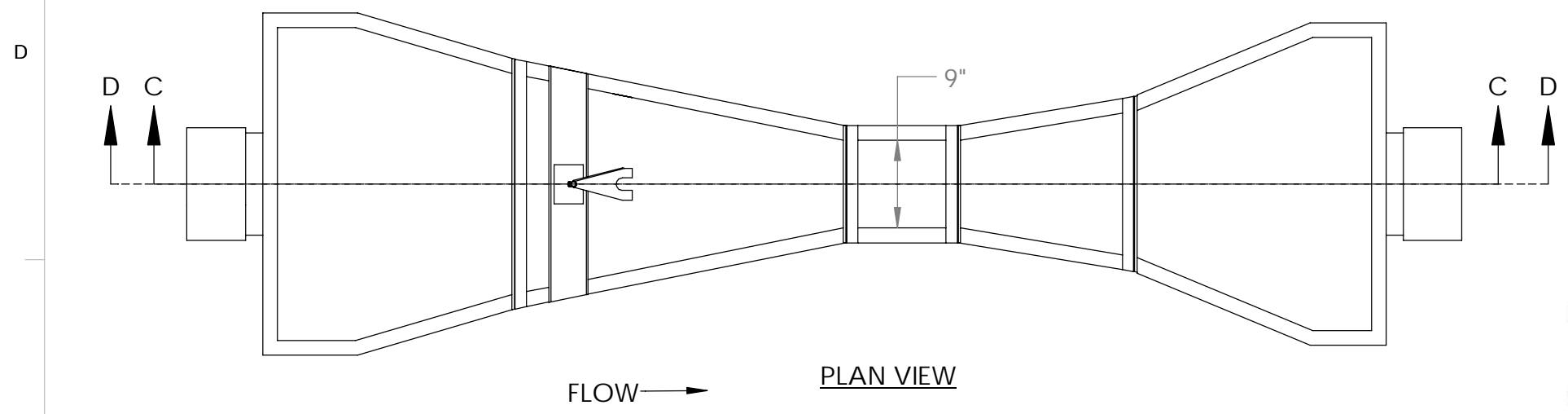
UNLESS OTHERWISE SPECIFIED:		NAME	DATE	 <b>VPC</b> 10478 Ridge Rd., Medina NY 14103 Toll Free: 888-290-9522 Phone: 585-735-9668
DIMENSIONS ARE IN INCHES TOLERANCES: FRACTIONAL ± ANGULAR: MACH ± BEND ± TWO PLACE DECIMAL ± THREE PLACE DECIMAL ±		DRAWN	LVR	
INTERPRET GEOMETRIC TOLERANCING PER:		CHECKED		TITLE:
MATERIAL POLYESTER RESIN FINISH		ENG APPR.		9 INCH PARSHALL FLUME
DO NOT SCALE DRAWING		MFG APPR.		Project:
3rd ANGLE PROJECTION		Q.A.		WITHOUT OPTIONS
		COMMENTS:		SIZE
				<b>B</b>
				DWG. NO.
				REV
				<b>A</b>
				SCALE: 1:10 Weight 67.04 SHEET 3 OF 5



UNLESS OTHERWISE SPECIFIED:		NAME	DATE	 <b>VPC</b> 10478 Ridge Rd., Medina NY 14103 Toll Free: 888-290-9522 Phone: 585-735-9668
DIMENSIONS ARE IN INCHES TOLERANCES: FRACTIONAL ± ANGULAR: MACH ± BEND ± TWO PLACE DECIMAL ± THREE PLACE DECIMAL ±		DRAWN	LVR 8/6/2020	
PROPRIETARY AND CONFIDENTIAL THE INFORMATION CONTAINED IN THIS DRAWING IS THE SOLE PROPERTY OF Virtual Polymer Compounds, LLC. ANY REPRODUCTION IN PART OR AS A WHOLE WITHOUT THE WRITTEN PERMISSION OF Virtual Polymer Compounds, LLC IS PROHIBITED.		CHECKED		TITLE:
		ENG APPR.		9 INCH PARSHALL FLUME
		MFG APPR.		Project:
INTERPRET GEOMETRIC TOLERANCING PER:		Q.A.		WITH OPTIONS
MATERIAL		COMMENTS:		SIZE
POLYESTER RESIN		 3rd ANGLE PROJECTION		DWG. NO.
FINISH				REV
DO NOT SCALE DRAWING				A
				SCALE: 1:18 Weight 172.75 SHEET 4 OF 5



8 7 6 5 4 3 2 1



PROPRIETARY AND CONFIDENTIAL  
THE INFORMATION CONTAINED IN THIS DRAWING IS THE SOLE PROPERTY OF Virtual Polymer Compounds, LLC. ANY REPRODUCTION IN PART OR AS A WHOLE WITHOUT THE WRITTEN PERMISSION OF Virtual Polymer Compounds, LLC IS PROHIBITED.

UNLESS OTHERWISE SPECIFIED:	NAME	DATE
DIMENSIONS ARE IN INCHES	DRAWN	LVR 8/6/2020
TOLERANCES:	CHECKED	
FRACTIONAL ±	ENG APPR.	
ANGULAR: MACH ± BEND ±	MFG APPR.	
TWO PLACE DECIMAL ±	Q.A.	
THREE PLACE DECIMAL ±	COMMENTS:	
INTERPRET GEOMETRIC TOLERANCING PER:		
MATERIAL	POLYESTER RESIN	
FINISH		
DO NOT SCALE DRAWING	3rd ANGLE PROJECTION	

**VPC** 10478 Ridge Rd., Medina NY 14103  
**FIBERGLASS** Toll Free: 888-290-9522 Phone: 585-735-9668

TITLE: 9 INCH PARSHALL FLUME		
Project: WITH OPTIONS		
SIZE <b>B</b>	DWG. NO.	REV A
SCALE: 1:16	Weight 172.75	SHEET 5 OF 5