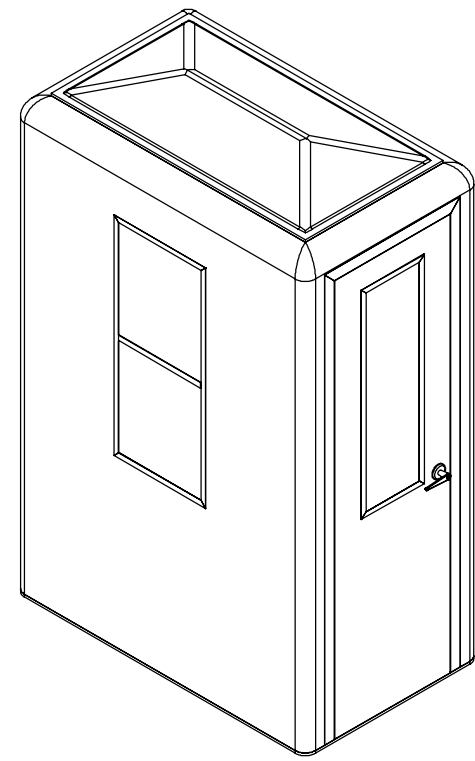
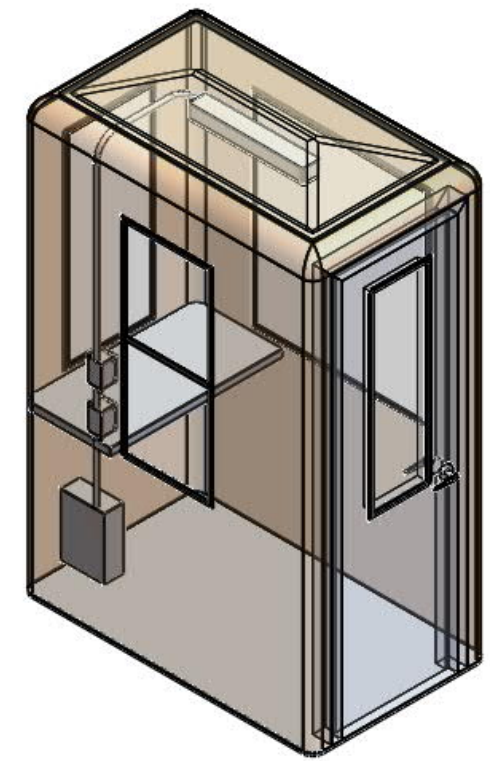


ITEM NO.	PART NUMBER	DESCRIPTION	QTY.
1	FRP DOOR - 28X84	28" X 84" FRP DOOR	1
2	VP00000383	LEVER LOCKSET - SATIN CHROME	1
3	E-COUNTER	FRP COUNTERTOP	1
4	WINDOW 18" X 42"	18 X 42 WINDOW	1
5	WINDOW 36" X 42"	36 X 42 WINDOW	1
6	VPC100A Load Center	100A MAIN LUG LOAD CENTER	1
7	VPC20AGFCI-ASSY	20A DUPLEX RECEPTACLE	1
8	VP00000328	2FT LED LIGHT	1
9	VPCLHTSW-interior	INTERIOR LIGHT SWITCH - 1G	1
10	WINDOW 18" X 42"-LIFT	18 X 42 LIFT SLIDER WINDOW	1



ISOMETRIC VIEW
(SCALE 1:28)



ISOMETRIC VIEW - TRANSPARENT
(SCALE 1:28)

- NOTES:
- 1) EXTERIOR GEL COAT COLOR TO BE WHITE. (OTHER COLORS AVAILABLE.)
 - 2) INTERIOR GAL COAT COLOR TO BE WHITE. (OTHER COLORS AVAILABLE.)
 - 3) SHELTER CONSTRUCTED USING A CLASS 1 FIRE RESISTANT RESIN, FLAME SPREAD <25.
 - 4) PANELS CONSTRUCTED WITH A NOMINAL 1/4" CHOPPED GLASS LAMINATE.
 - 5) FLOORING COSTRUCED WITH 3/4" PLYWOOD WITH SIDES AND BOTTOM PROTECTED. INTERIOR FLOOR TO SLIP RESISTANT.
 - 6) UNIT SHIPPED PREASSEMBLED AND PREWIRED PER N.E.C. CODES.
 - 7) SHELTER MEETS OR EXCEEDS THE VALUES LISTED.
 WIND PRESSURE EQUAL TO 110MPH 27PSF
 LIVE LOAD ON FLOORING 50PSF
 SNOW LOAD 40PSF
 DEAD LOAD 40PSF
 WIND UPLIFT LOAD 27PSF

PROPRIETARY AND CONFIDENTIAL
 THE INFORMATION CONTAINED IN THIS DRAWING IS THE SOLE PROPERTY OF VIRTUAL POLYMER COMPOUNDS, LLC. ANY REPRODUCTION IN PART OR AS A WHOLE WITHOUT THE WRITTEN PERMISSION OF VIRTUAL POLYMER COMPOUNDS, LLC IS PROHIBITED.

UNLESS OTHERWISE SPECIFIED:	NAME	DATE
DIMENSIONS ARE IN INCHES	DRAWN	LVR 2/23/2021
TOLERANCES:	CHECKED	
FRACTIONAL ±	ENG APPR.	
ANGULAR: MACH ± BEND ±	MFG APPR.	
TWO PLACE DECIMAL ±	Q.A.	
THREE PLACE DECIMAL ±		

INTERPRET GEOMETRIC TOLERANCING PER:	
MATERIAL	POLYESTER RESIN
FINISH	
DO NOT SCALE DRAWING	

10478 Ridge Rd.,
 Medina NY 14103
 Toll Free: 888-290-9522
 Phone: 585-735-9668

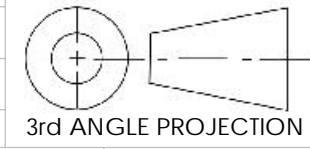
VPC FIBERGLASS

TITLE: ECOTECH SHELTER

Project: ECOTECH SHELTER

SIZE	DWG. NO.	REV
B		A

SCALE: 1:16 Weight 532.19 SHEET 1 OF 3



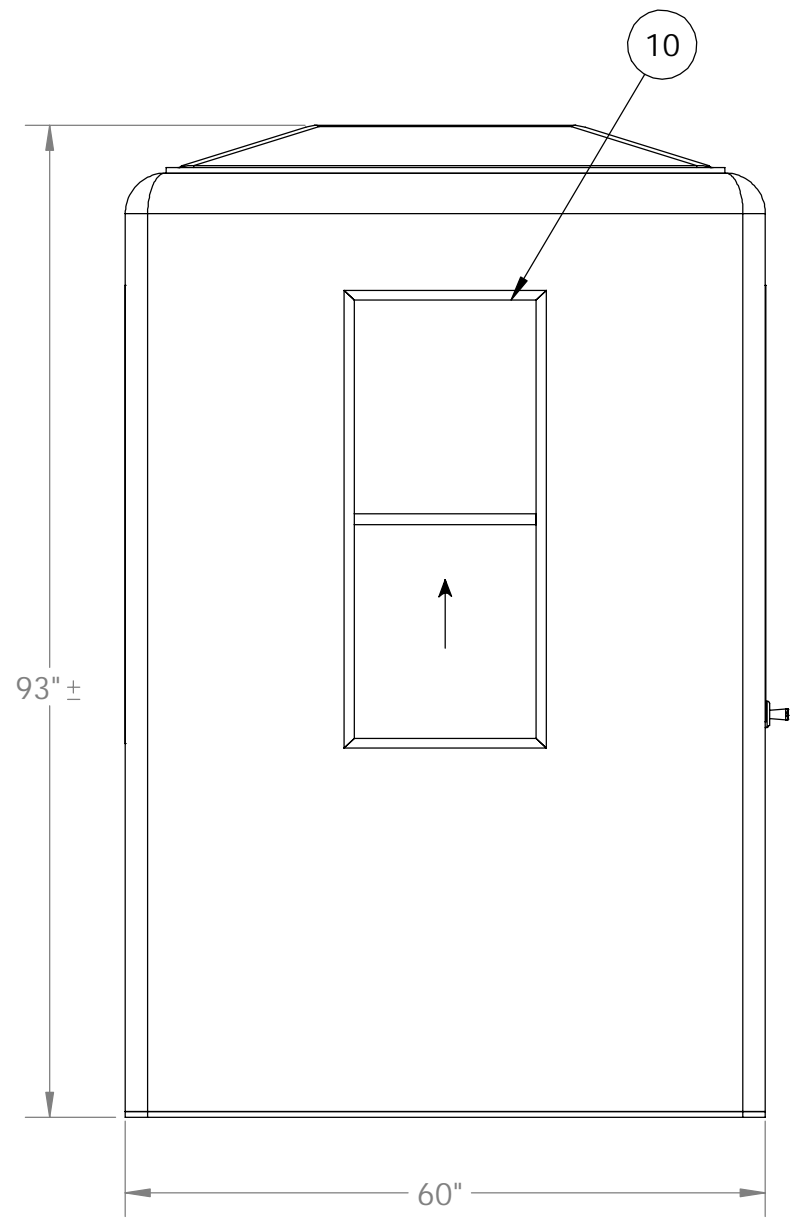
8 7 6 5 4 3 2 1

D

C

B

A



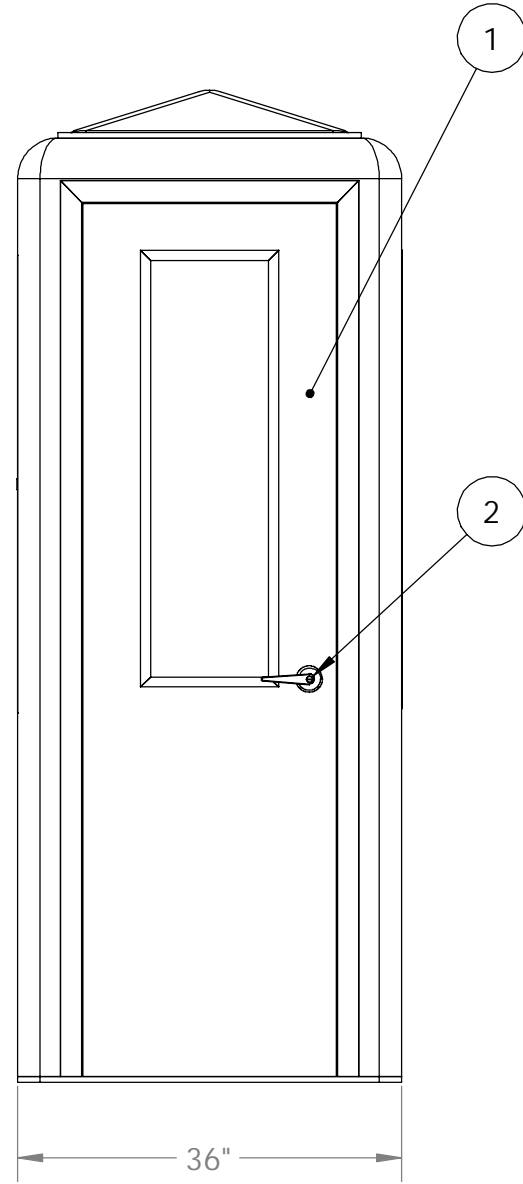
1 FRONT ELEVATION

D

C

B

A



2 RIGHT SIDE ELEVATION

PROPRIETARY AND CONFIDENTIAL
 THE INFORMATION CONTAINED IN THIS
 DRAWING IS THE SOLE PROPERTY OF
 Virtual Polymer Compounds, LLC. ANY
 REPRODUCTION IN PART OR AS A WHOLE
 WITHOUT THE WRITTEN PERMISSION OF
 Virtual Polymer Compounds, LLC IS
 PROHIBITED.

UNLESS OTHERWISE SPECIFIED:	NAME	DATE
DIMENSIONS ARE IN INCHES	DRAWN	LVR 2/23/2021
TOLERANCES:	CHECKED	
FRACTIONAL ±	ENG APPR.	
ANGULAR: MACH ± BEND ±	MFG APPR.	
TWO PLACE DECIMAL ±	Q.A.	
THREE PLACE DECIMAL ±	COMMENTS:	
INTERPRET GEOMETRIC TOLERANCING PER:	<p>3rd ANGLE PROJECTION</p>	
MATERIAL		
POLYESTER RESIN	SCALE: 1:18 Weight 532.19 SHEET 2 OF 3	
FINISH		
DO NOT SCALE DRAWING		

	NAME	DATE
	LVR	2/23/2021

VPC 10478 Ridge Rd.,
 Medina NY 14103
 Toll Free: 888-290-9522
 FIBERGLASS Phone: 585-735-9668

TITLE: ECOTECH SHELTER

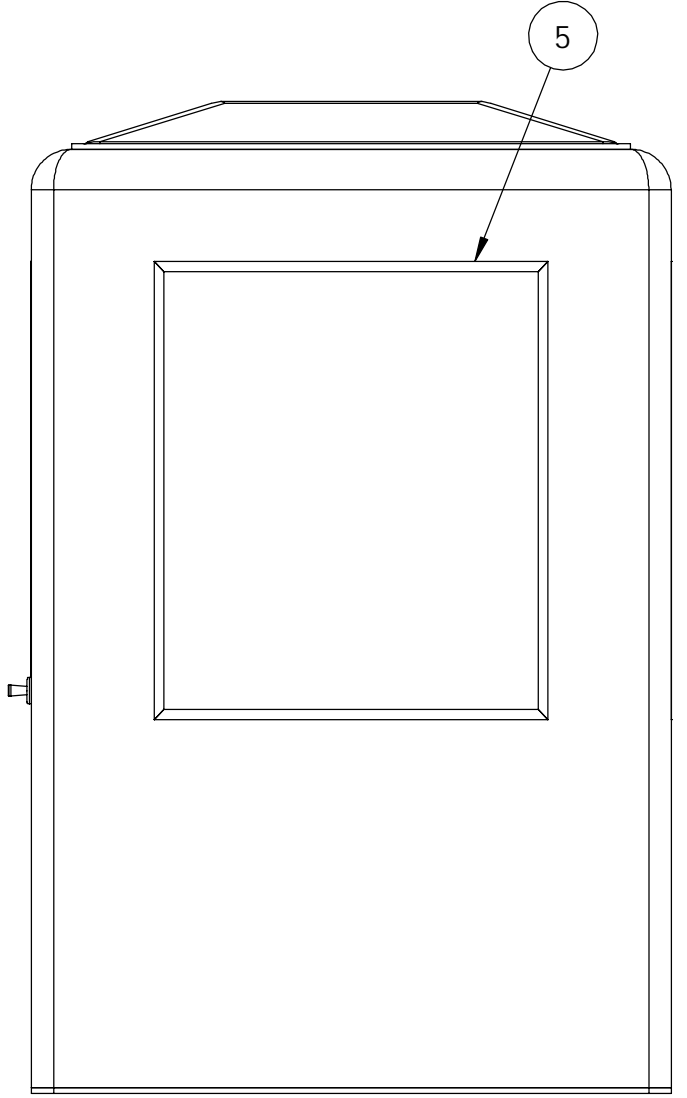
Project: ECOTECH SHELTER

SIZE	DWG. NO.	REV
B		A

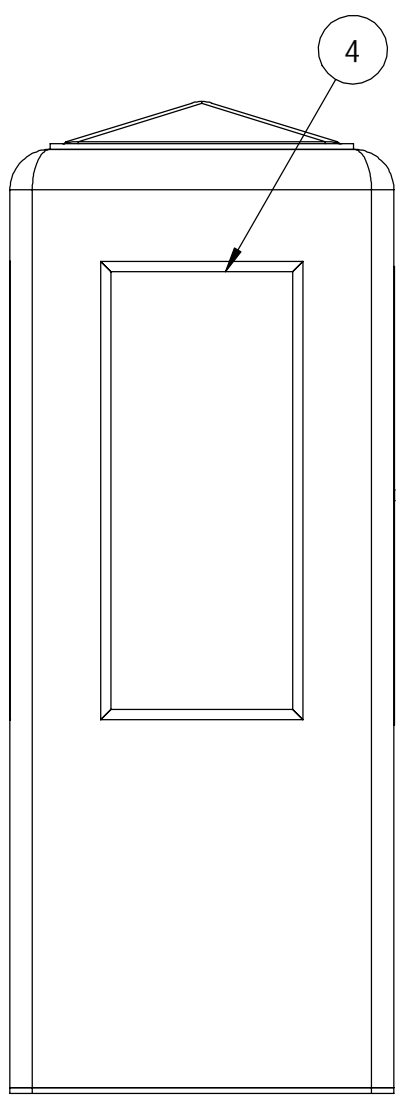
8 7 6 5 4 3 2 1

8 7 6 5 4 3 2 1

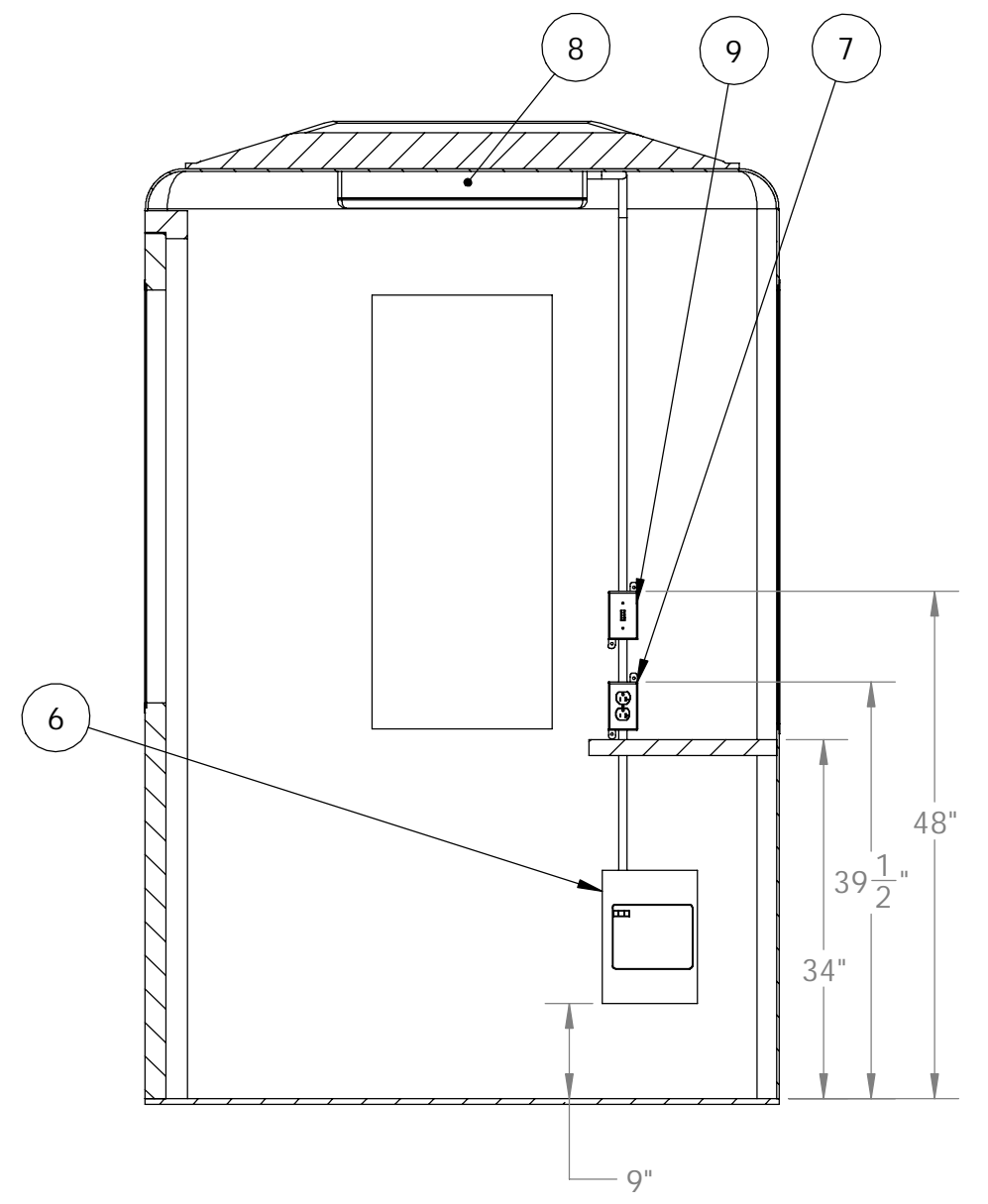
D
C
B
A



3 REAR ELEVATION



4 LEFT SIDE ELEVATION



SECTION A-A

PROPRIETARY AND CONFIDENTIAL
THE INFORMATION CONTAINED IN THIS DRAWING IS THE SOLE PROPERTY OF Virtual Polymer Compounds, LLC. ANY REPRODUCTION IN PART OR AS A WHOLE WITHOUT THE WRITTEN PERMISSION OF Virtual Polymer Compounds, LLC IS PROHIBITED.

UNLESS OTHERWISE SPECIFIED:
DIMENSIONS ARE IN INCHES
TOLERANCES:
FRACTIONAL ±
ANGULAR: MACH ± BEND ±
TWO PLACE DECIMAL ±
THREE PLACE DECIMAL ±
INTERPRET GEOMETRIC TOLERANCING PER:
MATERIAL POLYESTER RESIN
FINISH
DO NOT SCALE DRAWING

NAME	DATE
DRAWN LVR	2/23/2021
CHECKED	
ENG APPR.	
MFG APPR.	
Q.A.	

COMMENTS:
3rd ANGLE PROJECTION

VPC 10478 Ridge Rd., Medina NY 14103
FIBERGLASS Toll Free: 888-290-9522 Phone: 585-735-9668

TITLE: ECOTECH SHELTER

Project: ECOTECH SHELTER

SIZE B	DWG. NO.	REV A
--------	----------	-------

SCALE: 1:18 Weight 532.19 SHEET 3 OF 3

8 7 6 5 4 3 2 1