

8

7

6

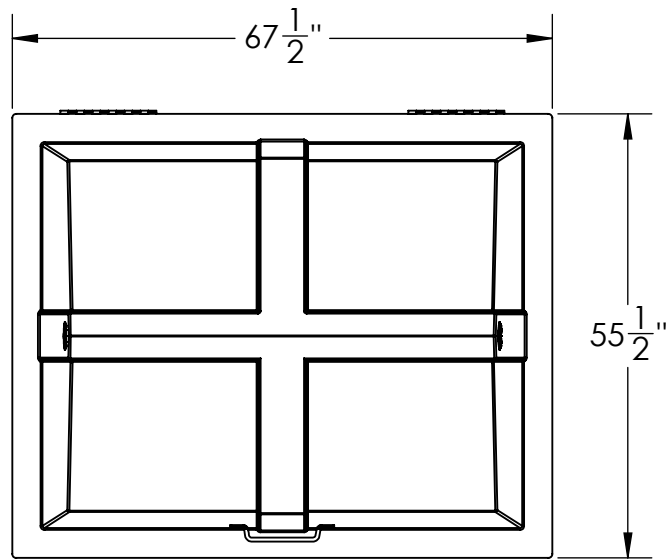
5

4

3

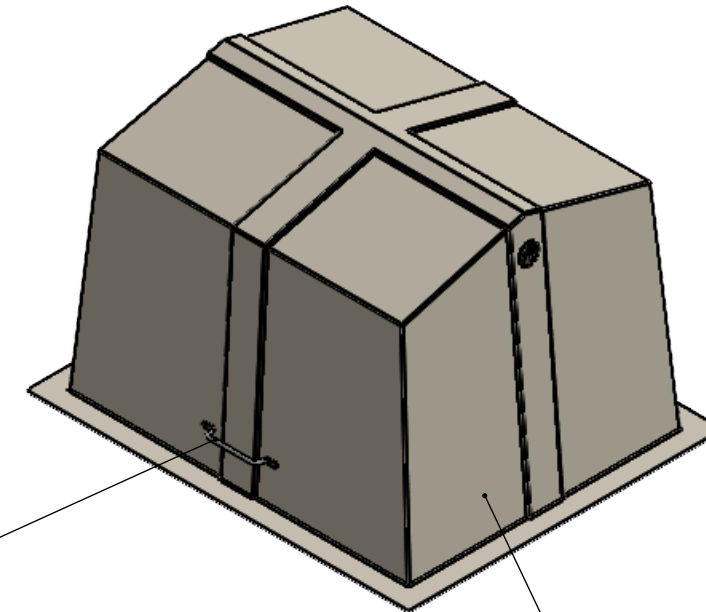
2

1



R7 INSULATION VALUE STANDARD.
HIGHER R VALUES AVAILABLE.

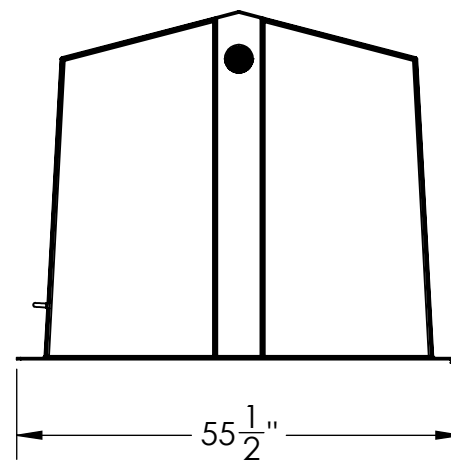
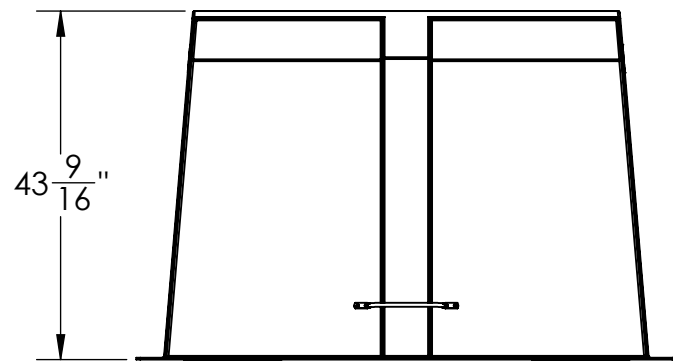
TWO 1FT PIANO HINGES MOUNTED TO
BOTTOM FLANGE IN BACK. WITH THE
HINGE ANCHORED TO CONCRETE
FOOTING, THE WHOLE ENCLOSURE CAN
TILT BACK.



LIFTING HANDLE

304SS HINGES AND
EXTERNAL HARDWARE

20 MIL POLYESTER BEIGE GELCOAT
STANDARD. OTHER RESIN SYSTEMS
AND COLORS AVAILABLE



OPTIONAL FEATURES:

- 3/8" THICK INTEGRAL FIBERGLASS FLOOR
- EQUIPMENT MOUNTING BOARD
- 110V 60W INCANDESCENT LIGHT WITH WALL SWITCH
- VENTILATION FAN 60CFM WITH REMOTE THERMOSTAT
- BASEBOARD 500W ELECTRIC HEATER W INTEGRAL THERMOSTAT
- 110/220 V LOAD CENTER W 100A MAIN AND 4X 20A BREAKERS
- 12X12IN WINDOW IN DOOR

CUSTOM CONFIGURATIONS AVAILABLE!

PROPRIETARY AND CONFIDENTIAL

THE INFORMATION CONTAINED IN THIS
DRAWING IS THE SOLE PROPERTY OF
VIRTUAL POLYMER COMPOUNDS. ANY
REPRODUCTION IN PART OR AS A WHOLE
WITHOUT THE WRITTEN PERMISSION OF
VIRTUAL POLYMER COMPOUNDS IS
PROHIBITED.

		UNLESS OTHERWISE SPECIFIED:		NAME	DATE
		DIMENSIONS ARE IN INCHES		DRAWN	CD 10/8/2020
		TOLERANCES:		CHECKED	---
		FRACTIONAL ±		ENG APPR.	---
		ANGULAR: MACH ± BEND ±		MFG APPR.	---
		TWO PLACE DECIMAL ±		Q.A.	---
		THREE PLACE DECIMAL ±		COMMENTS:	
		INTERPRET GEOMETRIC TOLERANCING PER:			
		MATERIAL:			
		FINISH:			
NEXT ASSY	USED ON				
APPLICATION		DO NOT SCALE DRAWING			

		Virtual Polymer Compounds VPC Fiberglass vpc@vpcgl.com 117 065 117 9065 F 118 542 6190 2427 E. 117th St. - Meriden, CT 06455	
TITLE: ENDURO MODEL 400 TILT BACK FIBERGLASS ENCLOSURE			
SIZE	DWG. NO.	REV	
B	M400TB	-	
SCALE:	WEIGHT:	SHEET 1 OF 2	

8

7

6

5

4

3

2

1

F
E
D
C
B
A

8

7

6

5

4

3

2

1

F

E

D

C

B

A

F

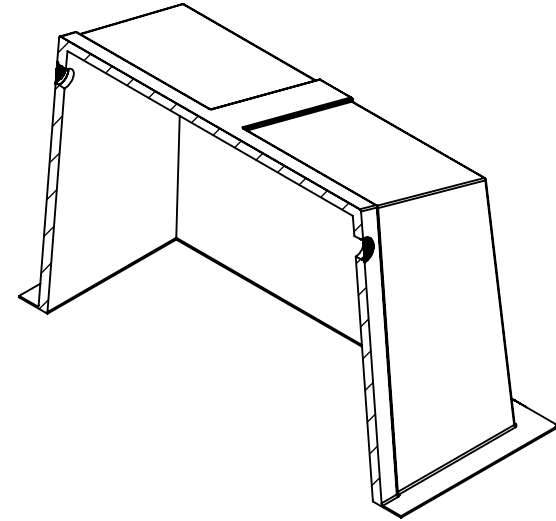
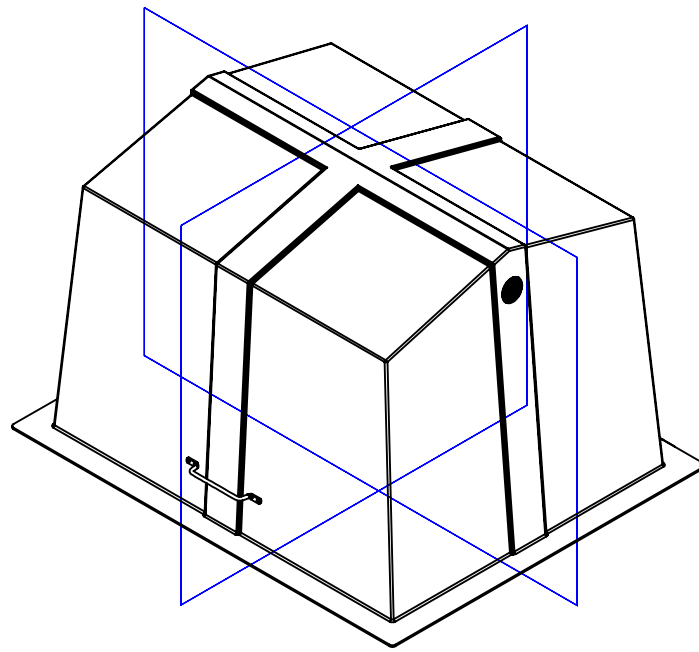
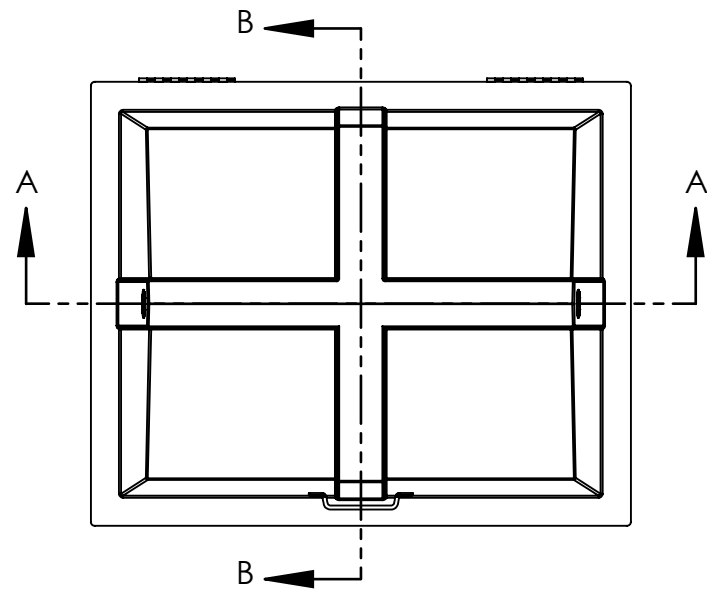
E

D

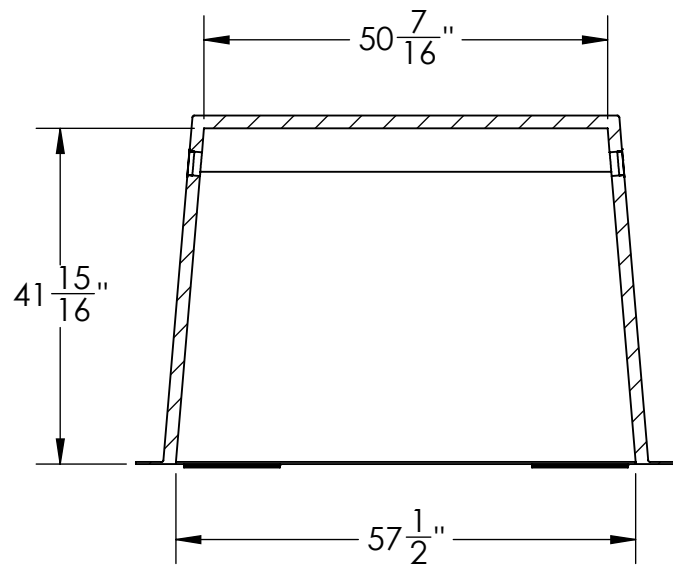
C

B

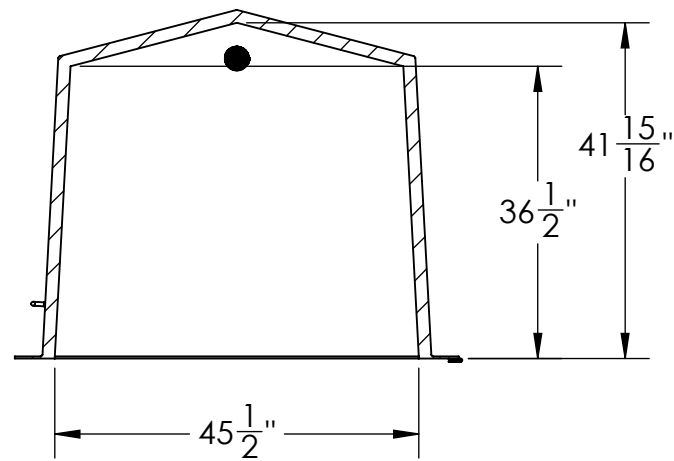
A



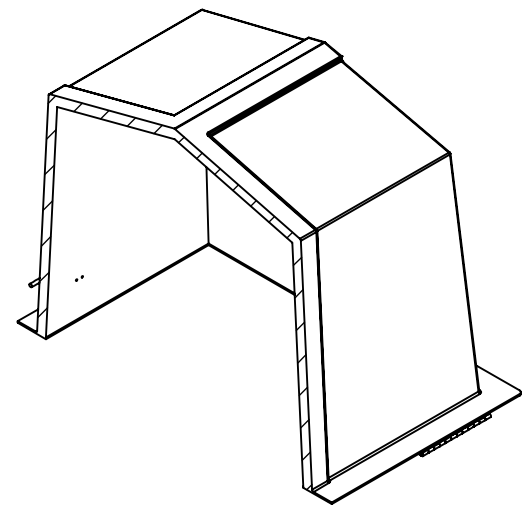
SECTION A-A



SECTION A-A



SECTION B-B



SECTION B-B

PROPRIETARY AND CONFIDENTIAL
 THE INFORMATION CONTAINED IN THIS DRAWING IS THE SOLE PROPERTY OF VIRTUAL POLYMER COMPOUNDS. ANY REPRODUCTION IN PART OR AS A WHOLE WITHOUT THE WRITTEN PERMISSION OF VIRTUAL POLYMER COMPOUNDS IS PROHIBITED.

		UNLESS OTHERWISE SPECIFIED:		NAME	DATE
		DIMENSIONS ARE IN INCHES		DRAWN	CD 10/8/2020
		TOLERANCES:		CHECKED	---
		FRACTIONAL: ±		ENG APPR.	---
		ANGULAR: MACH ± BEND ±		MFG APPR.	---
		TWO PLACE DECIMAL ±		Q.A.	---
		THREE PLACE DECIMAL ±		COMMENTS:	
		INTERPRET GEOMETRIC TOLERANCING PER:			
		MATERIAL:			
		FINISH:			
NEXT ASSY	USED ON				
APPLICATION		DO NOT SCALE DRAWING			



TITLE:
ENDURO MODEL 400 TILT BACK FIBERGLASS ENCLOSURE

SIZE	DWG. NO.	REV
B	M400TB	-
SCALE:	WEIGHT:	SHEET 2 OF 2

8

7

6

5

4

3

2

1