

Standard Equipment Enclosures

Enduro M400G - A versatile single gull wing shelter able to easily access well heads, pumps, valves, and pipes.

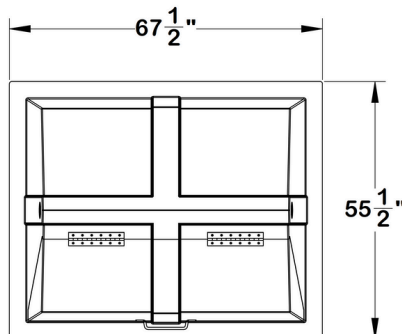
Unlimited Ways to Customize



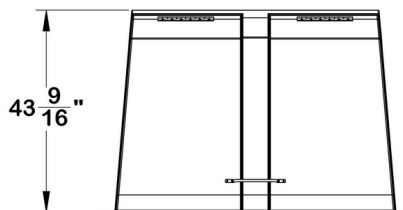
Enduro M400G



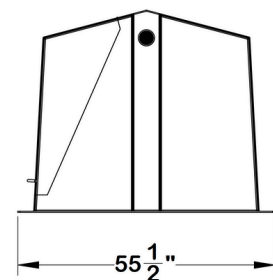
2D DRAWINGS:



TOP VIEW



FRONT VIEW



SIDE VIEW

Enduro M400G

Dimensions

Length: 60 IN

Width: 48 IN

Height: 43 IN

Door Opening Width: 50.166 IN

Door Opening Height: 46.0625 IN

Model Details

- Pad mounted
- Tilt-Back on exterior base flange for complete access to inside equipment
- Accessed from exterior
- SS lifting handle
- 4 IN ext. mounting flange

Standard Properties

- *Insulated*
- *Maintenance-Free*
- *Corrosion-Resistant*
- *Fully Assembled*
- *Weatherproof*
- *Single-Piece Construction*
- *130 MPH Wind Load*
- *40 PSF Snow Load*
- *In Stock, Ready to Ship*