

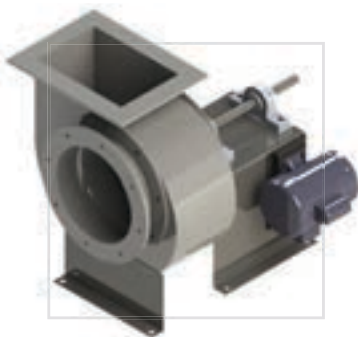
# FRP Fans

VPC fiberglass fans are well-recognized for their proven success in handling a wide range of corrosive applications: chemical processing, pulp & paper, fertilizer industries, waste water treatment plants and more. With our product, you can achieve maximum corrosion resistance, rugged construction, ease of maintenance and utmost efficiency.



## Wall Box Fan

- 13 sizes available: 12" to 60"
- Capacities up to 90,000 CFM
- Pressures up to 2" W.G.



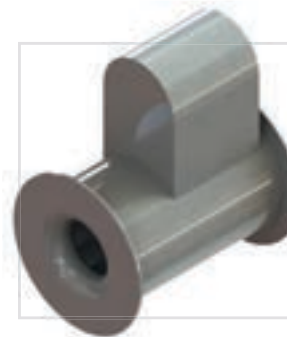
## Backward Inclined Centrifugal fan

- 16 sizes available: 12" to 66"
- Capacities up to 90,000 CFM
- Pressures up to 20" W.G.



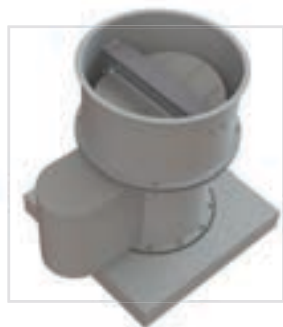
## Radial Blade Centrifugal fan

- 5 sizes available: 10" to 24"
- Capacities up to 15,000 CFM
- Pressures up to 2" W.G.



## Inline Centrifugal Fan

- 6 sizes available: 12" to 30"
- Capacities up to 20,000 CFM
- Pressures up to 9" W.G.



## Tube Axial Upblast Fan

- 13 sizes available: 12" to 60"
- Capacities up to 90,000 CFM
- Pressures up to 2" W.G.



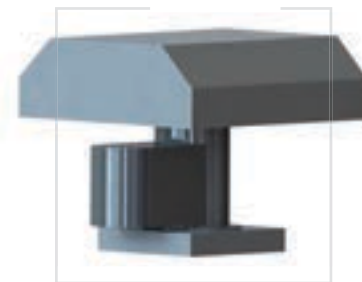
## Louvers & Dampers

- 6" Deep Heavy-Duty Channel Frame
- Heavy Duty Blades
- Parallel Blade Design



## Tube Axial Fan

- 13 sizes available: 12" to 60"
- Capacities up to 90,000 CFM
- Pressures up to 5" W.G.



## Tube Axial Hooded Fan

- 13 sizes available: 12" to 60"
- Capacities up to 90,000 CFM
- Pressures up to 2" W.G.

[vpcfberglass.com](http://vpcfberglass.com)  
585.735.9668  
[info@vpcfberglass.com](mailto:info@vpcfberglass.com)

**ADMINISTRATIVE OFFICES**  
2410 North Forest Road, Suite 301  
Getzville, NY 14068

**LOCKPORT MANUFACTURING**  
75 Michigan Street, Suite 2  
Lockport, NY 14094

**MEDINA MANUFACTURING**  
10478 Ridge Road  
Medina, NY 14103

**VPC**  
FIBERGLASS