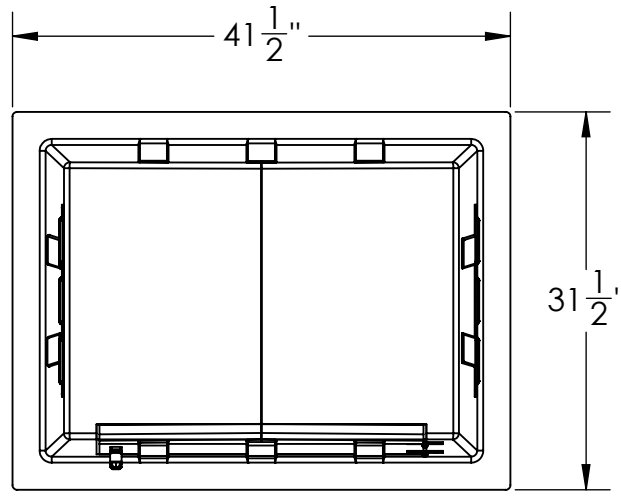


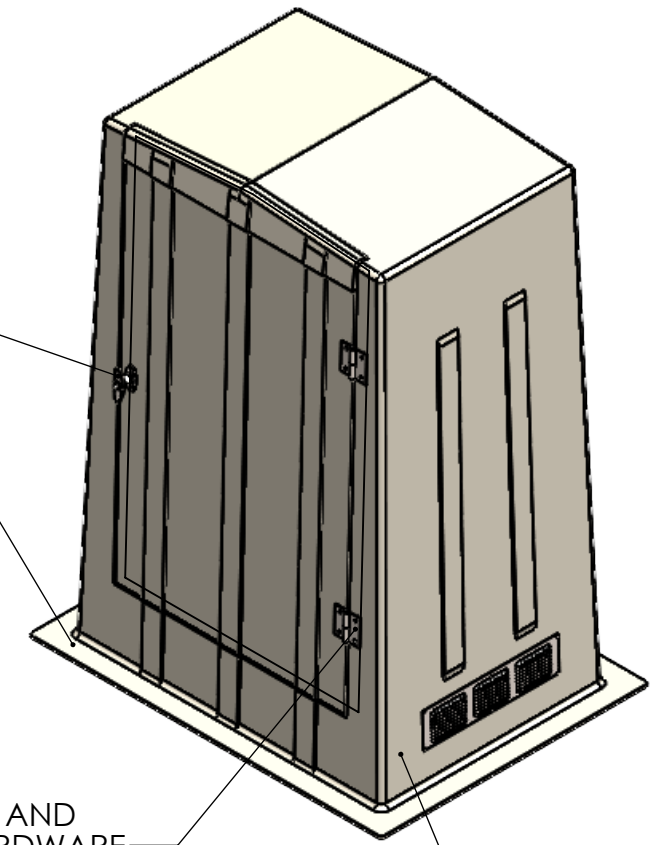
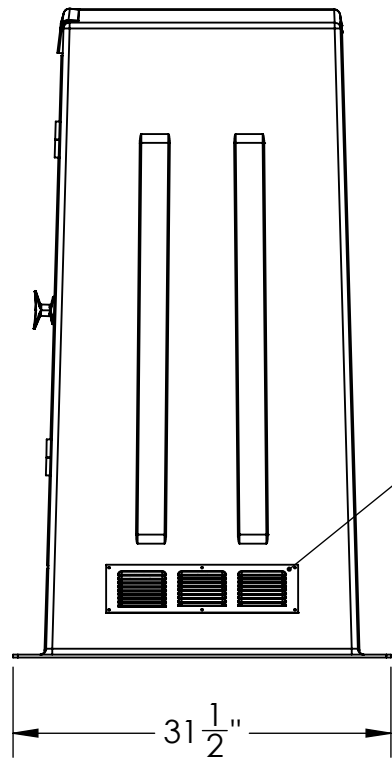
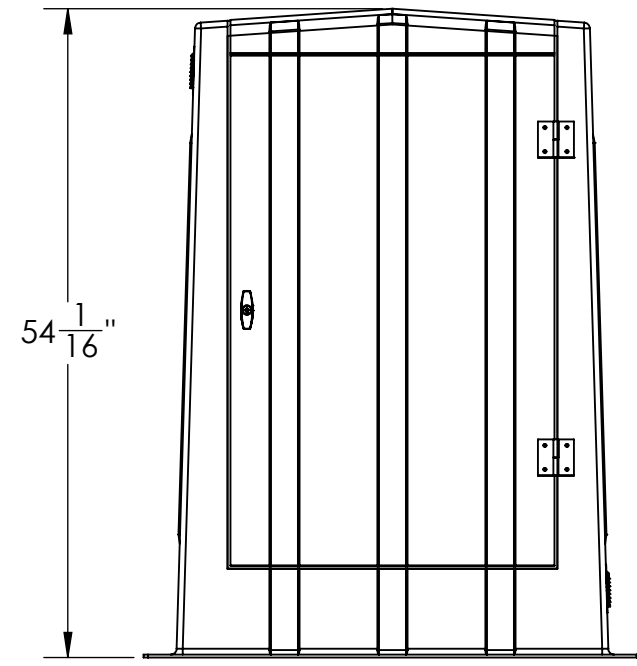
8 7 6 5 4 3 2 1

F
E
D
C
B
A

F
E
D
C
B
A



R7 INSULATION VALUE STANDARD.
HIGHER R VALUES AVAILABLE.



THREE POINT LOCKING LATCH
WITH KEYED HANDLE

4 INCH EXTERNAL FLANGE

304SS HINGES AND
EXTERNAL HARDWARE

SCREENED FIXED LOUVER VENT STANDARD

20 MIL POLYESTER BEIGE GELCOAT
STANDARD. OTHER RESIN SYSTEMS
AND COLORS OPTIONAL.

OPTIONAL FEATURES:

- 3/8" THICK INTEGRAL FIBERGLASS FLOOR
- EQUIPMENT MOUNTING BOARD
- 110V 60W INCANDESCENT LIGHT WITH WALL SWITCH
- VENTILATION FAN, 60CFM WITH REMOTE THERMOSTAT
- BASEBOARD 500W ELECTRIC HEATER W/ INTEGRAL THERMOSTAT
- 110/220V LOAD CENTER W/ 100A MAIN AND 4X 20A BREAKERS
- 12" X 12" WINDOW IN DOOR

CUSTOM CONFIGURATIONS AVAILABLE!

PROPRIETARY AND CONFIDENTIAL
THE INFORMATION CONTAINED IN THIS
DRAWING IS THE SOLE PROPERTY OF
VIRTUAL POLYMER COMPOUNDS. ANY
REPRODUCTION IN PART OR AS A WHOLE
WITHOUT THE WRITTEN PERMISSION OF
VIRTUAL POLYMER COMPOUNDS IS
PROHIBITED.

		UNLESS OTHERWISE SPECIFIED:		NAME	DATE
		DIMENSIONS ARE IN INCHES		DRAWN	CD 8/14/2020
		TOLERANCES:		CHECKED	---
		FRACTIONAL ±		ENG APPR.	---
		ANGULAR: MACH ± BEND ±		MFG APPR.	---
		TWO PLACE DECIMAL ±		Q.A.	---
		THREE PLACE DECIMAL ±		COMMENTS:	
		INTERPRET GEOMETRIC TOLERANCING PER:			
		MATERIAL:			
		FINISH:			
NEXT ASSY	USED ON				
APPLICATION		DO NOT SCALE DRAWING			

VPC FIBERGLASS		Virtual Polymer Compounds VPC Fiberglass vpcfiberglass.com 1 800 712 9065 P 118.942.6190 2427 E. 117th St. - Meriden, CT 06455	
TITLE: ENDURO MODEL 150 FIBERGLASS ENCLOSURE			
SIZE	DWG. NO.	REV	
B	M150	-	
SCALE:	WEIGHT:	SHEET 1 OF 3	

8 7 6 5 4 3 2 1

8

7

6

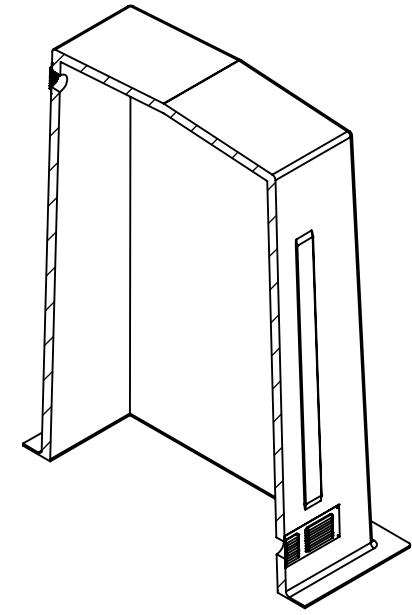
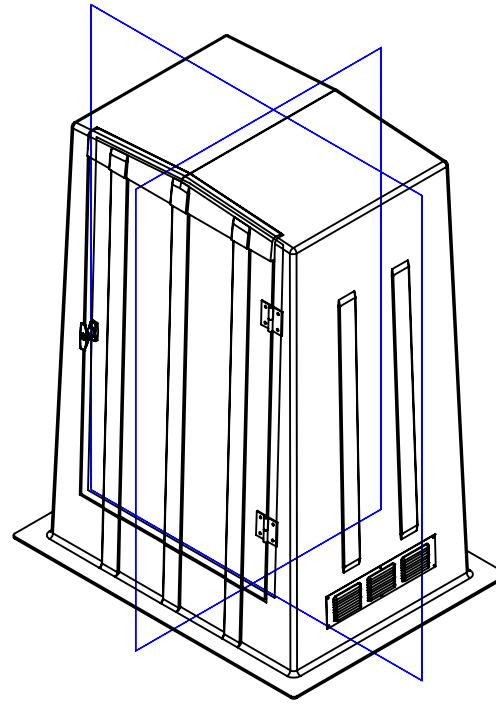
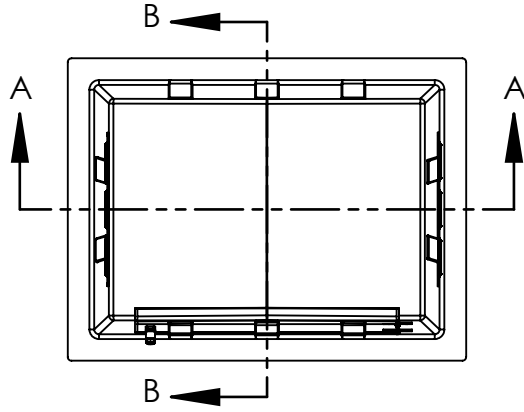
5

4

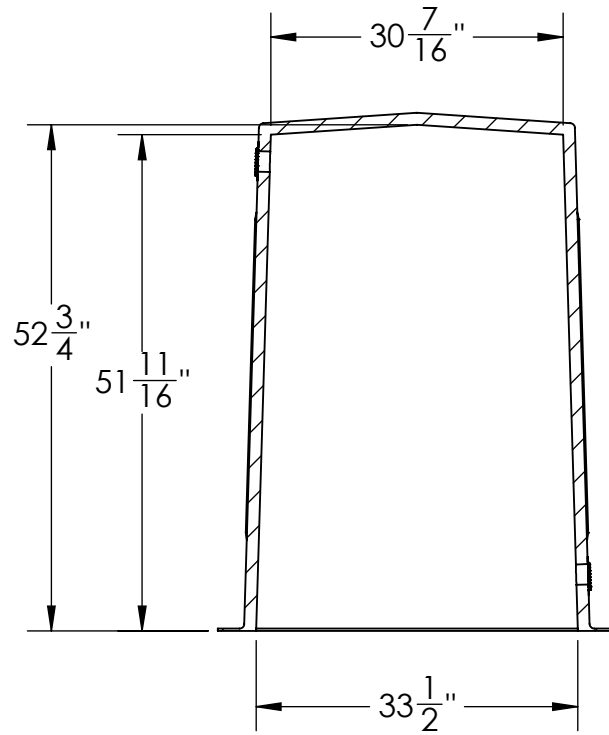
3

2

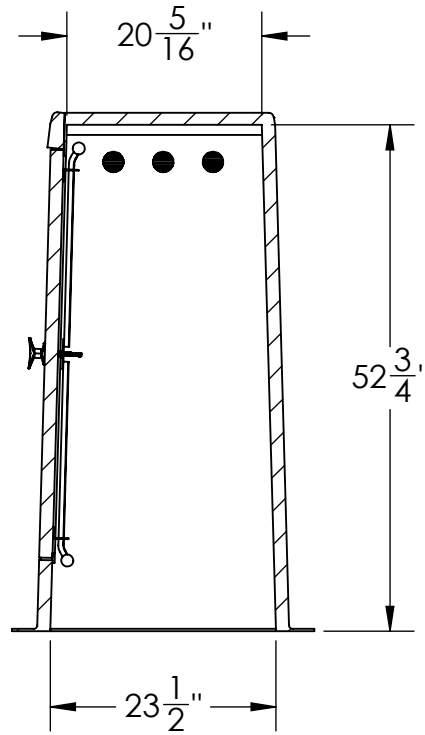
1



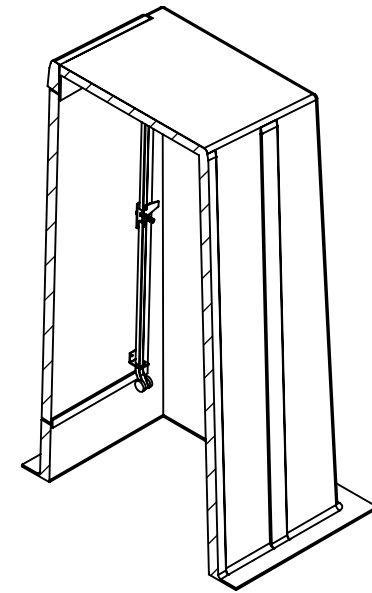
SECTION A-A



SECTION A-A



SECTION B-B



SECTION B-B

PROPRIETARY AND CONFIDENTIAL
 THE INFORMATION CONTAINED IN THIS DRAWING IS THE SOLE PROPERTY OF VIRTUAL POLYMER COMPOUNDS. ANY REPRODUCTION IN PART OR AS A WHOLE WITHOUT THE WRITTEN PERMISSION OF VIRTUAL POLYMER COMPOUNDS IS PROHIBITED.

		UNLESS OTHERWISE SPECIFIED:		NAME	DATE
		DIMENSIONS ARE IN INCHES		DRAWN	CD 8/14/2020
		TOLERANCES:		CHECKED	---
		FRACTIONAL ±		ENG APPR.	---
		ANGULAR: MACH ± BEND ±		MFG APPR.	---
		TWO PLACE DECIMAL ±		Q.A.	---
		THREE PLACE DECIMAL ±		COMMENTS:	
		INTERPRET GEOMETRIC TOLERANCING PER:			
		MATERIAL:			
		FINISH:			
NEXT ASSY	USED ON	DO NOT SCALE DRAWING			
APPLICATION					



TITLE:
**ENDURO MODEL 150
 FIBERGLASS ENCLOSURE**

SIZE	DWG. NO.	REV
B	M150	-
SCALE:	WEIGHT:	SHEET 2 OF 3

8

7

6

5

4

3

2

1

F

E

D

C

B

A

F

E

D

C

B

A

8

7

6

5

4

3

2

1

F

F

E

E

D

D

C

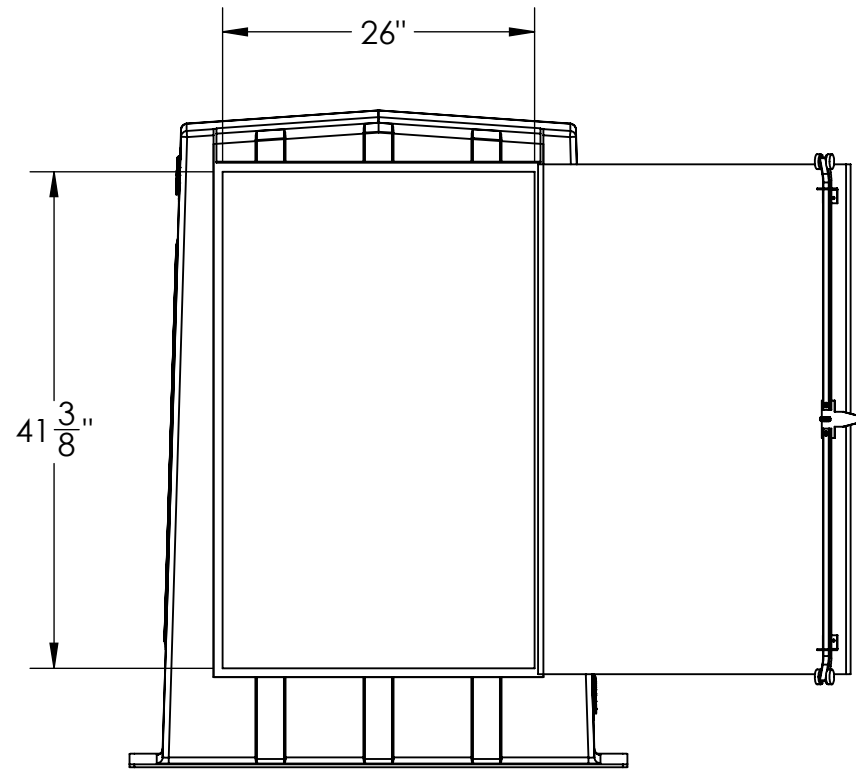
C

B

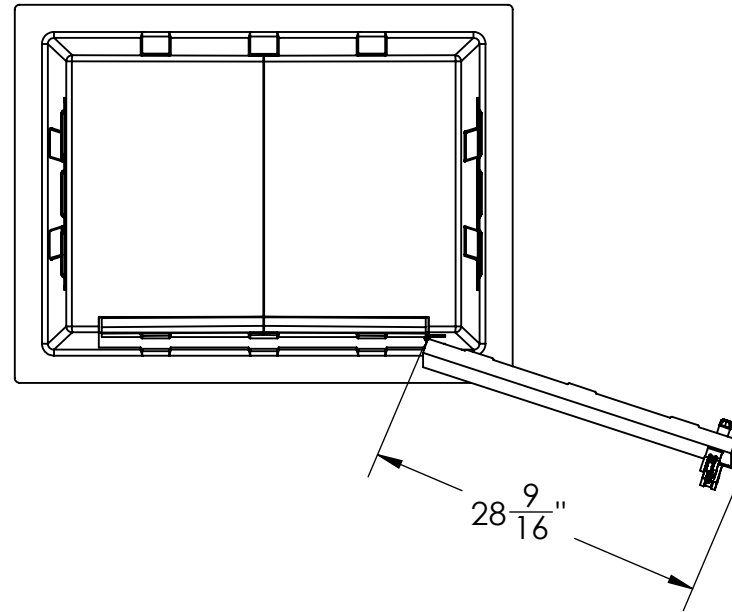
B

A

A



DOOR CLEAR OPENING



DOOR SWING

PROPRIETARY AND CONFIDENTIAL
 THE INFORMATION CONTAINED IN THIS DRAWING IS THE SOLE PROPERTY OF VIRTUAL POLYMER COMPOUNDS. ANY REPRODUCTION IN PART OR AS A WHOLE WITHOUT THE WRITTEN PERMISSION OF VIRTUAL POLYMER COMPOUNDS IS PROHIBITED.

		UNLESS OTHERWISE SPECIFIED:		NAME	DATE
		DIMENSIONS ARE IN INCHES		DRAWN	CD 8/14/2020
		TOLERANCES:		CHECKED	---
		FRACTIONAL ±		ENG APPR.	---
		ANGULAR: MACH ± BEND ±		MFG APPR.	---
		TWO PLACE DECIMAL ±		Q.A.	---
		THREE PLACE DECIMAL ±		COMMENTS:	
		INTERPRET GEOMETRIC TOLERANCING PER:			
		MATERIAL:			
		FINISH:			
NEXT ASSY	USED ON				
APPLICATION		DO NOT SCALE DRAWING			

VPC FIBERGLASS Virtual Polymer Compounds VPC Fiberglass
 vpcfiberglass.com 1 800 712 9065 P 118.542.6190
 2427 E. 17th St. Mesa, AZ 85205

TITLE:
ENDURO MODEL 150 FIBERGLASS ENCLOSURE

SIZE	DWG. NO.	REV
B	M150	-

SCALE: WEIGHT: SHEET 3 OF 3

8

7

6

5

4

3

2

1