

8

7

6

5

4

3

2

1

F

E

D

C

B

A

F

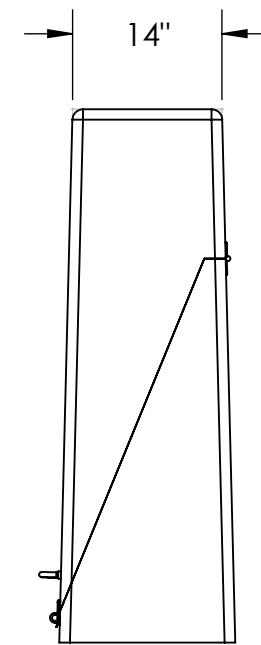
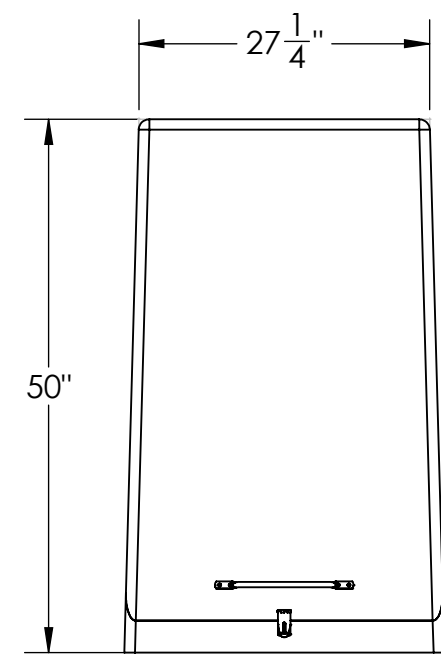
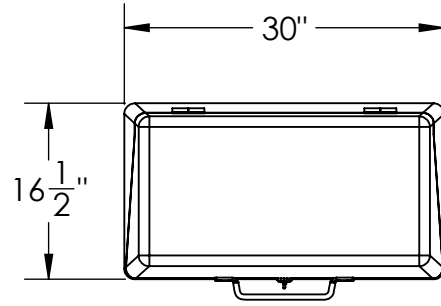
E

D

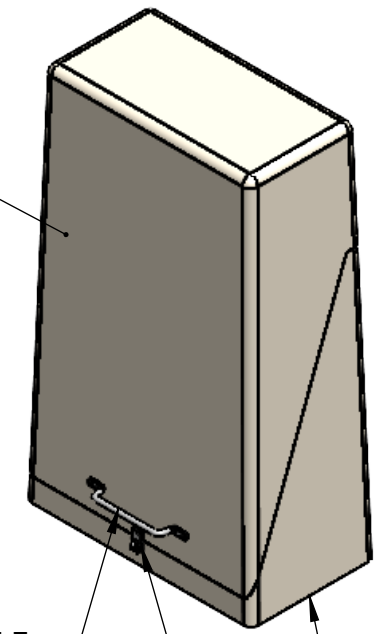
C

B

A



20 MIL POLYESTER GELCOAT.
BEIGE IS STANDARD. CUSTOM
COLORS AVAILABLE.



304SS PULL HANDLE

304SS PADLOCKABLE HASP


3 INCH INTERNAL OR EXTERNAL
FLANGE AVAILABLE

OPTIONAL FEATURES:

- 3/8" THICK INTEGRAL FIBERGLASS FLOOR
- EQUIPMENT MOUNTING BOARD
- 110V 60W INCANDESCENT LIGHT WITH WALL SWITCH
- VENTILATION FAN 60CFM WITH REMOTE THERMOSTAT
- BASEBOARD 500W ELECTRIC HEATER W INTEGRAL THERMOSTAT
- 110/220V LOAD CENTER WITH 100A MAIN AND 4X 20A BREAKERS

CUSTOM CONFIGURATIONS AVAILABLE!

PROPRIETARY AND CONFIDENTIAL
THE INFORMATION CONTAINED IN THIS
DRAWING IS THE SOLE PROPERTY OF
VIRTUAL POLYMER COMPOUNDS. ANY
REPRODUCTION IN PART OR AS A WHOLE
WITHOUT THE WRITTEN PERMISSION OF
VIRTUAL POLYMER COMPOUNDS IS
PROHIBITED.

		UNLESS OTHERWISE SPECIFIED:		NAME	DATE	 Virtual Polymer Compounds VPC Fiberglass vpcfiberglass.com P 865.717.8665 F 716.542.6790 5427 E. E. OF W. Main St., S.F. 41075	
		DIMENSIONS ARE IN INCHES		DRAWN	CD		8/17/2020
		TOLERANCES:		CHECKED	---		---
		FRACTIONAL ±		ENG APPR.	---		---
		ANGULAR: MACH ± BEND ±		MFG APPR.	---		---
		TWO PLACE DECIMAL ±		Q.A.	---	---	
		THREE PLACE DECIMAL ±		COMMENTS:			
		INTERPRET GEOMETRIC TOLERANCING PER:					
		MATERIAL:				SIZE DWG. NO. REV	
		FINISH:				B M1630 -	
NEXT ASSY	USED ON					SCALE: WEIGHT: SHEET 1 OF 3	
APPLICATION		DO NOT SCALE DRAWING					

8

7

6

5

4

3

2

1

8

7

6

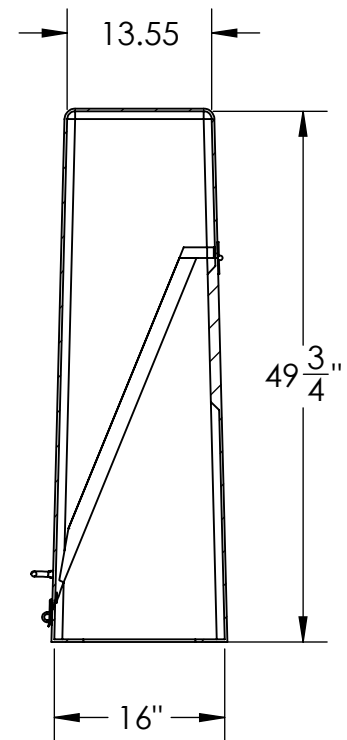
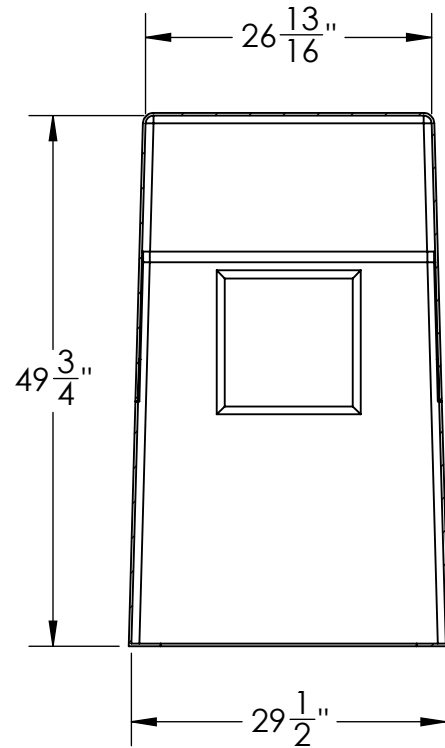
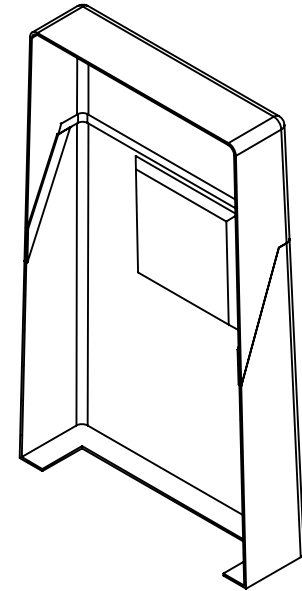
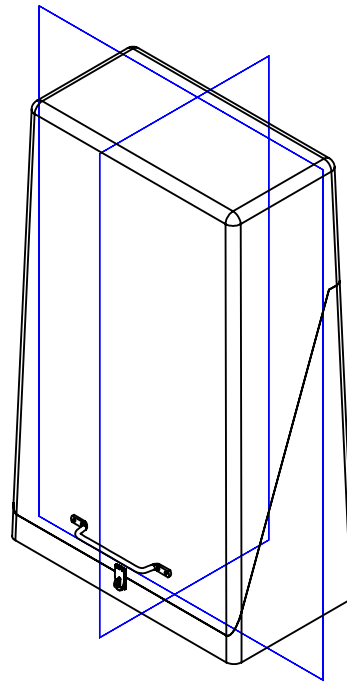
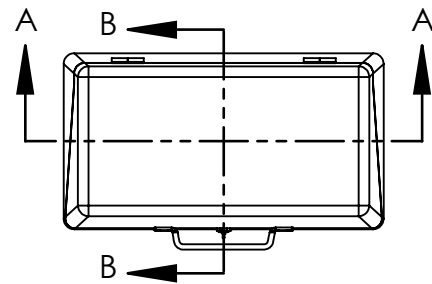
5

4

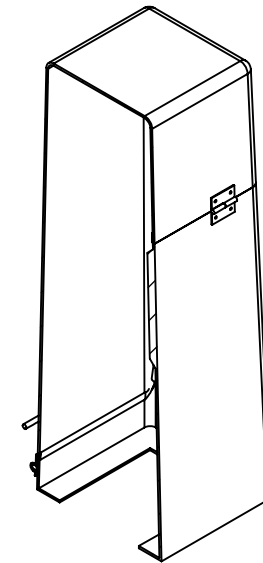
3

2

1



SECTION A-A



SECTION B-B

SECTION A-A

SECTION B-B

PROPRIETARY AND CONFIDENTIAL
 THE INFORMATION CONTAINED IN THIS DRAWING IS THE SOLE PROPERTY OF VIRTUAL POLYMER COMPOUNDS. ANY REPRODUCTION IN PART OR AS A WHOLE WITHOUT THE WRITTEN PERMISSION OF VIRTUAL POLYMER COMPOUNDS IS PROHIBITED.

		UNLESS OTHERWISE SPECIFIED:		NAME	DATE
		DIMENSIONS ARE IN INCHES		DRAWN	CD 8/17/2020
		TOLERANCES:		CHECKED	---
		FRACTIONAL ±		ENG APPR.	---
		ANGULAR: MACH ± BEND ±		MFG APPR.	---
		TWO PLACE DECIMAL ±		Q.A.	---
		THREE PLACE DECIMAL ±		COMMENTS:	
		INTERPRET GEOMETRIC TOLERANCING PER:			
		MATERIAL:			
		FINISH:			
NEXT ASSY	USED ON				
APPLICATION		DO NOT SCALE DRAWING			



TITLE:
ENDURO MODEL 1630 FIBERGLASS ENCLOSURE

SIZE	DWG. NO.	REV
B	M1630	-
SCALE:	WEIGHT:	SHEET 2 OF 3

8

7

6

5

4

3

2

1

F

F

E

E

D

D

C

C

B

B

A

A

8

7

6

5

4

3

2

1

F

F

E

E

D

D

C

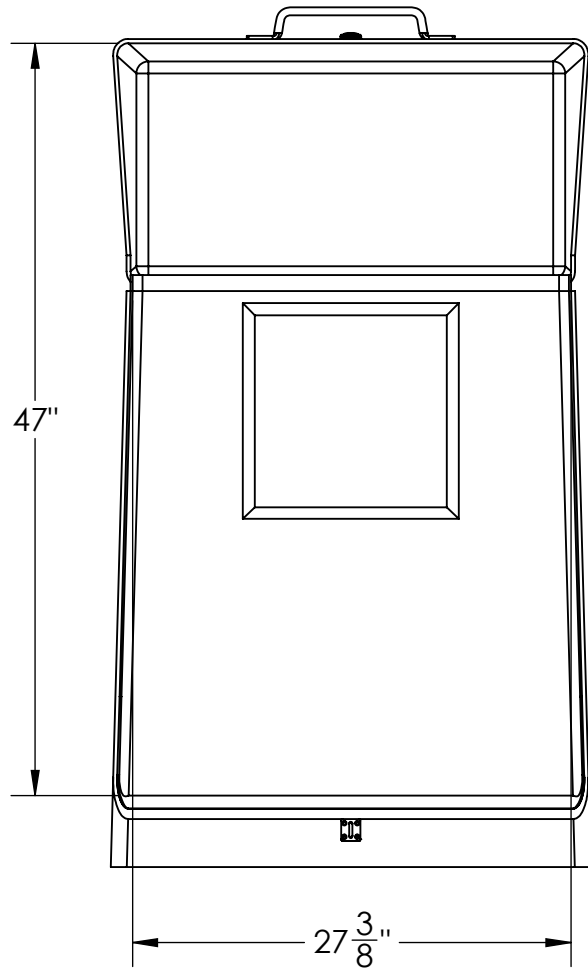
C

B

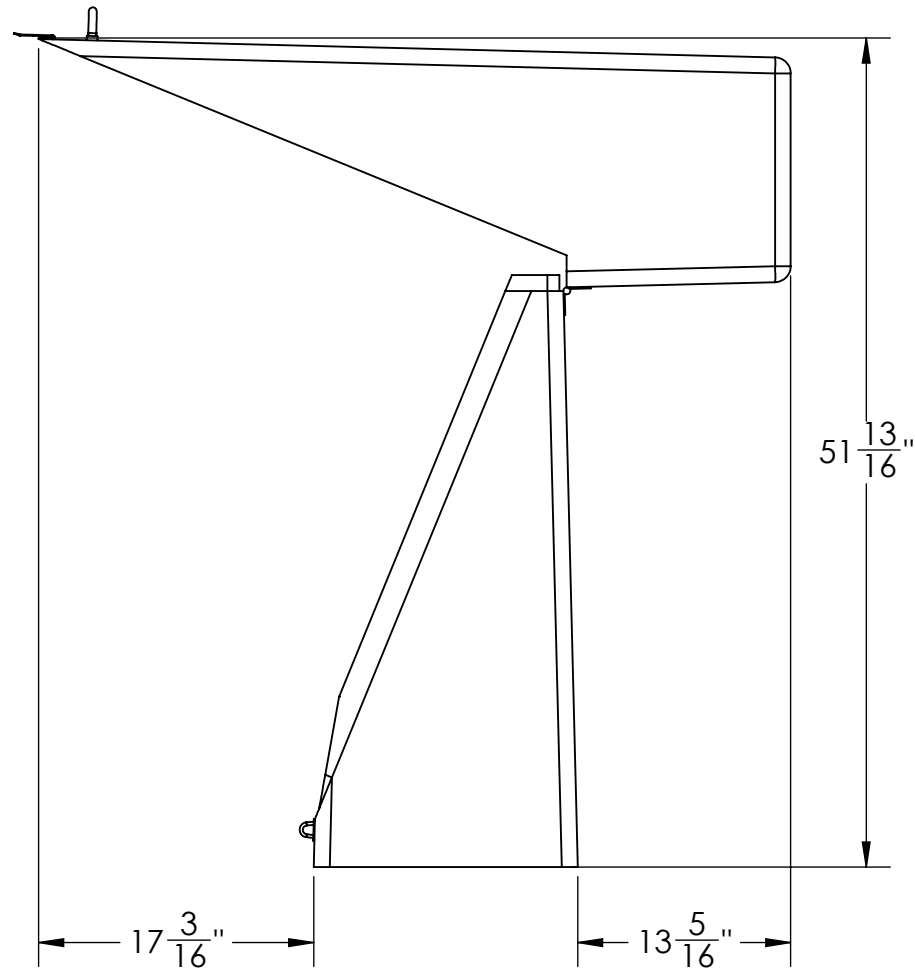
B

A

A



DOOR CLEAR OPENING



DOOR SWING

PROPRIETARY AND CONFIDENTIAL
 THE INFORMATION CONTAINED IN THIS DRAWING IS THE SOLE PROPERTY OF VIRTUAL POLYMER COMPOUNDS. ANY REPRODUCTION IN PART OR AS A WHOLE WITHOUT THE WRITTEN PERMISSION OF VIRTUAL POLYMER COMPOUNDS IS PROHIBITED.

		UNLESS OTHERWISE SPECIFIED:		NAME	DATE
		DIMENSIONS ARE IN INCHES	DRAWN	CD	8/17/2020
		TOLERANCES:	CHECKED	---	---
		FRACTIONAL ±	ENG APPR.	---	---
		ANGULAR: MACH ± BEND ±	MFG APPR.	---	---
		TWO PLACE DECIMAL ±	Q.A.	---	---
		THREE PLACE DECIMAL ±	COMMENTS:		
		INTERPRET GEOMETRIC TOLERANCING PER:			
		MATERIAL:			
		FINISH:			
NEXT ASSY	USED ON				
		APPLICATION			
		DO NOT SCALE DRAWING			

VPC FIBERGLASS Virtual Polymer Compounds VPC Fiberglass
 vpcfiberglass.com 1 800 712 9065 P 118.542.6190
 2427 E. 117th St. - Meriden, CT 06455

TITLE:
ENDURO MODEL 1630 FIBERGLASS ENCLOSURE

SIZE	DWG. NO.	REV
B	M1630	-
SCALE:	WEIGHT:	SHEET 3 OF 3

8

7

6

5

4

3

2

1