

8

7

6

5

4

3

2

1

F

F

E

E

D

D

C

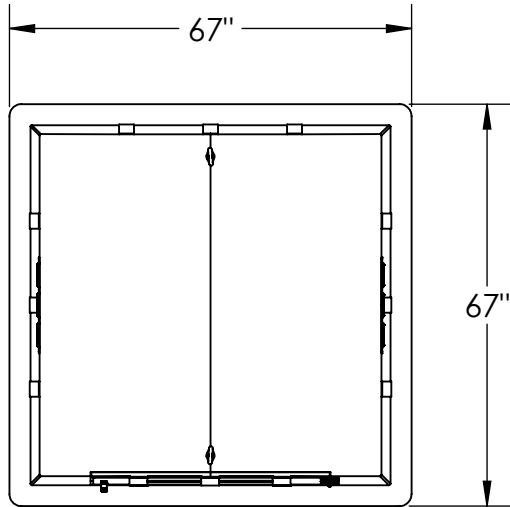
C

B

B

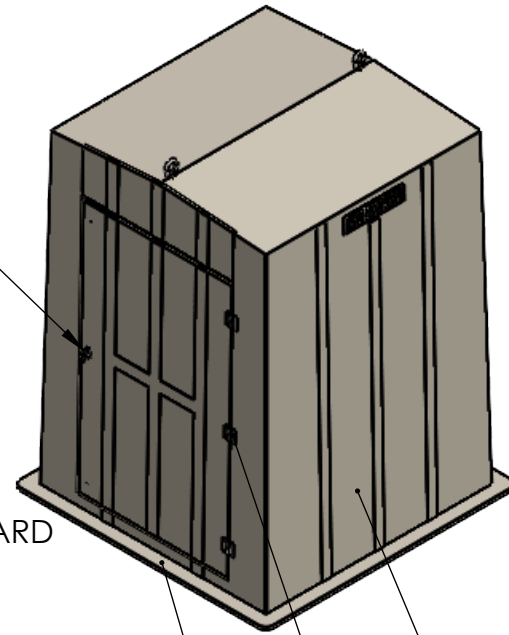
A

A



R7 INSULATION VALUE STANDARD. HIGHER R VALUES AVAILABLE

THREE POINT LOCKING LATCH WITH KEYED HANDLE



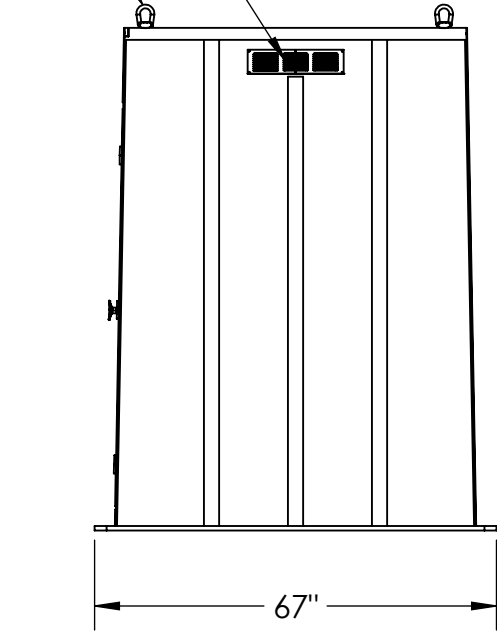
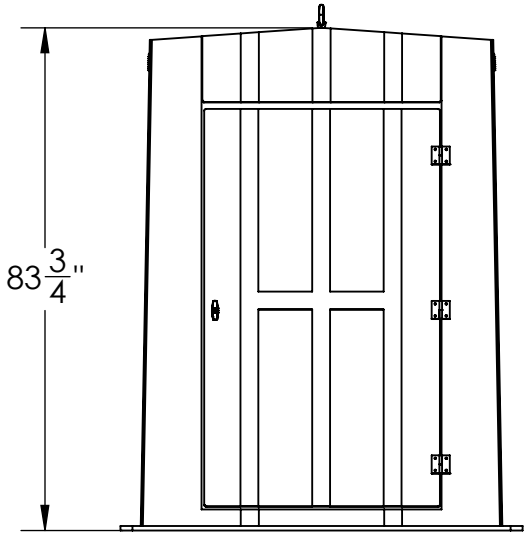
PAIR OF STAINLESS STEEL LIFTING EYES STANDARD

SCREENED FIXED LOUVER VENT STANDARD

4IN WIDE EXTERNAL MOUNTING FLANGE

304SS HINGES AND EXTERNAL HARDWARE

20 MIL POLYESTER BEIGE GELCOAT STANDARD. OTHER RESIN SYSTEMS AND COLORS OPTIONAL.



OPTIONAL FEATURES:

- 3/8" THICK INTEGRAL FIBERGLASS FLOOR
- EQUIPMENT MOUNTING BOARD
- 110V, 60W INCANDESCENT LIGHT WITH WALL SWITCH
- VENTILATION FAN, 60CFM WITH REMOTE THERMOSTAT
- BASEBOARD 500W ELECTRIC HEATER W INTEGRAL THERMOSTAT
- 110/220V LOAD CENTER WITH 100A MAIN AND 4X 20A BREAKERS
- 12"X12" WINDOW IN DOOR

CUSTOM CONFIGURATIONS AVAILABLE!

PROPRIETARY AND CONFIDENTIAL
 THE INFORMATION CONTAINED IN THIS DRAWING IS THE SOLE PROPERTY OF VIRTUAL POLYMER COMPOUNDS. ANY REPRODUCTION IN PART OR AS A WHOLE WITHOUT THE WRITTEN PERMISSION OF VIRTUAL POLYMER COMPOUNDS IS PROHIBITED.

		UNLESS OTHERWISE SPECIFIED:		NAME	DATE
		DIMENSIONS ARE IN INCHES		DRAWN	CD 8/17/2020
		TOLERANCES:		CHECKED	---
		FRACTIONAL ±		ENG APPR.	---
		ANGULAR: MACH ± BEND ±		MFG APPR.	---
		TWO PLACE DECIMAL ±		Q.A.	---
		THREE PLACE DECIMAL ±		COMMENTS:	
		INTERPRET GEOMETRIC TOLERANCING PER:			
		MATERIAL:			
		FINISH:			
NEXT ASSY	USED ON	APPLICATION			
		DO NOT SCALE DRAWING			

		Virtual Polymer Compounds VPC Fiberglass vpc@fiberglass.com 708.512.6100 118.512.6100	
TITLE: ENDURO MODEL 300 FIBERGLASS ENCLOSURE			
SIZE	DWG. NO.	REV	
B	M300	-	
SCALE:	WEIGHT:	SHEET 1 OF 3	

8

7

6

5

4

3

2

1

8

7

6

5

4

3

2

1

F

E

D

C

B

A

F

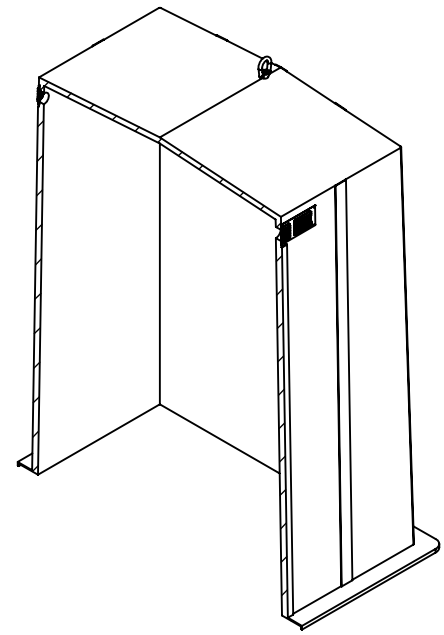
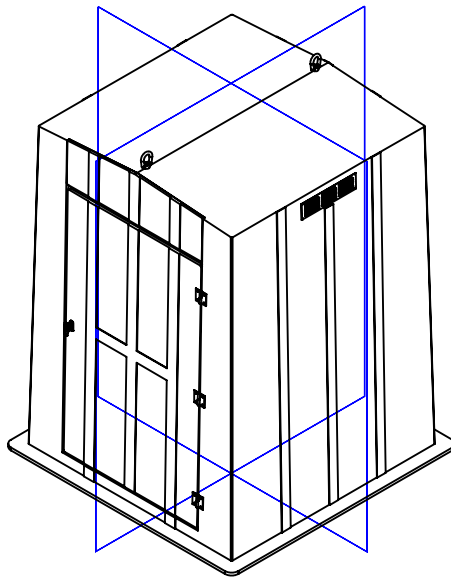
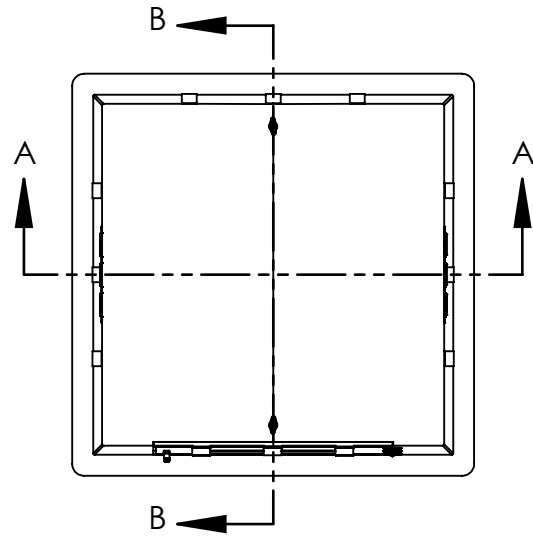
E

D

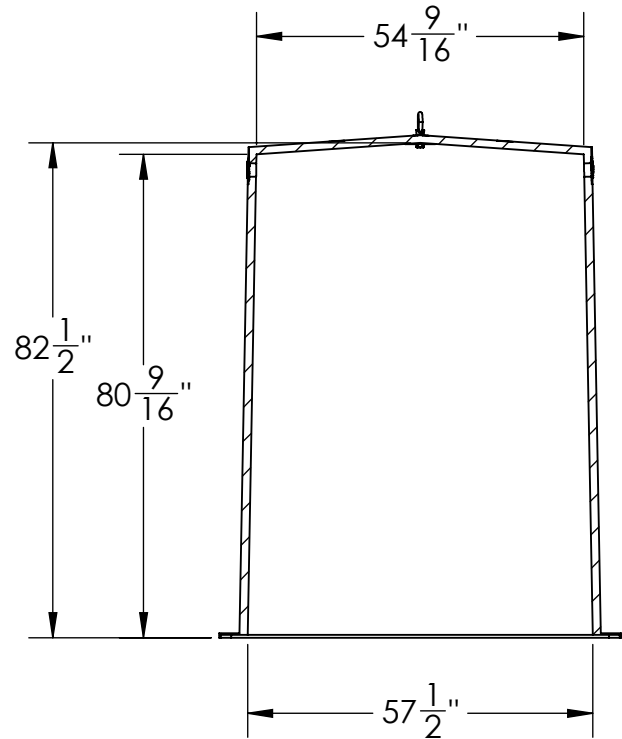
C

B

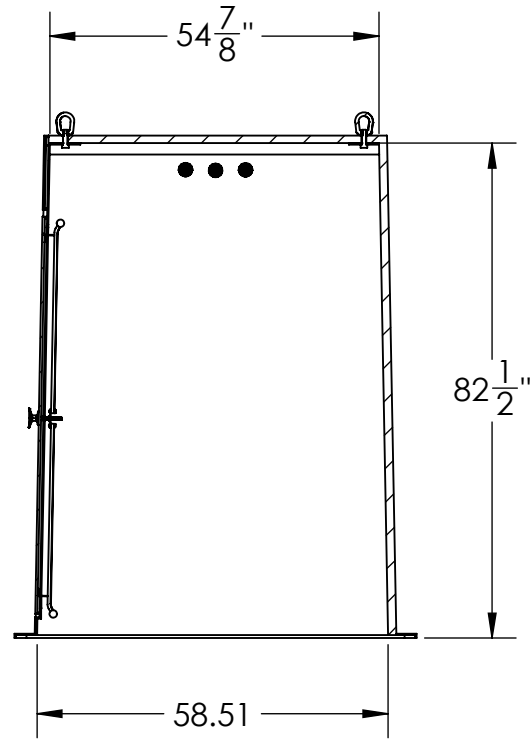
A



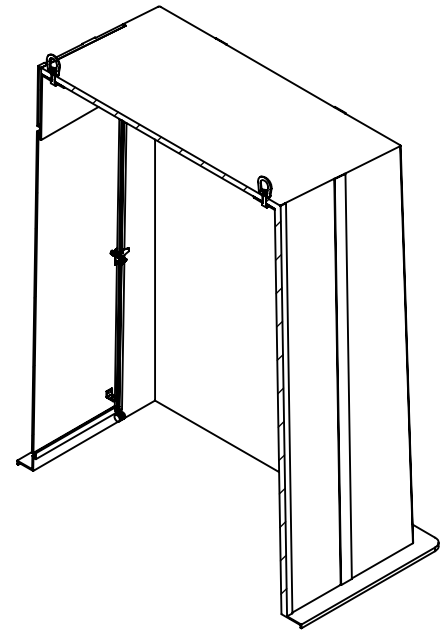
SECTION A-A



SECTION A-A



SECTION B-B



SECTION B-B

PROPRIETARY AND CONFIDENTIAL
 THE INFORMATION CONTAINED IN THIS DRAWING IS THE SOLE PROPERTY OF VIRTUAL POLYMER COMPOUNDS. ANY REPRODUCTION IN PART OR AS A WHOLE WITHOUT THE WRITTEN PERMISSION OF VIRTUAL POLYMER COMPOUNDS IS PROHIBITED.

		UNLESS OTHERWISE SPECIFIED:		NAME	DATE
		DIMENSIONS ARE IN INCHES		DRAWN	CD 8/17/2020
		TOLERANCES:		CHECKED	---
		FRACTIONAL \pm		ENG APPR.	---
		ANGULAR: MACH \pm BEND \pm		MFG APPR.	---
		TWO PLACE DECIMAL \pm		Q.A.	---
		THREE PLACE DECIMAL \pm		COMMENTS:	
		INTERPRET GEOMETRIC TOLERANCING PER:			
		MATERIAL:			
		FINISH:			
NEXT ASSY	USED ON				
APPLICATION		DO NOT SCALE DRAWING			

VPC FIBERGLASS Virtual Polymer Compounds VPC Fiberglass
 vpcfiberglass.com | 1-800-712-9005 | 118.942.6190
 2427 E. 17th St. | Mesa, AZ 85205

TITLE:
ENDURO MODEL 300 FIBERGLASS ENCLOSURE

SIZE	DWG. NO.	REV
B	M300	-
SCALE:	WEIGHT:	SHEET 2 OF 3

8

7

6

5

4

3

2

1

8

7

6

5

4

3

2

1

F

F

E

E

D

D

C

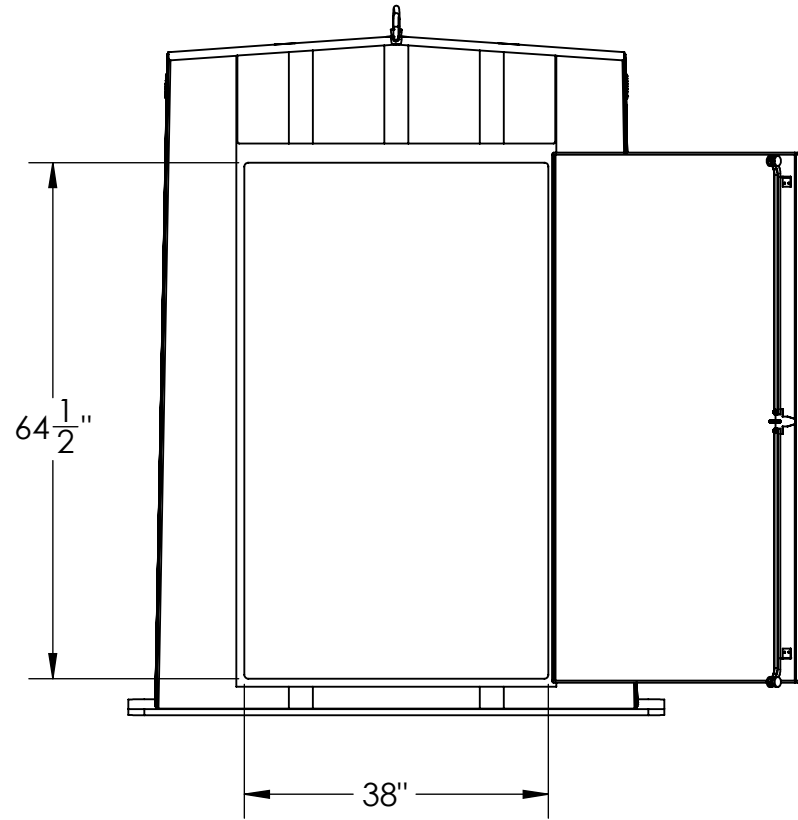
C

B

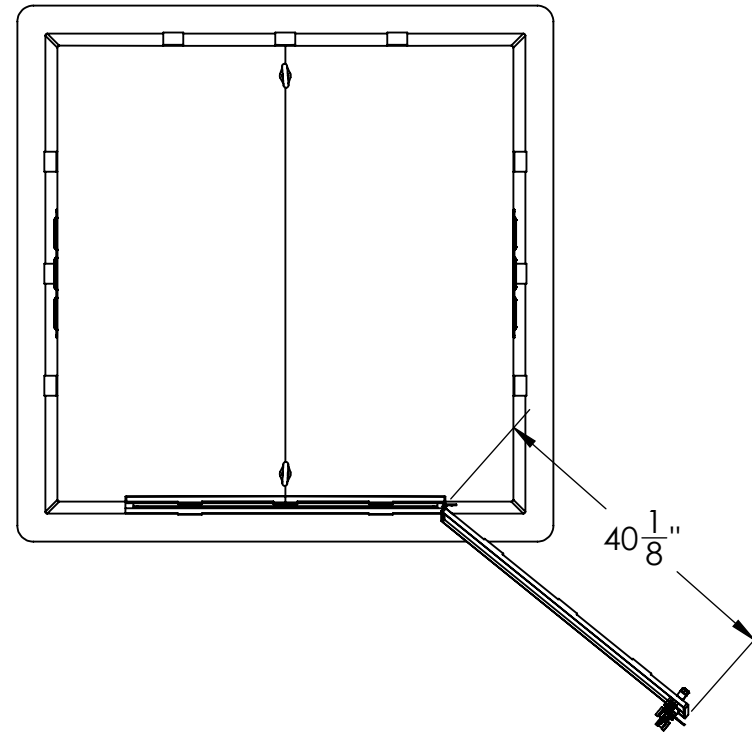
B

A

A



DOOR CLEAR OPENING



DOOR SWING

PROPRIETARY AND CONFIDENTIAL
 THE INFORMATION CONTAINED IN THIS DRAWING IS THE SOLE PROPERTY OF VIRTUAL POLYMER COMPOUNDS. ANY REPRODUCTION IN PART OR AS A WHOLE WITHOUT THE WRITTEN PERMISSION OF VIRTUAL POLYMER COMPOUNDS IS PROHIBITED.

		UNLESS OTHERWISE SPECIFIED:	NAME	DATE
		DIMENSIONS ARE IN INCHES	DRAWN	CD 8/17/2020
		TOLERANCES:	CHECKED	---
		FRACTIONAL ±	ENG APPR.	---
		ANGULAR: MACH ± BEND ±	MFG APPR.	---
		TWO PLACE DECIMAL ±	Q.A.	---
		THREE PLACE DECIMAL ±	COMMENTS:	
		INTERPRET GEOMETRIC TOLERANCING PER:		
		MATERIAL:		
		FINISH:		
NEXT ASSY	USED ON			
APPLICATION		DO NOT SCALE DRAWING		

VPC FIBERGLASS Virtual Polymer Compounds VPC Fiberglass
 vpcfiberglass.com 1 800 717 9005 P 118.542.6190
 2427 E. 10th St. Mesa, AZ 84053

TITLE:
ENDURO MODEL 300 FIBERGLASS ENCLOSURE

SIZE	DWG. NO.	REV
B	M300	-
SCALE:	WEIGHT:	SHEET 3 OF 3

8

7

6

5

4

3

2

1