

8

7

6

5

4

3

2

1

F

E

D

C

B

A

F

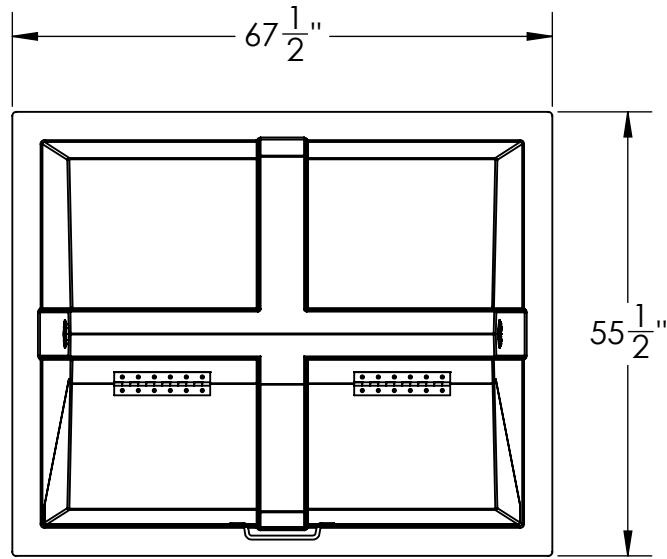
E

D

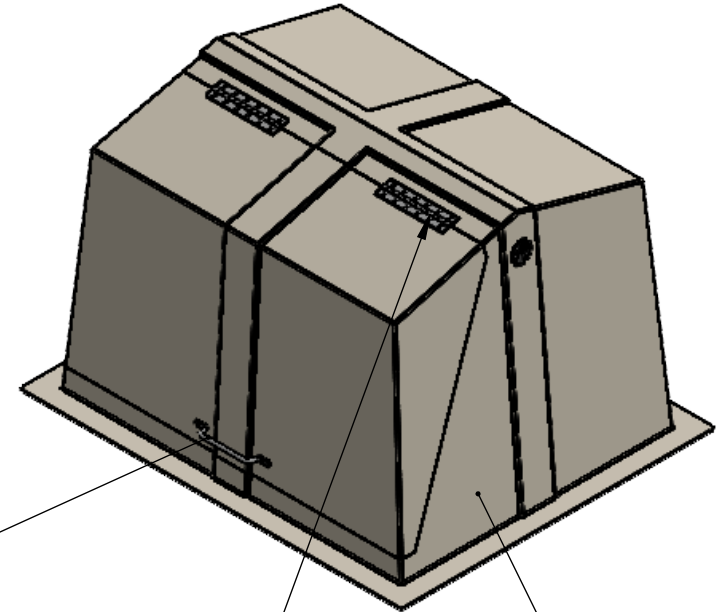
C

B

A



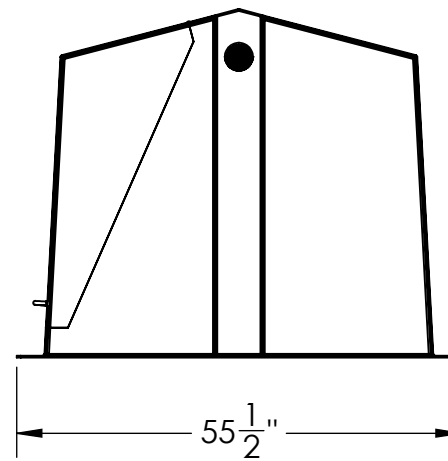
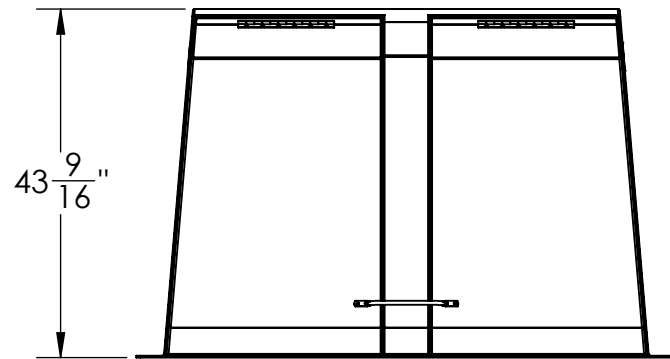
R7 INSULATION VALUE STANDARD.
HIGHER R VALUES AVAILABLE.



LIFTING HANDLE

304SS HINGES AND
EXTERNAL HARDWARE

20 MIL POLYESTER BEIGE GELCOAT
STANDARD. OTHER RESIN SYSTEMS
AND COLORS AVAILABLE



OPTIONAL FEATURES:

- 3/8" THICK INTEGRAL FIBERGLASS FLOOR
- EQUIPMENT MOUNTING BOARD
- 110V 60W INCANDESCENT LIGHT WITH WALL SWITCH
- VENTILATION FAN 60CFM WITH REMOTE THERMOSTAT
- BASEBOARD 500W ELECTRIC HEATER W INTEGRAL THERMOSTAT
- 110/220 V LOAD CENTER W 100A MAIN AND 4X 20A BREAKERS
- 12X12IN WINDOW IN DOOR

CUSTOM CONFIGURATIONS AVAILABLE!

PROPRIETARY AND CONFIDENTIAL

THE INFORMATION CONTAINED IN THIS DRAWING IS THE SOLE PROPERTY OF VIRTUAL POLYMER COMPOUNDS. ANY REPRODUCTION IN PART OR AS A WHOLE WITHOUT THE WRITTEN PERMISSION OF VIRTUAL POLYMER COMPOUNDS IS PROHIBITED.

		UNLESS OTHERWISE SPECIFIED:		NAME	DATE
		DIMENSIONS ARE IN INCHES		DRAWN	CD 8/14/2020
		TOLERANCES:		CHECKED	---
		FRACTIONAL ±		ENG APPR.	---
		ANGULAR: MACH ± BEND ±		MFG APPR.	---
		TWO PLACE DECIMAL ±		Q.A.	---
		THREE PLACE DECIMAL ±		COMMENTS:	
		INTERPRET GEOMETRIC TOLERANCING PER:			
		MATERIAL:			
		FINISH:			
NEXT ASSY	USED ON	APPLICATION			
		DO NOT SCALE DRAWING			

VPC FIBERGLASS		Virtual Polymer Compounds VPC Fiberglass vpc@vpcfg.com 117 965 117 9665 F 118 542 6190 2427 E. 117th St. - Meriden, CT 06455	
TITLE: ENDURO MODEL 400G FIBERGLASS ENCLOSURE			
SIZE B	DWG. NO. M400G	REV -	
SCALE:	WEIGHT:	SHEET 1 OF 3	

8

7

6

5

4

3

2

1

8

7

6

5

4

3

2

1

F

E

D

C

B

A

F

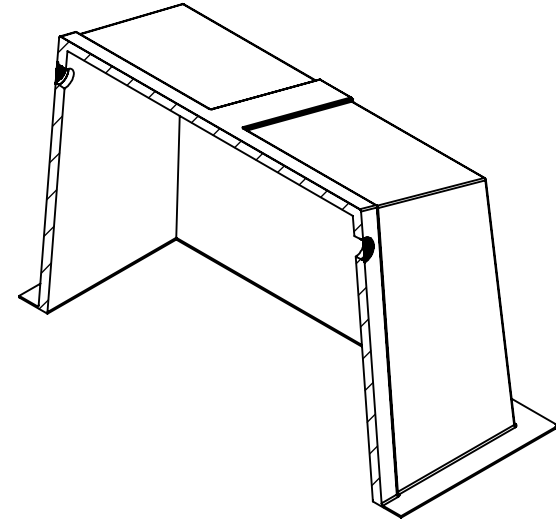
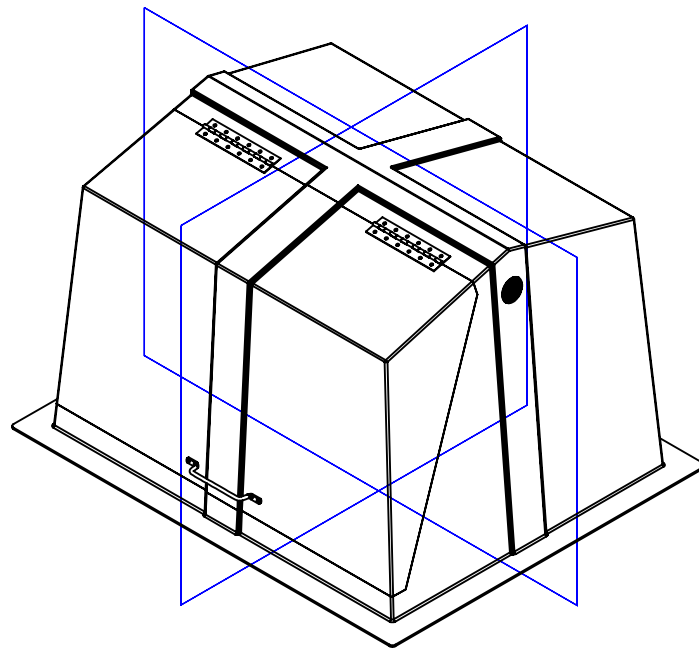
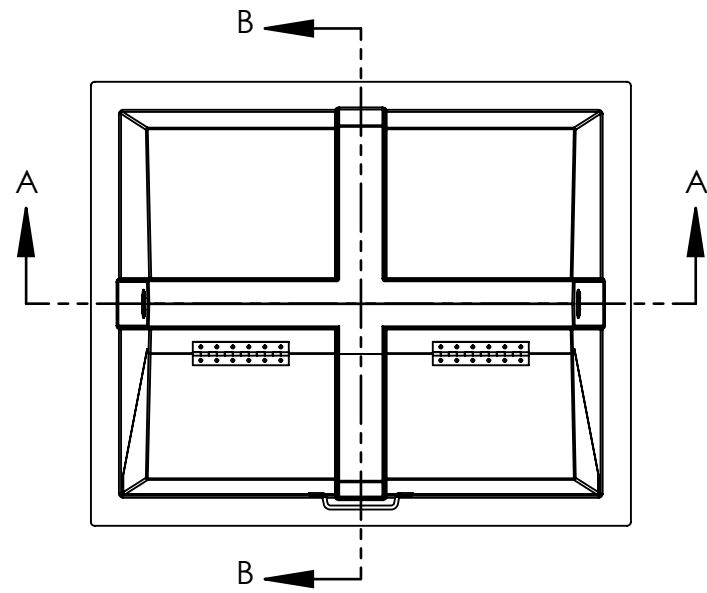
E

D

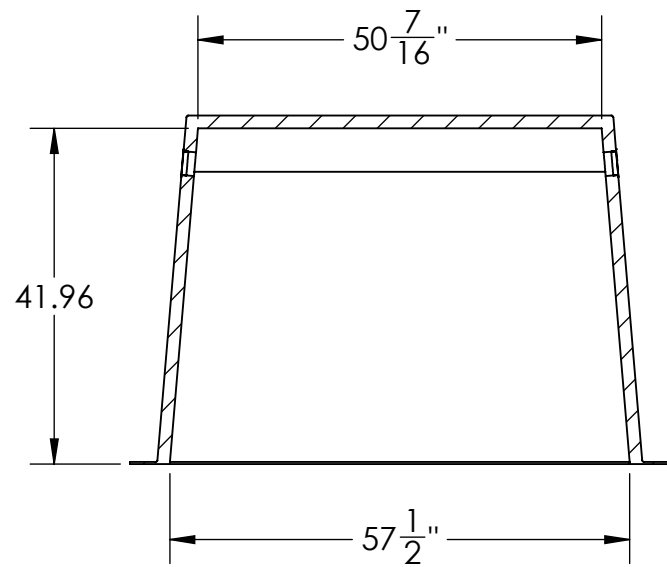
C

B

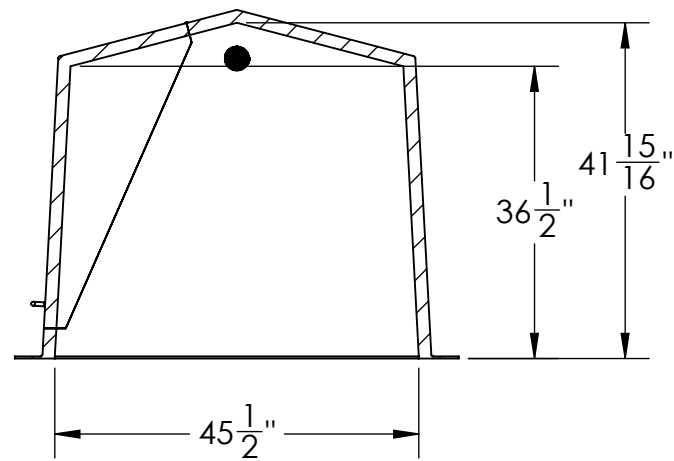
A



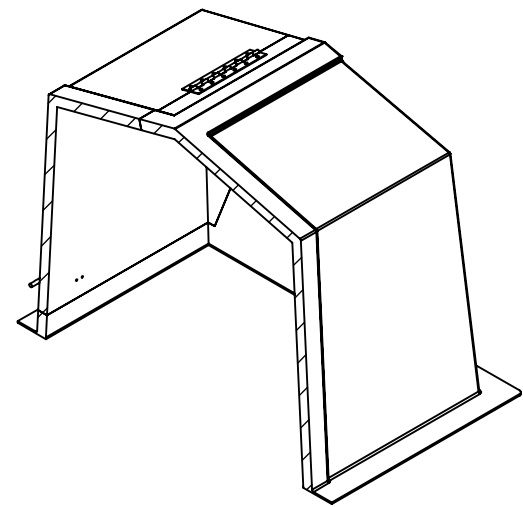
SECTION A-A



SECTION A-A



SECTION B-B



SECTION B-B

PROPRIETARY AND CONFIDENTIAL
 THE INFORMATION CONTAINED IN THIS DRAWING IS THE SOLE PROPERTY OF VIRTUAL POLYMER COMPOUNDS. ANY REPRODUCTION IN PART OR AS A WHOLE WITHOUT THE WRITTEN PERMISSION OF VIRTUAL POLYMER COMPOUNDS IS PROHIBITED.

		UNLESS OTHERWISE SPECIFIED:		NAME	DATE
		DIMENSIONS ARE IN INCHES		DRAWN	CD 8/14/2020
		TOLERANCES:		CHECKED	---
		FRACTIONAL: \pm		ENG APPR.	---
		ANGULAR: MACH \pm BEND \pm		MFG APPR.	---
		TWO PLACE DECIMAL \pm		Q.A.	---
		THREE PLACE DECIMAL \pm		COMMENTS:	
NEXT ASSY	USED ON	INTERPRET GEOMETRIC TOLERANCING PER:			
		MATERIAL:			
		FINISH:			
APPLICATION		DO NOT SCALE DRAWING			

VPC FIBERGLASS
 Virtual Polymer Compounds VPC Fiberglass
 vpcfiberglass.com | 705.729.9065 | 116.542.6790
 2427 B. E. Dr. W. - Waco, TX 76787

TITLE:
ENDURO MODEL 400G FIBERGLASS ENCLOSURE

SIZE	DWG. NO.	REV
B	M400G	-
SCALE:	WEIGHT:	SHEET 2 OF 3

8

7

6

5

4

3

2

1

8

7

6

5

4

3

2

1

F

F

E

E

D

D

C

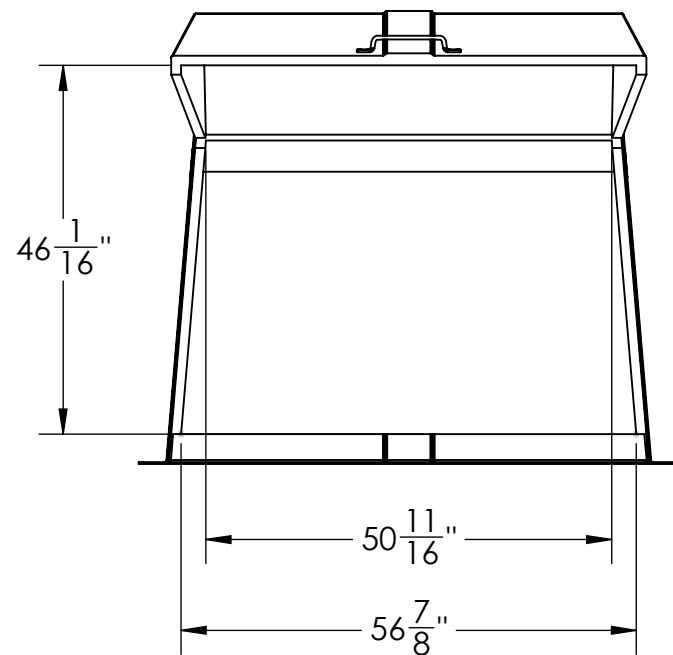
C

B

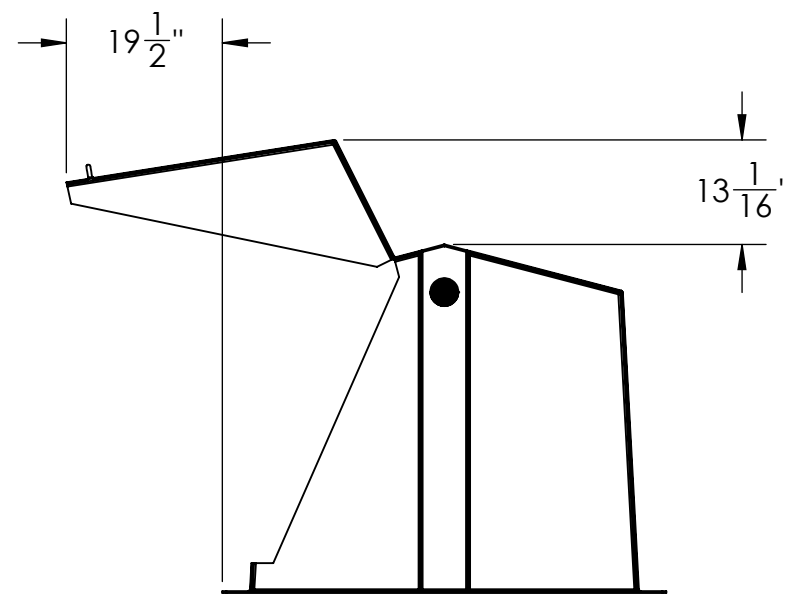
B

A

A




DOOR CLEAR OPENING



DOOR SWING

PROPRIETARY AND CONFIDENTIAL
 THE INFORMATION CONTAINED IN THIS DRAWING IS THE SOLE PROPERTY OF VIRTUAL POLYMER COMPOUNDS. ANY REPRODUCTION IN PART OR AS A WHOLE WITHOUT THE WRITTEN PERMISSION OF VIRTUAL POLYMER COMPOUNDS IS PROHIBITED.

		UNLESS OTHERWISE SPECIFIED:		NAME	DATE	 <small>Virtual Polymer Compounds VPC Fiberglass vpcfiberglass.com 1 800.712.9005 F 718.542.6100 2427 E. 11th St. Mesa, AZ 8405</small>
		DIMENSIONS ARE IN INCHES TOLERANCES: FRACTIONAL ± ANGULAR: MACH ± BEND ± TWO PLACE DECIMAL ± THREE PLACE DECIMAL ±		DRAWN	CD 8/14/2020	
		INTERPRET GEOMETRIC TOLERANCING PER:		CHECKED	---	
		MATERIAL: -		ENG APPR.	---	
		FINISH: -		MFG APPR.	---	
NEXT ASSY	USED ON			Q.A.	---	TITLE: ENDURO MODEL 400G FIBERGLASS ENCLOSURE
APPLICATION		DO NOT SCALE DRAWING		COMMENTS:		
		SIZE	DWG. NO.	REV		
		B	M400G	-		
		SCALE:	WEIGHT:	SHEET 3 OF 3		

8

7

6

5

4

3

2

1