

8

7

6

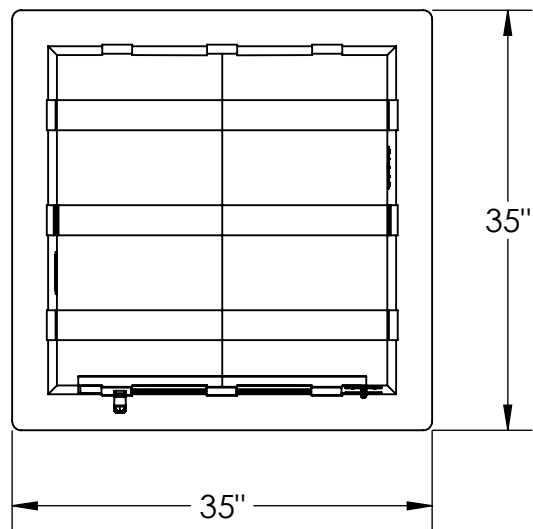
5

4

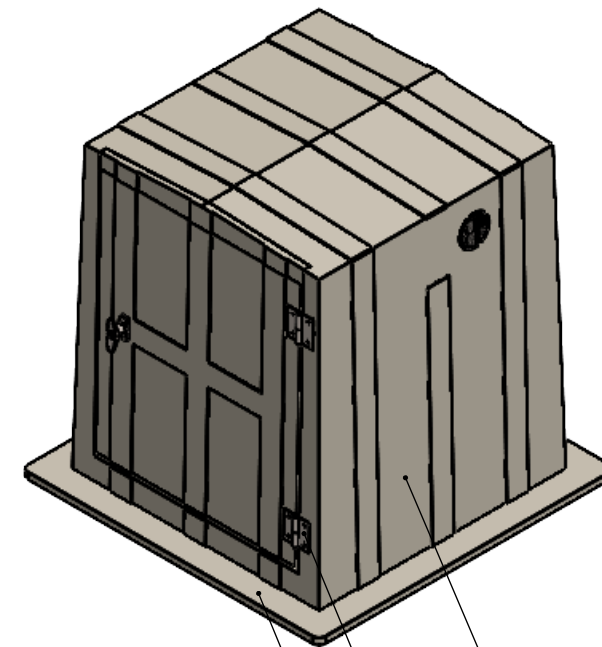
3

2

1



R7 INSULATION VALUE STANDARD,
HIGHER R VALUES AVAILABLE

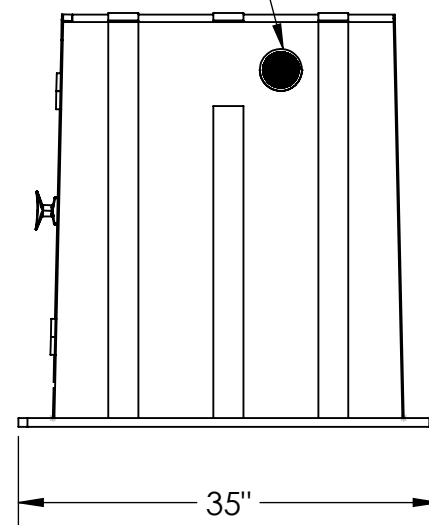
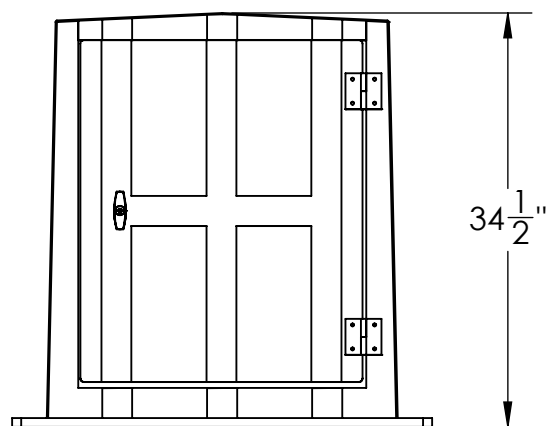


SCREENED FIXED LOUVER
STANDARD

4IN WIDE EXTERNAL
MOUNTING FLANGE

304SS EXTERNAL
MOUNTING HARDWARE

20 MIL POLYESTER GELCOAT.
BEIGE IS STANDARD. CUSTOM
COLORS AVAILABLE



OPTIONAL FEATURES:


- 3/8" THICK INTEGRAL FIBERGLASS FLOOR
- EQUIPMENT MOUNTING BOARD
- 110V, 60W INCANDESCENT LIGHT WITH WALL SWITCH
- VENTILATION FAN, 60CFM WITH REMOTE THERMOSTAT
- BASEBOARD 500W ELECTRIC HEATER W INTEGRAL THERMOSTAT
- 110/220V LOAD CENTER WITH 100A MAIN AND 4X 20A BREAKERS
- 12"X12" WINDOW IN DOOR

CUSTOM CONFIGURATIONS AVAILABLE!

PROPRIETARY AND CONFIDENTIAL

THE INFORMATION CONTAINED IN THIS DRAWING IS THE SOLE PROPERTY OF VIRTUAL POLYMER COMPOUNDS. ANY REPRODUCTION IN PART OR AS A WHOLE WITHOUT THE WRITTEN PERMISSION OF VIRTUAL POLYMER COMPOUNDS IS PROHIBITED.

		UNLESS OTHERWISE SPECIFIED:		NAME	DATE
		DIMENSIONS ARE IN INCHES		DRAWN	CD 8/14/2020
		TOLERANCES:		CHECKED	---
		FRACTIONAL ±		ENG APPR.	---
		ANGULAR: MACH ± BEND ±		MFG APPR.	---
		TWO PLACE DECIMAL ±		Q.A.	---
		THREE PLACE DECIMAL ±		COMMENTS:	
		INTERPRET GEOMETRIC TOLERANCING PER:			
		MATERIAL:			
		FINISH:			
NEXT ASSY	USED ON	APPLICATION			
		DO NOT SCALE DRAWING			



VPC FIBERGLASS

Virtual Polymer Compounds VPC Fiberglass
vpcfiberglass.com 1 800.712.9005 F 216.542.6100
5427 E. 117th St. - Mason, OH 45040

TITLE:

ENDURO MODEL 50 FIBERGLASS ENCLOSURE

SIZE **B**

SCALE:

DWG. NO. M50

WEIGHT:

REV -

SHEET 1 OF 3

8

7

6

5

4

3

2

1

F

E

D

C

B

A

F

E

D

C

B

A

8

7

6

5

4

3

2

1

F

E

D

C

B

A

F

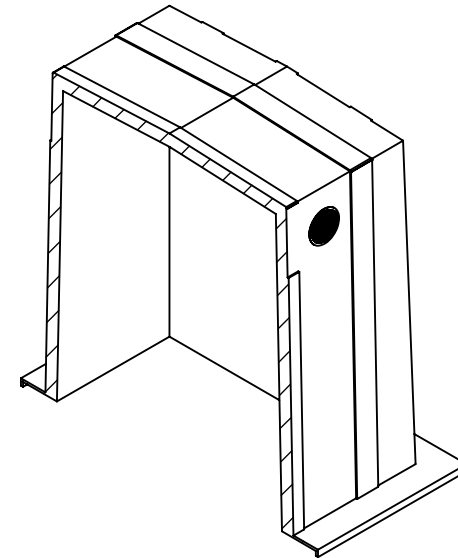
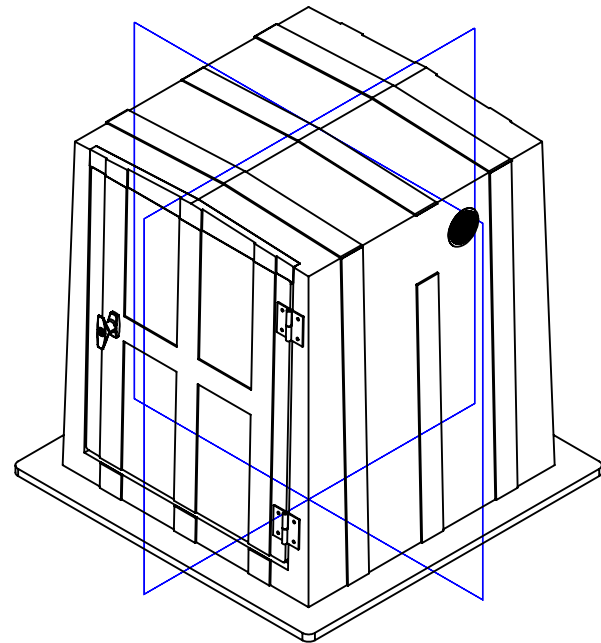
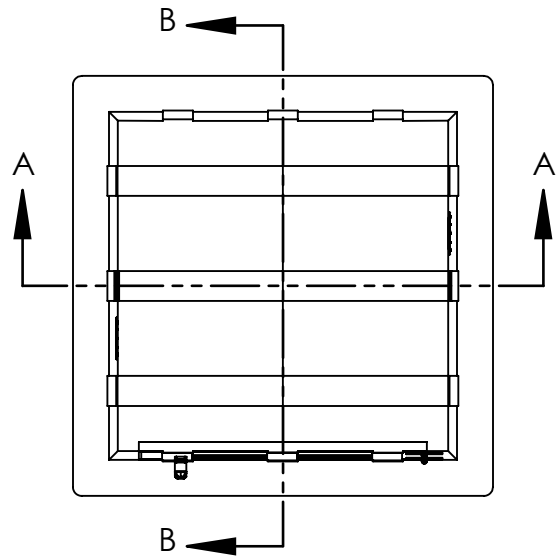
E

D

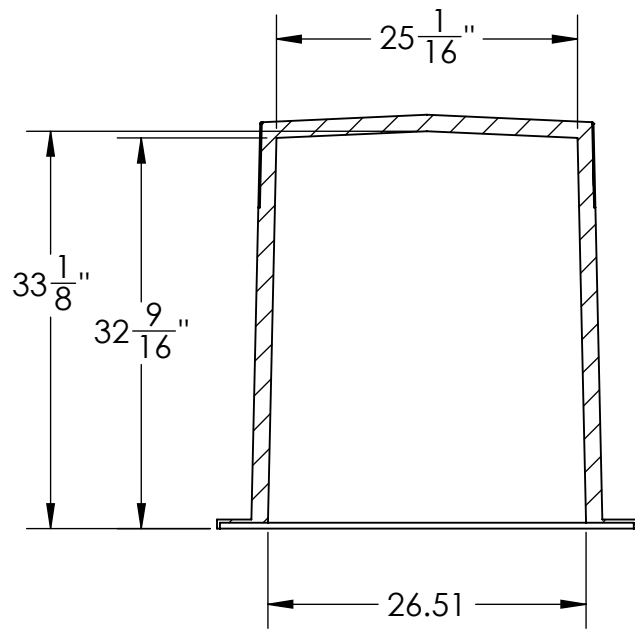
C

B

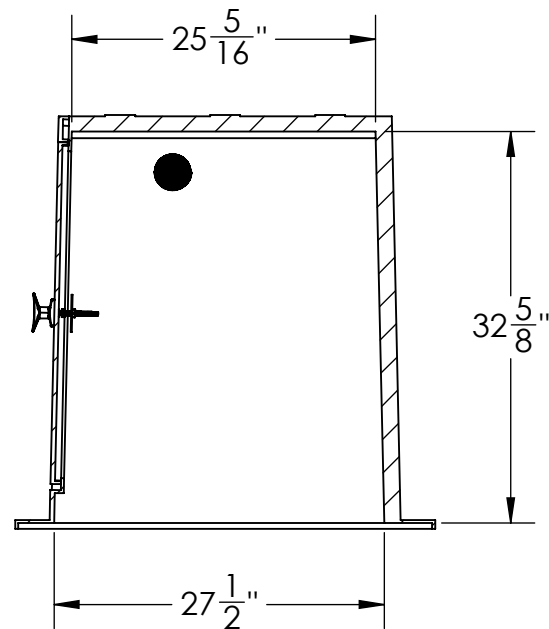
A



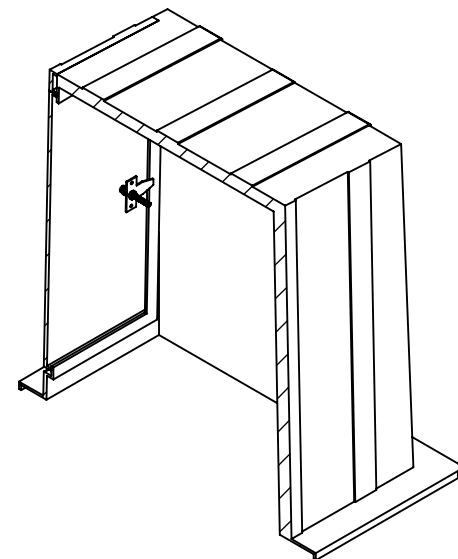
SECTION A-A



SECTION A-A




SECTION B-B



SECTION B-B

PROPRIETARY AND CONFIDENTIAL
 THE INFORMATION CONTAINED IN THIS DRAWING IS THE SOLE PROPERTY OF VIRTUAL POLYMER COMPOUNDS. ANY REPRODUCTION IN PART OR AS A WHOLE WITHOUT THE WRITTEN PERMISSION OF VIRTUAL POLYMER COMPOUNDS IS PROHIBITED.

		UNLESS OTHERWISE SPECIFIED:		NAME	DATE	 <small>Virtual Polymer Compounds VPC Fiberglass vpcfiberglass.com 1 800 717 9005 E 118.542.6790 2427 E. 117th St. - Meriden, CT 06455</small>
		DIMENSIONS ARE IN INCHES TOLERANCES: FRACTIONAL \pm ANGULAR: MACH \pm BEND \pm TWO PLACE DECIMAL \pm THREE PLACE DECIMAL \pm		DRAWN	CD	
		INTERPRET GEOMETRIC TOLERANCING PER:		CHECKED	---	---
		MATERIAL:		ENG APPR.	---	---
		FINISH:		MFG APPR.	---	---
NEXT ASSY	USED ON			Q.A.	---	---
APPLICATION		DO NOT SCALE DRAWING		COMMENTS:		
				TITLE:		ENDURO MODEL 50 FIBERGLASS ENCLOSURE
		SIZE	DWG. NO.	REV		
		B	M50	-		
		SCALE:	WEIGHT:	SHEET 2 OF 3		

8

7

6

5

4

3

2

1

8

7

6

5

4

3

2

1

F

F

E

E

D

D

C

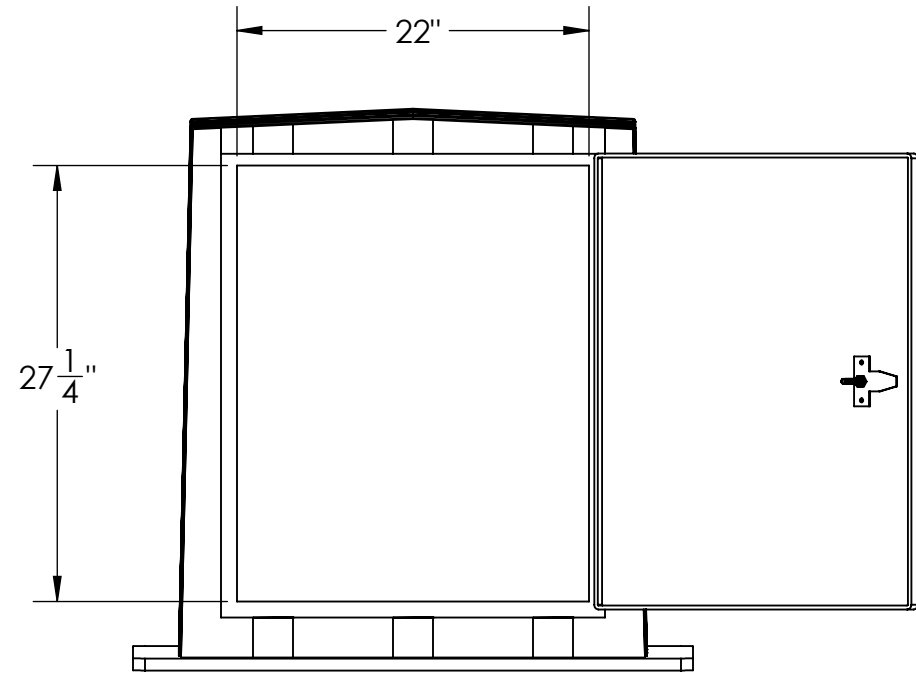
C

B

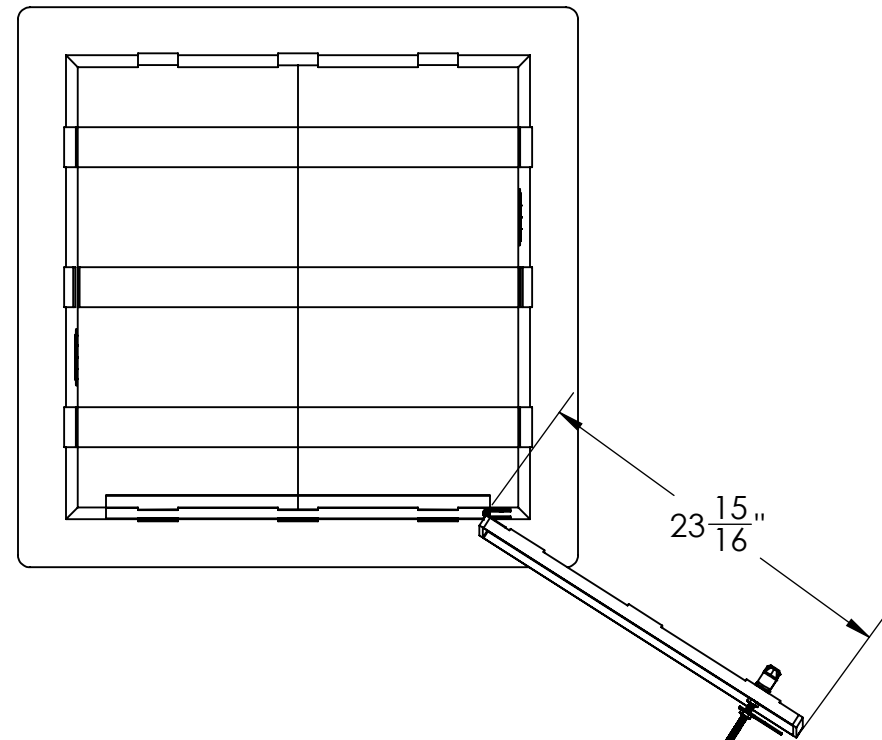
B

A

A




DOOR CLEAR OPENING



DOOR SWING

PROPRIETARY AND CONFIDENTIAL
 THE INFORMATION CONTAINED IN THIS DRAWING IS THE SOLE PROPERTY OF VIRTUAL POLYMER COMPOUNDS. ANY REPRODUCTION IN PART OR AS A WHOLE WITHOUT THE WRITTEN PERMISSION OF VIRTUAL POLYMER COMPOUNDS IS PROHIBITED.

		UNLESS OTHERWISE SPECIFIED:	NAME	DATE	 <small>Virtual Polymer Compounds VPC Fiberglass vpcfiberglass.com 865.717.9065 116.542.6190 2427 E. IIR Way, Mesa, AZ 85205</small>	
		DIMENSIONS ARE IN INCHES	DRAWN	CD		8/14/2020
		TOLERANCES:	CHECKED	---		---
		FRACTIONAL ±	ENG APPR.	---		---
		ANGULAR: MACH ± BEND ±	MFG APPR.	---		---
		TWO PLACE DECIMAL ±	Q.A.	---		---
		THREE PLACE DECIMAL ±	COMMENTS:			
		INTERPRET GEOMETRIC TOLERANCING PER:				
		MATERIAL:				
		FINISH:				
NEXT ASSY	USED ON				SIZE B DWG. NO. M50 REV -	
APPLICATION		DO NOT SCALE DRAWING			SCALE: WEIGHT: SHEET 3 OF 3	