

8

7

6

5

4

3

2

1

F

F

E

E

D

D

C

C

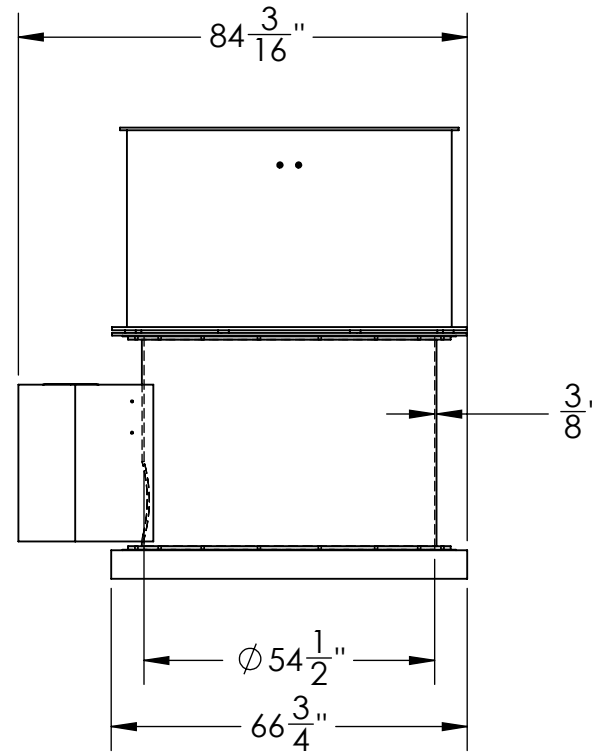
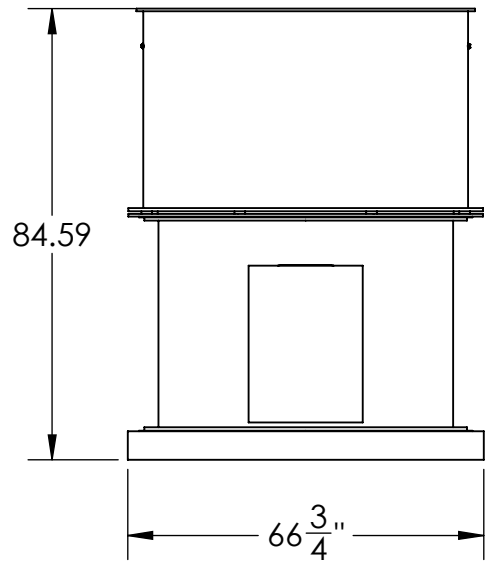
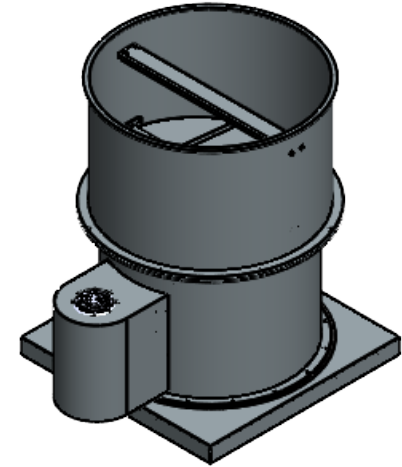
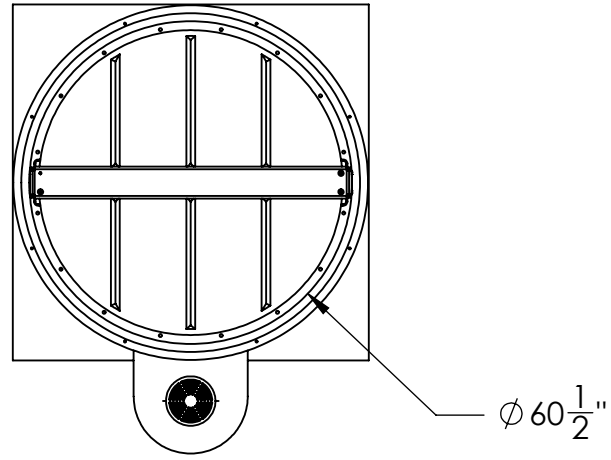
B

B

A

A

- NOTES:
- VINYL ESTER RESIN CONSTRUCTION
 - 316SS HARDWARE AND SHAFT
 - V BELT DRIVE
 - EPDM SHAFT SEAL
 - UV INHIBITOR ON EXTERIOR
 - C-VEIL ON AIRSTREAM
 - STD GRAY EXTERIOR



PROPRIETARY AND CONFIDENTIAL
 THE INFORMATION CONTAINED IN THIS DRAWING IS THE SOLE PROPERTY OF VIRTUAL POLYMER COMPOUNDS. ANY REPRODUCTION IN PART OR AS A WHOLE WITHOUT THE WRITTEN PERMISSION OF VIRTUAL POLYMER COMPOUNDS IS PROHIBITED.

		UNLESS OTHERWISE SPECIFIED:	NAME	DATE
		DIMENSIONS ARE IN INCHES	DRAWN	CD
		TOLERANCES:	CHECKED	---
		FRACTIONAL \pm	ENG APPR.	---
		ANGULAR: MACH \pm BEND \pm	MFG APPR.	---
		TWO PLACE DECIMAL \pm	Q.A.	---
		THREE PLACE DECIMAL \pm	COMMENTS:	
		INTERPRET GEOMETRIC TOLERANCING PER:		
		MATERIAL:		
		FINISH:		
NEXT ASSY	USED ON			
APPLICATION		DO NOT SCALE DRAWING		

CFT COMPOSITE FAN TECHNOLOGY

TITLE:
54 TAUB GENERAL ASSEMBLY DRAWING

SIZE	DWG. NO.	REV
B		-
SCALE:	WEIGHT:	SHEET 1 OF 2

8

7

6

5

4

3

2

1

8

7

6

5

4

3

2

1

F

F

E

E

D

D

C

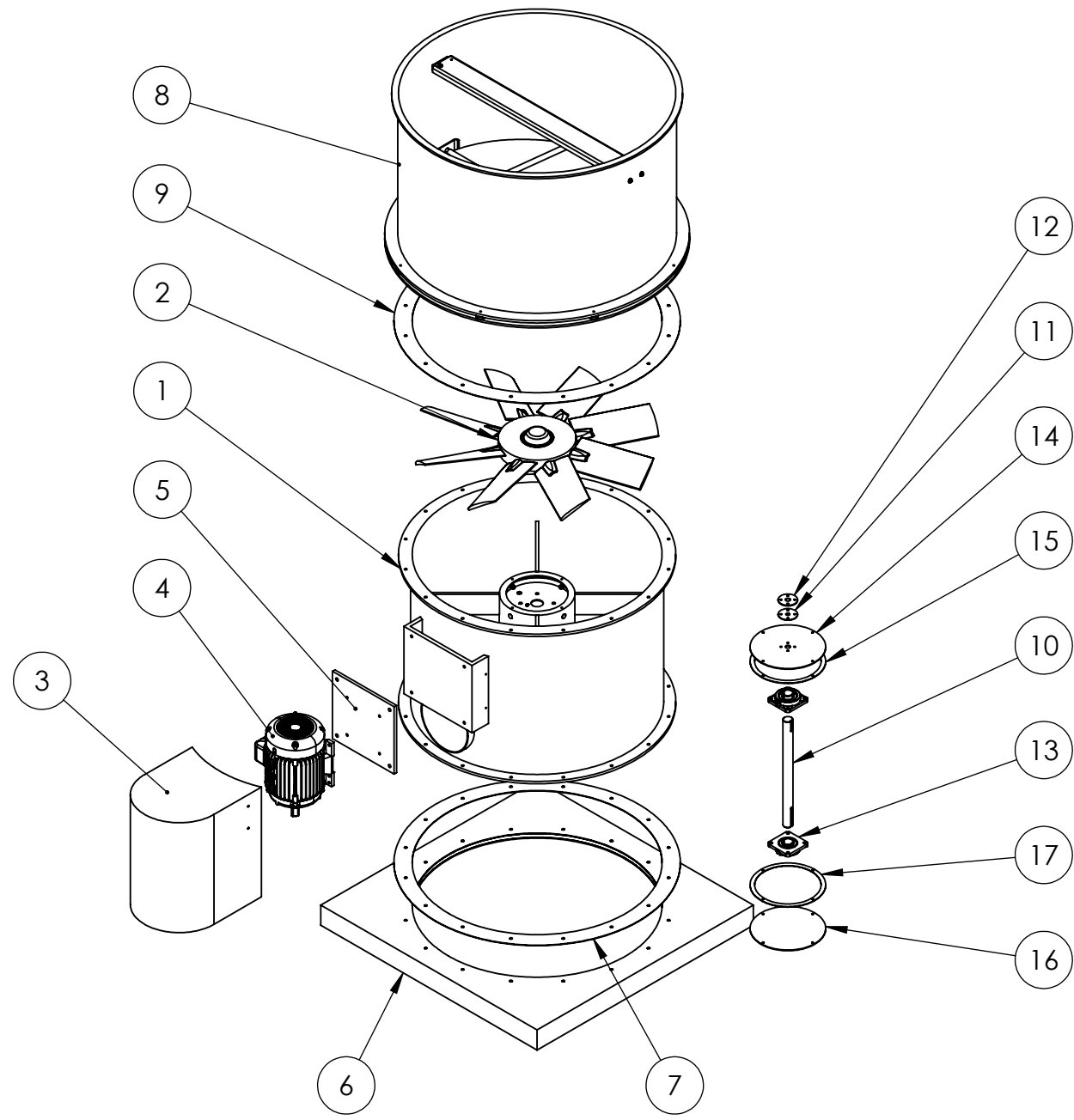
C

B

B

A

A



ITEM NO.	DESCRIPTION
1	HOUSING
2	WHEEL
3	WEATHER COVER
4	MOTOR
5	MOTOR PLATE
6	ROOF CURB
7	ROOF CURB GASKET
8	STACK CAP
9	STACK CAP GASKET
10	SHAFT
11	SHAFT SEAL
12	SHAFT SEAL COVER PLATE
13	BEARING
14	UPPER COVER PLATE
15	UPPER COVER PLATE GASKET
16	LOWER COVER PLATE
17	LOWER COVER PLATE GASKET

PROPRIETARY AND CONFIDENTIAL
 THE INFORMATION CONTAINED IN THIS DRAWING IS THE SOLE PROPERTY OF VIRTUAL POLYMER COMPOUNDS. ANY REPRODUCTION IN PART OR AS A WHOLE WITHOUT THE WRITTEN PERMISSION OF VIRTUAL POLYMER COMPOUNDS IS PROHIBITED.

		UNLESS OTHERWISE SPECIFIED:		NAME	DATE
		DIMENSIONS ARE IN INCHES		DRAWN	CD 2/23/21
		TOLERANCES:		CHECKED	---
		FRACTIONAL ±		ENG APPR.	---
		ANGULAR: MACH ± BEND ±		MFG APPR.	---
		TWO PLACE DECIMAL ±		Q.A.	---
		THREE PLACE DECIMAL ±		COMMENTS:	
		INTERPRET GEOMETRIC TOLERANCING PER:			
		MATERIAL:			
		FINISH:			
NEXT ASSY	USED ON				
APPLICATION		DO NOT SCALE DRAWING			

CFT COMPOSITE FAN TECHNOLOGY

TITLE:
54 TAUB GENERAL ASSEMBLY DRAWING

SIZE	DWG. NO.	REV
B		-

SCALE: WEIGHT: SHEET 2 OF 2

8

7

6

5

4

3

2

1