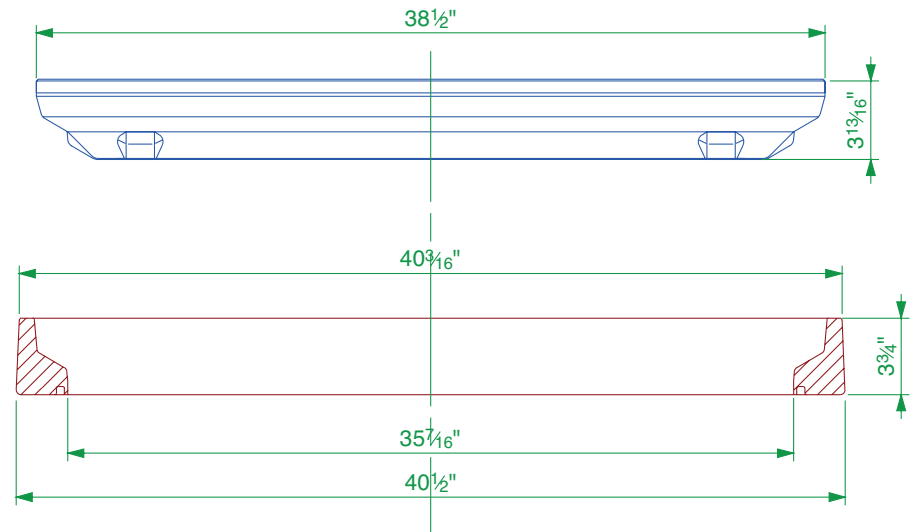
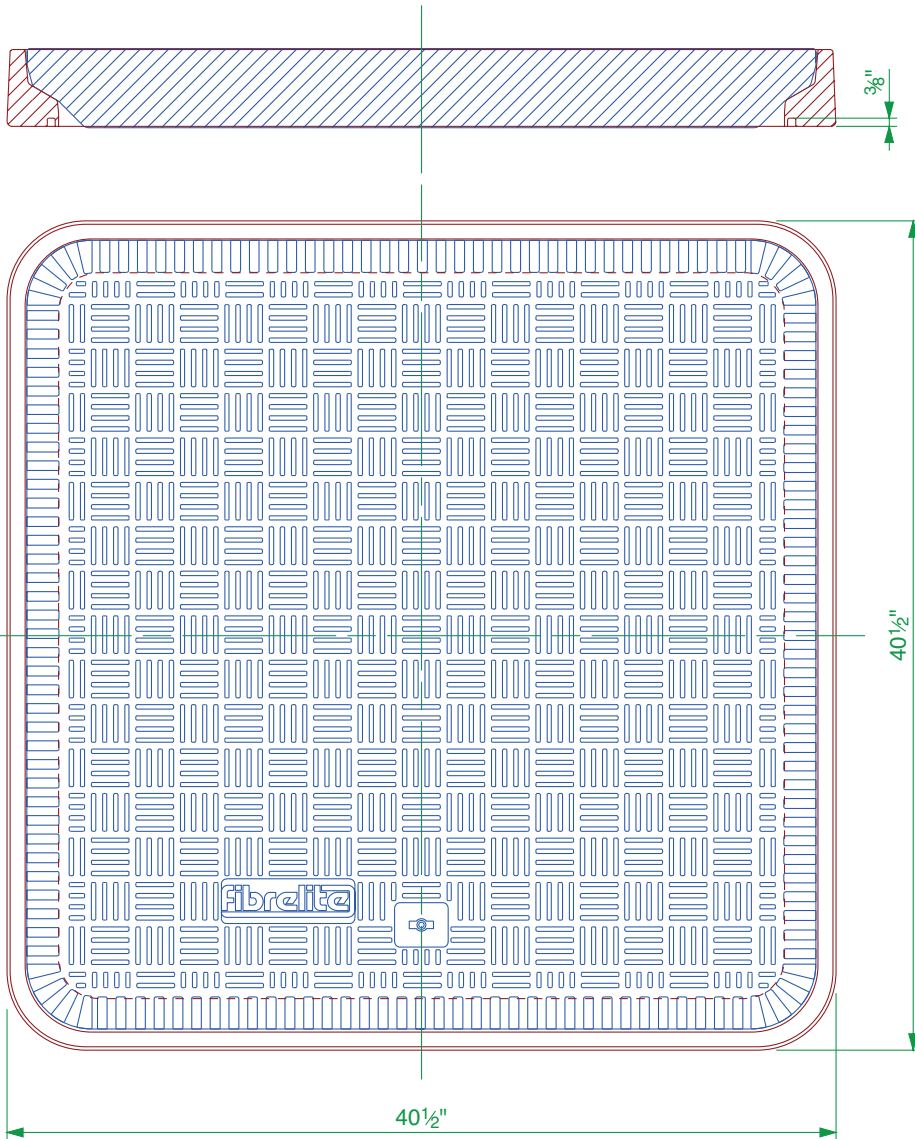


36" square flat sealed composite cover with an aluminum frame.

For reference purposes only. This drawing is not a specification. Order against product code only. To enable continuous improvement of our products, the designs and specifications are subject to change without notice.

**FIBRELITE**   
PART OF OPW A  COMPANY



Load Rating	Cover Weight	Frame Weight
LD	62 lbs	35 lbs
SD	99 lbs	35 lbs
HD	143 lbs	35 lbs

36" square flat sealed composite cover with an aluminum frame.

For reference purposes only. This drawing is not a specification. Order against product code only. To enable continuous improvement of our products, the designs and specifications are subject to change without notice.



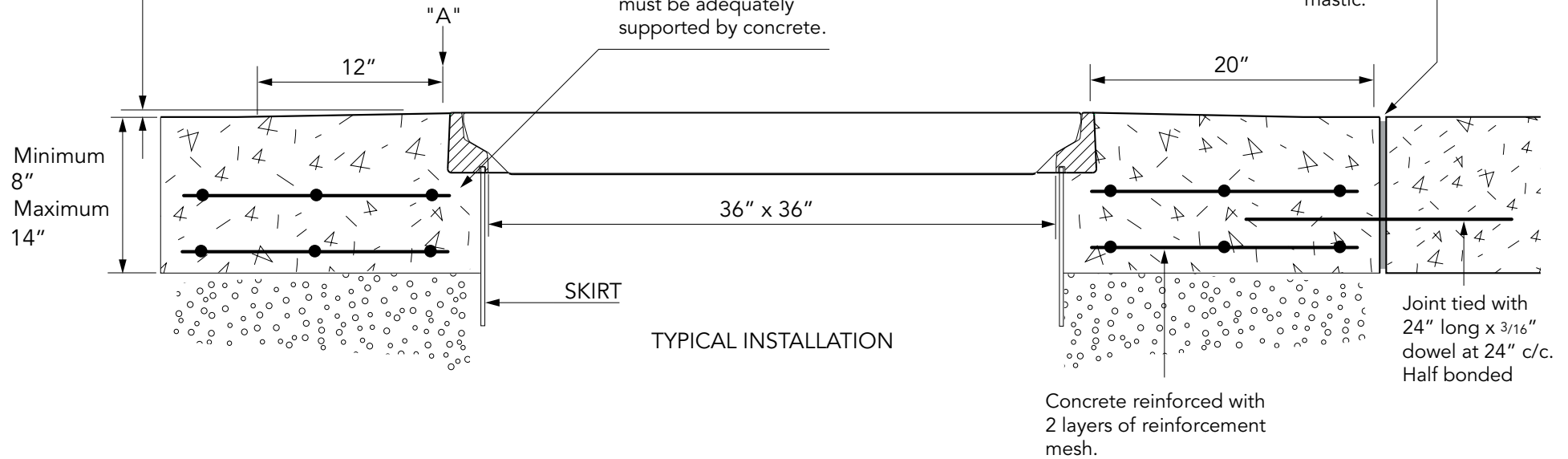
# CONCRETE

## VERY IMPORTANT

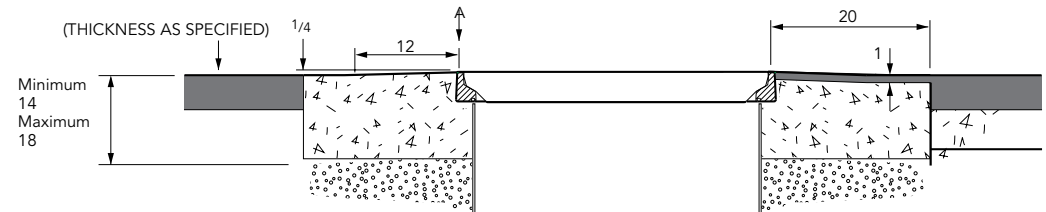
OUTER EDGE "A" OF FRAME SET 1/4" - 1/2" ABOVE GENERAL GRADE AREA WITH CONCRETE RAMPED AWAY OVER 12".

VERY IMPORTANT  
The underside of the frame must be adequately supported by concrete.

Expansion joint filled with petrol resistant mastic.



# TARMACADAM



36" square flat sealed composite cover with an aluminum frame.

For reference purposes only. This drawing is not a specification. Order against product code only. To enable continuous improvement of our products, the designs and specifications are subject to change without notice.

