



**VPC**  
**FIBERGLASS**

COMPOSITE FAN TECHNOLOGY DIVISION

# ***FIBERGLASS***

## **Industrial Ventilation Solutions**

FRP Fans  
Louvers & Dampers  
FRP Duct

# ABOUT VPC FIBERGLASS - AN AMERICAN MANUFACTURING COMPANY

Virtual Polymer Compounds operates multiple production facilities in New York State and comprises a team of fiberglass fabricators with hundreds of years of combined experience. From our skilled sales leaders to our first-rate engineering staff, every employee at VPC Fiberglass is trained with extensive knowledge in composite and HVAC technology.

Our high-quality fiberglass product line includes fans, fan accessories, ductwork, and additionally, flumes, shelters, metering manhole systems, and more. We are an experienced supplier to industrial and municipal water and wastewater markets and serve both government and commercial customers.

## DESIGNED TO PERFORM IN CORROSIVE AND NOXIOUS ENVIRONMENTS

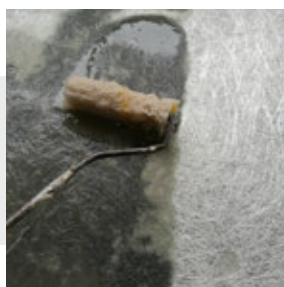
VPC Fiberglass manufactures a complete line of fiberglass fans for its Composite Fan Technology product line. Our fans are designed to achieve maximum corrosion resistance while offering rugged construction, ease of maintenance, and efficient operation.

The fiber-reinforced plastic (FRP) fan is well recognized for its proven success in handling a wide range of corrosive applications, notably in the chemical processing industry and wastewater treatment plants.



ISO 9001 Compliant

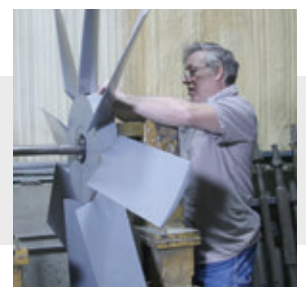
### QUALITY



### EFFICIENCY



### SERVICE



# Fiberglass Backward Inclined Centrifugal Fans

SUPERIOR CORROSION RESISTANCE • MADE IN THE USA

## About VPC Fans

VPC Fiberglass manufactures a complete line of fiberglass fans for its Composite Fan Technology product line. Our fans are designed to achieve maximum corrosion resistance while offering rugged construction, ease of maintenance, and efficient operation. The fiber-reinforced plastic (FRP) fan is well recognized for its proven success in handling a wide range of corrosive applications, notably in the chemical processing industry and wastewater treatment plants.



## Standard Features: **MODEL BIC**

**Size:** 16 sizes available (12" to 66")

**Capacities:** Up to 90,000 CFM

**Pressures:** Up to 10" SP

**Color:** Standard finish is gray. Additional colors available upon request.

- Solid fiberglass wheel and housing constructed out of premium grade vinyl ester resin
- All resin is fire retardant with a Class I flame spread of 25 or less per ASTM E-84
- C-glass surface veil on airstream surfaces
- Exterior gel coat contains UV inhibitor
- EPDM double lip shaft seal
- 316 SST shaft and hardware
- V-belt drive with 1.5 S.F. minimum
- Heavy-duty pillow block bearings
- 1" NPT drain at low point
- 304 belt and shaft guards or FRP guard
- TEFC premium efficient motor

### **Design & Support Services:**

We offer engineering and design support to ensure a fan that meets the requirements for your application.

## Optional Accessories

Static Grounding of Airstream, Disconnect Switches, Channel Base, Vibration Isolators, Access Door, FRP Weather Covers, Housing Split, Inlet/Outlet Guards, Exotic Shaft Material and/or Hardware Available, Custom Colors, Synthetic Surface Veil, Inlet/Outlet Transitions, and Custom Formulations Available Upon Request.

## Virtual Polymer Compounds | VPC Fiberglass

PH 585.735.9668 FX 585.735.9965  
2410 North Forest Road  
Getzville, NY 14068

Production Facility  
222 South Niagara St.  
Lockport, NY 14094

Production Facility  
10478 Ridge Road  
Medina, NY 14103



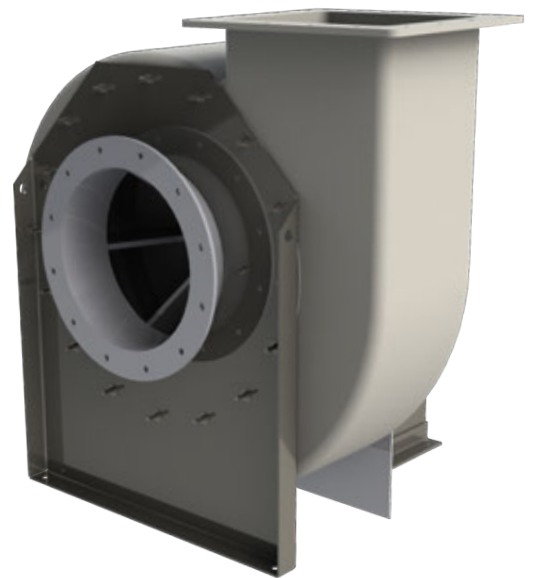


# Fiberglass Radial Blade Centrifugal Fan

SUPERIOR CORROSION RESISTANCE • MADE IN THE USA

## About VPC Fans

VPC Fiberglass manufactures a complete line of fiberglass fans for its Composite Fan Technology product line. Our fans are designed to achieve maximum corrosion resistance while offering rugged construction, ease of maintenance, and efficient operation. The fiber-reinforced plastic (FRP) fan is well recognized for its proven success in handling a wide range of corrosive applications, notably in the chemical processing industry and wastewater treatment plants.



## Standard Features: **MODEL RBC**

**Size:** 16 sizes available (12" to 66")

**Capacities:** Up to 90,000 CFM

**Pressures:** Up to 20" SP

**Color:** Standard finish is gray. Additional colors available upon request.

- Solid fiberglass wheel and housing constructed out of premium grade vinyl ester resin
- All resin is fire retardant with a Class I flame spread of 25 or less per ASTM E-84
- C-glass surface veil on airstream surfaces
- Exterior gel coat contains UV inhibitor
- EPDM double lip shaft seal
- 316 SST shaft (belt drive only) and hardware
- V-belt drive with 1.5 S.F. minimum
- Heavy-duty bearings
- 1" NPT drain at low point
- 304 belt and shaft guards or FRP guard
- TEFC premium efficient motor

### Design & Support Services:

We offer engineering and design support to ensure a fan that meets the requirements for your application.

## Optional Accessories

Static Grounding of Airstream, Disconnect Switches, Channel Base, Vibration Isolators, Access Door, FRP Weather Covers, Housing Split, Inlet/Outlet Guards, Exotic Shaft Material and/or Hardware, Custom Colors, Synthetic Surface Veil, Inlet / Outlet Transitions, and Custom Resin Formulations Available.

## Virtual Polymer Compounds | VPC Fiberglass

PH 585.735.9668 FX 585.735.9965  
2410 North Forest Road  
Getzville, NY 14068

Production Facility  
222 South Niagara St.  
Lockport, NY 14094

Production Facility  
10478 Ridge Road  
Medina, NY 14103



# Fiberglass Tube Axial Fans

SUPERIOR CORROSION RESISTANCE • MADE IN THE USA

## About VPC Fans

VPC Fiberglass manufactures a complete line of fiberglass fans for its Composite Fan Technology product line. Our fans are designed to achieve maximum corrosion resistance while offering rugged construction, ease of maintenance, and efficient operation. The fiber-reinforced plastic (FRP) fan is well recognized for its proven success in handling a wide range of corrosive applications, notably in the chemical processing industry and wastewater treatment plants.



## Standard Features: **MODEL TA**

**Size:** 13 sizes available (12" to 60")

**Capacities:** Up to 90,000 CFM

**Pressures:** Up to 5" SP

**Color:** Standard finish is gray. Additional colors available upon request.

- Solid fiberglass wheel and housing constructed out of premium grade vinyl ester resin
- All resin is fire retardant with a Class I flame spread of 25 or less per ASTM E-84
- C-glass surface veil on airstream surfaces
- Exterior gel coat contains UV inhibitor
- EPDM double lip shaft seal
- 316 SST shaft and hardware
- V-belt drive with 1.5 S.F. minimum
- Flanged inlet and outlet
- Fiberglass weather cover/guard
- Heavy-duty bearings
- Extended grease lines
- Adjustable motor plate for belt tensioning
- TEFC premium efficient motor

### Design & Support Services:

We offer engineering and design support to ensure a fan that meets the requirements for your application.

## Optional Accessories:

Static Grounding of Airstream, Disconnect Switches (factory mounted), Inlet/Outlet Guards, Exotic Shaft Material and/or Hardware Available, Custom Colors, Synthetic Surface Veil, Inlet/Outlet Transitions, and Custom Resin Formulations Available Upon Request.

## Virtual Polymer Compounds | VPC Fiberglass

PH 585.735.9668 FX 585.735.9965  
2410 North Forest Road  
Getzville, NY 14068

Production Facility  
222 South Niagara St.  
Lockport, NY 14094

Production Facility  
10478 Ridge Road  
Medina, NY 14103



# Fiberglass Inline Centrifugal Fan

SUPERIOR CORROSION RESISTANCE • MADE IN THE USA

## About VPC Fans

VPC Fiberglass manufactures a complete line of fiberglass fans for its Composite Fan Technology product line. Our fans are designed to achieve maximum corrosion resistance while offering rugged construction, ease of maintenance, and efficient operation. The fiber-reinforced plastic (FRP) fan is well recognized for its proven success in handling a wide range of corrosive applications, notably in the chemical processing industry and wastewater treatment plants.



## Standard Features: **MODEL ILC**

**Size:** 6 sizes available (12" to 30")

**Capacities:** Up to 20,000 CFM

**Pressures:** Up to 9" SP

**Color:** Standard finish is gray. Additional colors available upon request.

- Solid fiberglass wheel and housing constructed out of premium grade vinyl ester resin
- All resin is fire retardant with a Class I flame spread of 25 or less per ASTM E-84
- C-glass surface veil on airstream surfaces
- Exterior gel coat contains UV inhibitor
- EPDM double lip shaft seal
- 316 SST shaft and hardware
- V-belt drive with 1.5 S.F. minimum
- Flanged inlet and outlet
- Fiberglass weather cover/guard
- Heavy-duty bearings
- Extended grease lines
- Adjustable motor plate for belt tensioning
- TEFC premium efficient motor

### Design & Support Services:

We offer engineering and design support to ensure a fan that meets the requirements for your application.

## Optional Accessories

Static Grounding of Airstream, Disconnect Switches (Factory Mounted), Inlet/Outlet Guards, Exotic Shaft Material and/or Hardware Available, Custom Colors, Synthetic Surface Veil, Inlet/Outlet Transitions, and Custom Resin Formulations Available.

### Virtual Polymer Compounds | VPC Fiberglass

PH 585.735.9668 FX 585.735.9965  
2410 North Forest Road  
Getzville, NY 14068

Production Facility  
222 South Niagara St.  
Lockport, NY 14094

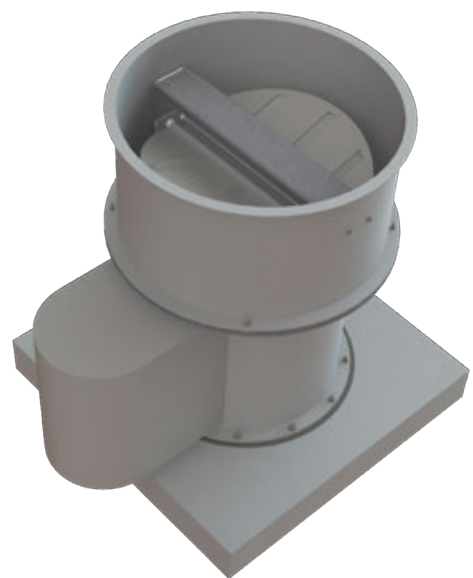
Production Facility  
10478 Ridge Road  
Medina, NY 14103

# Fiberglass Tube Axial Upblast Fans

SUPERIOR CORROSION RESISTANCE • MADE IN THE USA

## About VPC Fans

VPC Fiberglass manufactures a complete line of fiberglass fans for its Composite Fan Technology product line. Our fans are designed to achieve maximum corrosion resistance while offering rugged construction, ease of maintenance, and efficient operation. The fiber-reinforced plastic (FRP) fan is well recognized for its proven success in handling a wide range of corrosive applications, notably in the chemical processing industry and wastewater treatment plants.





## Standard Features: **MODEL TAUB**

**Size:** 13 sizes available (12" to 60")

**Capacities:** Up to 90,000 CFM

**Pressures:** Up to 2" SP

**Color:** Standard finish is gray. Additional colors available upon request.

- Solid fiberglass wheel and housing constructed out of premium grade vinyl ester resin
- All resin is fire retardant with a Class I flame spread of 25 or less per ASTM E-84
- C-glass surface veil on airstream surfaces
- Exterior gel coat contains UV inhibitor
- EPDM double lip shaft seal
- 316 SST shaft and hardware
- V-belt drive with 1.5 S.F. minimum
- Fiberglass stack cap with butterfly dampers and curb cap
- Fiberglass weather cover/guard
- Heavy-duty bearings
- Extended grease lines
- Adjustable motor plate for belt tensioning
- TEFC premium efficient motor

### Design & Support Services:

We offer engineering and design support to ensure a fan that meets the requirements for your application.

## Optional Accessories:

Static Grounding of Airstream, Disconnect Switches (factory mounted), Inlet/Outlet Guards, Exotic Shaft Material and/or Hardware Available, Custom Colors, Synthetic Surface Veil, Inlet/Outlet Transitions and Custom Resin Formulations Available Upon Request.

## Virtual Polymer Compounds | VPC Fiberglass

PH 585.735.9668 FX 585.735.9965  
2410 North Forest Road  
Getzville, NY 14068

Production Facility  
222 South Niagara St.  
Lockport, NY 14094

Production Facility  
10478 Ridge Road  
Medina, NY 14103





# Fiberglass Wall Box Fans

SUPERIOR CORROSION RESISTANCE • MADE IN THE USA

## About VPC Fans

VPC Fiberglass manufactures a complete line of fiberglass fans for its Composite Fan Technology product line. Our fans are designed to achieve maximum corrosion resistance while offering rugged construction, ease of maintenance, and efficient operation. The fiber-reinforced plastic (FRP) fan is well recognized for its proven success in handling a wide range of corrosive applications, notably in the chemical processing industry and wastewater treatment plants.



## Standard Features: **MODEL WB**

**Size:** 13 sizes available (12" to 60")

**Capacities:** Up to 90,000 CFM

**Pressures:** Up to 2" SP

**Color:** Standard finish is gray. Additional colors available upon request.

- Solid fiberglass wheel and housing constructed out of premium grade vinyl ester resin
- All resin is fire retardant with a Class I flame spread of 25 or less per ASTM E-84
- C-glass surface veil on airstream surfaces
- Exterior gel coat contains UV inhibitor
- Fiberglass motor mount
- Flanged fiberglass wall sleeve
- TEFC premium efficient motor

### Design & Support Services:

We offer engineering and design support to ensure a fan that meets the requirements for your application.

## Optional Accessories:

Fiberglass Damper, Static Grounding of Airstream, Disconnect Switches, Inlet/Outlet Guards, FRP Weather Hood, Custom Colors, Synthetic Surface Veil, Custom Resin Formulations Available.

## Virtual Polymer Compounds | VPC Fiberglass

PH 585.735.9668 FX 585.735.9965  
2410 North Forest Road  
Getzville, NY 14068

Production Facility  
222 South Niagara St.  
Lockport, NY 14094

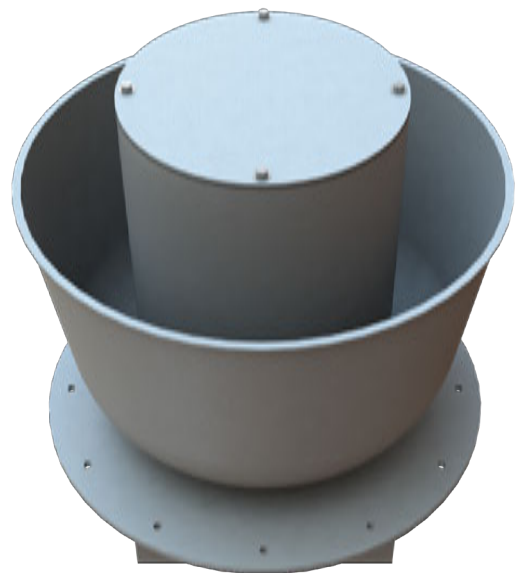
Production Facility  
10478 Ridge Road  
Medina, NY 14103

# Fiberglass Upblast Centrifugal Fan

SUPERIOR CORROSION RESISTANCE • MADE IN THE USA

## About VPC Fans

VPC Fiberglass manufactures a complete line of fiberglass fans for its Composite Fan Technology product line. Our fans are designed to achieve maximum corrosion resistance while offering rugged construction, ease of maintenance, and efficient operation. The fiber-reinforced plastic (FRP) fan is well recognized for its proven success in handling a wide range of corrosive applications, notably in the chemical processing industry and wastewater treatment plants.



## Standard Features: **MODEL CVC**

**Size:** 6 sizes available (10 " to 30 ")

**Capacities:** Up to 19,000 CFM

**Pressures:** Up to 3" SP

**Color:** Standard finish is gray. Additional colors available upon request.

- Solid fiberglass wheel and housing constructed out of premium grade vinyl ester resin
- All resin is fire retardant with a Class I flame spread of 25 or less per ASTM E-84
- C-glass surface veil on airstream surfaces
- Exterior gel coat contains UV inhibitor
- EPDM double lip shaft seal
- 316 SST shaft and hardware
- V-belt drive with 1.5 S.F. minimum
- FRP curb cap or wall sleeve
- Heavy-duty bearings
- TEFC premium efficient motor

### Design & Support Services:

We offer engineering and design support to ensure a fan that meets the requirements for your application.

## Optional Accessories

Static Grounding of Airstream, Roof Curb, Dampers, Disconnect Switches, Inlet/Outlet Guards, Exotic Shaft Material and/or Hardware Available, Custom Colors, Synthetic Surface Veil, and Custom Resin Formulations Available.

## Virtual Polymer Compounds | VPC Fiberglass

PH 585.735.9668 FX 585.735.9965  
2410 North Forest Road  
Getzville, NY 14068

Production Facility  
222 South Niagara St.  
Lockport, NY 14094

Production Facility  
10478 Ridge Road  
Medina, NY 14103



# Fiberglass Tube Axial Hooded Fans

SUPERIOR CORROSION RESISTANCE • MADE IN THE USA

## About VPC Fans

VPC Fiberglass manufactures a complete line of fiberglass fans for its Composite Fan Technology product line. Our fans are designed to achieve maximum corrosion resistance while offering rugged construction, ease of maintenance, and efficient operation. The fiber-reinforced plastic (FRP) fan is well recognized for its proven success in handling a wide range of corrosive applications, notably in the chemical processing industry and wastewater treatment plants.



## Standard Features: **MODEL TAHD**

**Size:** 13 sizes available (12" to 60")

**Capacities:** Up to 90,000 CFM

**Pressures:** Up to 2" SP

**Color:** Standard finish is gray. Additional colors available upon request.

- Solid fiberglass wheel and housing constructed out of premium grade vinyl ester resin
- All resin is fire retardant with a Class I flame spread of 25 or less per ASTM E-84
- C-glass surface veil on airstream surfaces
- Exterior gel coat contains UV inhibitor
- EPDM double lip shaft seal
- 316 SST shaft and hardware
- V-belt drive with 1.5 S.F. minimum
- Fiberglass hood and curb cap
- Fiberglass weather cover/guard
- Heavy-duty bearings
- Extended grease lines
- Adjustable motor plate for belt tensioning
- TEFC premium efficient motor

### Design & Support Services:

We offer engineering and design support to ensure a fan that meets the requirements for your application.

## Optional Accessories:

Static Grounding of Airstream, Disconnect Switches (factory mounted), Inlet/Outlet Guards, Exotic Shaft Material and/or Hardware Available, Custom Colors, Synthetic Surface Veil, Inlet/Outlet Transitions, and Custom Resin Formulations Available Upon Request.

## Virtual Polymer Compounds | VPC Fiberglass

PH 585.735.9668 FX 585.735.9965  
2410 North Forest Road  
Getzville, NY 14068

Production Facility  
222 South Niagara St.  
Lockport, NY 14094

Production Facility  
10478 Ridge Road  
Medina, NY 14103



# Fiberglass Fixed Louvers

SUPERIOR CORROSION RESISTANCE • MADE IN THE USA

## About VPC Louvers

VPC Fiberglass louvers provide effective air intake, exhaust, pressure relief control, and long service life for corrosive applications with demanding architectural, structural, and environmental conditions. Our fiberglass (FRP) louvers are manufactured using a chemical and corrosion-resistant isophthalic fire-retardant resin with a UV inhibitor, providing the strength and durability to meet the most extreme requirements for your application.



## Standard Construction

**Construction:** Pultruded FRP in accordance with ASTM D4385, all resin is fire retardant with a class I flame spread of 25 or less, C-glass surface veil on airstream, all exterior surfaces contain UV inhibitor.

**Frame:** 6" heavy-duty C-Channel.

**Blade:** 45° "k" style 0.25" thick, Spaced 6" center-to-center.

**Temperature Limit:** 200°F

**Hardware:** 316 stainless steel.

**Color:** Standard finish gray color. Additional colors available upon request.

### Sizes: Available in Standard and Custom Sizes

- Minimum Size: 12" W X 12" H
- Maximum Single Section Size: 72" W X 72" H

## Features

**Screen:** 1/2" Polyethylene mesh, polyethylene insect screen, or stainless-steel screen.

**Mounting:** Angle mount or flange mount available.

## MARKETS WE SERVE



WATER & WASTEWATER



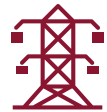
PULP & PAPER



CHEMICAL



OIL & GAS



POWER

## Virtual Polymer Compounds | VPC Fiberglass

PH 585.735.9668 FX 585.735.9965  
2410 North Forest Road  
Getzville, NY 14068

Production Facility  
222 South Niagara St.  
Lockport, NY 14094

Production Facility  
10478 Ridge Road  
Medina, NY 14103



# Fiberglass Adjustable Louvers

SUPERIOR CORROSION RESISTANCE - MADE IN THE USA

## About VPC Louvers

VPC Fiberglass louvers provide effective air intake, exhaust, pressure relief control, and long service life for corrosive applications with demanding architectural, structural, and environmental conditions. Our fiberglass (FRP) louvers are manufactured using a chemical and corrosion-resistant isophthalic fire-retardant resin with a UV inhibitor, providing the strength and durability to meet the most extreme requirements for your application.



## Standard Construction

**Construction:** Pultruded FRP in accordance with ASTM D4385, all resin is fire retardant with a class I flame spread of 25 or less, C-glass surface veil on airstream, all exterior surfaces contain UV inhibitor.

**Frame:** 6" heavy-duty C-Channel

**Blade:** 45° "k" style 0.25" thick, spaced 6" center-to-center.

**Linkage:** Fiberglass reinforced polypropylene brackets and FRP control arm.

**Axle:** 0.625" diameter fiberglass reinforced polypropylene.

**Bearings:** Iglide® high wearing resistance flanged bushing.

**Operating Range:** Opens to 45°

**Temperature Limit:** 200°F

**Hardware:** 316 stainless steel.

**Color:** Standard finish gray color.  
(Custom colors available upon request)

**Sizes:** Available in Standard and Custom Sizes

- Minimum Size: 12" W X 12" H
- Maximum Single Section Size: 72" W X 72" H

## Features

**Screen:** 1/2" Polyethylene mesh, polyethylene insect screen, or stainless-steel screen.

**Mounting:** Angle mount or flange mount available.

## MARKETS WE SERVE



WATER & WASTEWATER



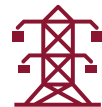
PULP & PAPER



CHEMICAL



OIL & GAS



POWER

## Virtual Polymer Compounds | VPC Fiberglass

PH 585.735.9668 FX 585.735.9965  
2410 North Forest Road  
Getzville, NY 14068

Production Facility  
222 South Niagara St.  
Lockport, NY 14094

Production Facility  
10478 Ridge Road  
Medina, NY 14103



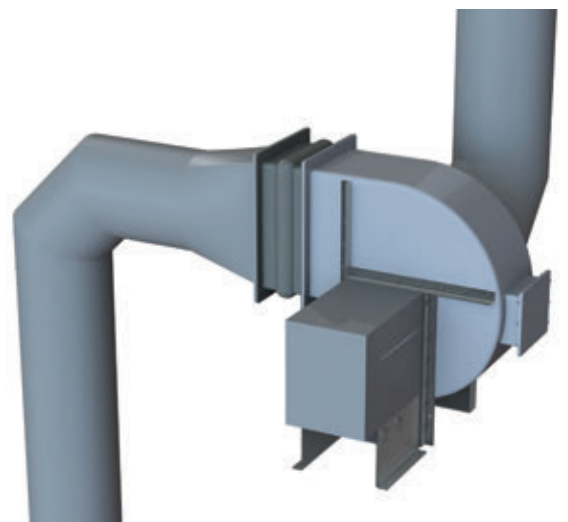


# Fiberglass Duct

SUPERIOR CORROSION RESISTANCE • MADE IN THE USA

## About VPC Duct

Fiberglass ductwork from Primary Plastics, a division of VPC Fiberglass, is designed to handle a variety of corrosive and static pressure requirements. Our duct is manufactured using a filament-wound process and is built according to SMACNA standards. Standard tooling up to 72" diameter allows for a highly efficient production turnaround.



## Standard Construction

FRP ductwork is the ideal solution for industrial and commercial sites and can be customized to meet project requirements. Our engineering team will work closely with you to help select the proper components and materials for your system.

### EFFICIENCY



### QUALITY



### SERVICE



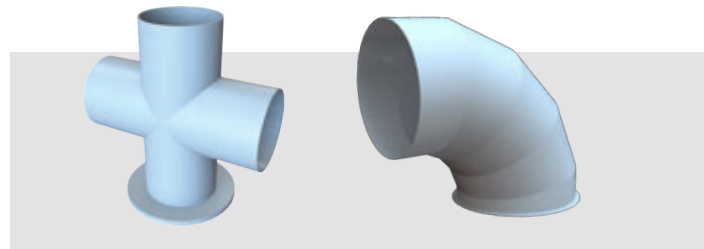
### BENEFITS OF FRP DUCT

- Superior corrosion resistance
- Strong and durable
- Lightweight and versatile
- Field installed with simple tools
- Flame resistant
- Customizable

## Configuration Options

VPC offers round ductwork in diameters of 2" to 96," and a wide variety of rectangular duct sizes. Additionally, we offer duct fittings, including:

- Tees
- Round Dampers
- Y Branches
- Hoods
- Elbows
- Crosses
- Square Dampers
- Concentric Reducers
- Eccentric Reducers



### Virtual Polymer Compounds | VPC Fiberglass

PH 585.735.9668 FX 585.735.9965  
2410 North Forest Road  
Getzville, NY 14068

Production Facility  
222 South Niagara St.  
Lockport, NY 14094

Production Facility  
10478 Ridge Road  
Medina, NY 14103