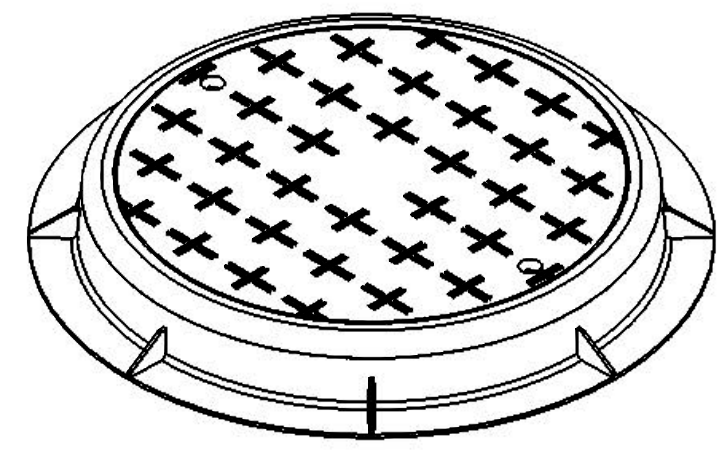
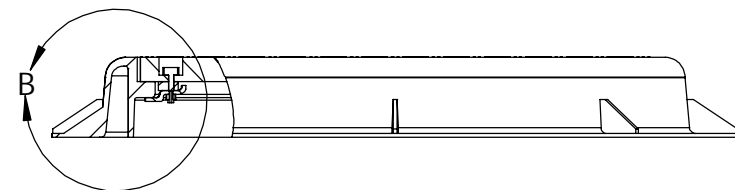


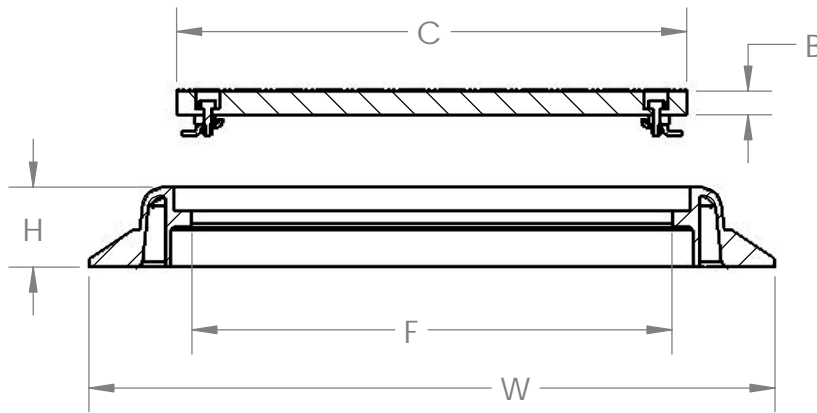
PLAN VIEW



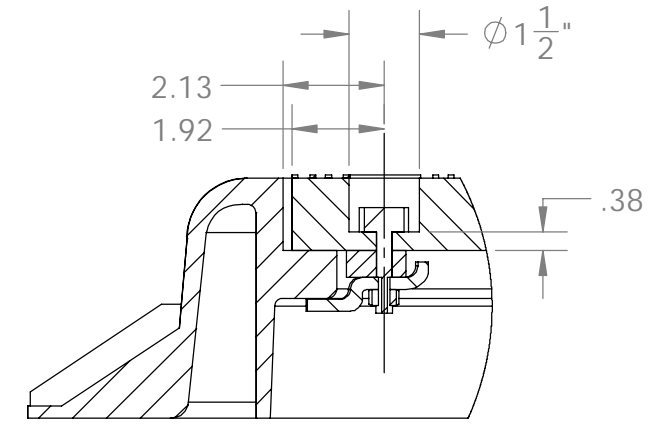
ISOMETRIC VIEW



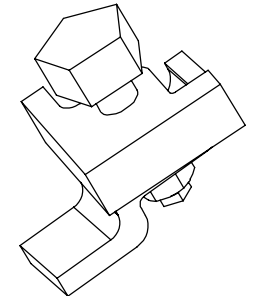
SIDE VIEW CUT AWAY



SECTION A-A  
(COVER REMOVED FOR CLARITY)



DETAIL B  
SCALE 1 : 4



DETAIL  
QUARTER TURN PADDLE LOCK

PRODUCT SERIES	B	C	F	H	W	TOTAL WT. LBS	COVER WT. LBS
2400	1.00	23.90	21.80	4.25	34.88	54	28
2600	1.25	26.38	24.25	4.25	37.00	60	30
3200	1.5	31.88	30.00	5.0	42.88	115	55
3800	1.5	37.88	36.00	6.25	47.00	140	75

PROPRIETARY AND CONFIDENTIAL  
THE INFORMATION CONTAINED IN THIS DRAWING IS THE SOLE PROPERTY OF VIRTUAL POLYMER COMPOUNDS, LLC. ANY REPRODUCTION IN PART OR AS A WHOLE WITHOUT THE WRITTEN PERMISSION OF VIRTUAL POLYMER COMPOUNDS, LLC IS PROHIBITED.

UNLESS OTHERWISE SPECIFIED:  
DIMENSIONS ARE IN INCHES  
TOLERANCES:  
FRACTIONAL ±  
ANGULAR: MACH ± BEND ±  
TWO PLACE DECIMAL ±  
THREE PLACE DECIMAL ±

INTERPRET GEOMETRIC TOLERANCING PER:  
MATERIAL FRP FINISH

DO NOT SCALE DRAWING

NAME	DATE
LVR	2/21/2021
CHECKED	
ENG APPR.	
MFG APPR.	
Q.A.	

3rd ANGLE PROJECTION

**VPC FIBERGLASS** 10478 Ridge Rd., Medina NY 14103  
Toll Free: 888-290-9522 Phone: 585-735-9668

TITLE: MANHOLE COVER WITH QUARTER TURN PADDLE LOCK

Project: FRP MANHOLE COVER

SIZE B	DWG. NO.	REV A
--------	----------	-------

SCALE: 1:12 Weight 68.74 SHEET 1 OF 1